

Product Information Vacuum Regulator C 2213

Line systems in negative pressure

In gas installations, the danger arising from a leaked medium can be significantly reduced by using line systems in vacuum. A possible leak in lines run with vacuum leads to an immediate stop in the medium's flow. The C 2213 automatic vacuum controller fulfils this safety function. It is connected directly to bottles or lines that are under pressure and only releases the gas further in the line system in a vacuum.

Vacuum controllers are used in swimming pools, water works, for water purification processes and in the most diverse industrial applications.

Reliability thanks to high quality

The C 2213 can be used for an equal withdrawal of chlorine gas, hydrogen chloride, carbon dioxide or sulfur dioxide. It fulfils the highest safety standards. Its diverse connections for gas containers and line systems, its drive side manometer and residual pressure safety device make it versatile in its application. A heated moisture eliminator on the drive side in the inlet valve of the C 2213 is available as an option for its use with gas bottles.

The C 2213 is designed both for individual and also for parallel use of several vacuum controllers operated by batteries.

Construction of the finest

At the transition between positive pressure in the gas container and the negative pressure in the line, the C 2213 vacuum controller automatically closes with loss of vacuum in the line. It then works without using auxiliary power and is therefore active in the event of a decreased pressure in the line system without a time lag.

A flow limiter prevents the gas container from freezing due to excessive intake quantities. If the pressure of the gas container falls under 0.2 bar over pressure when it is being emptied, the residual pressure device closes and allows the simple change of the gas container without disturbing the line system. This simultaneously prevents the humidity from the air entering the system and into the gas container.

The high-quality and chemically stable materials with which the components of the C 2213 are made guarantee long durability.

In short

- Output with chlorine gas: up to 10 kg/hr
- Compact design
- Safe operation with vacuum technology
- Flow limiter
- Gas filter
- Available with all current gas connections
- Can be connected directly to gas bottles or collecting pipes



Technical data

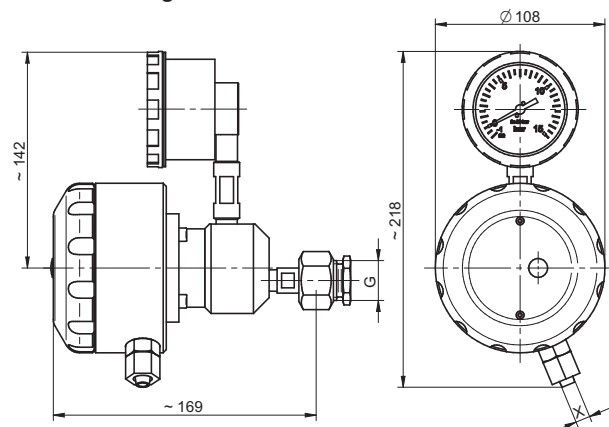
Output with chlorine gas	up to 10 kg/hr (with flow limiter <1 kg/hr)
Inlet pressure	max. 16 bar
Pressure connection	Union nut (see table on page 2)
Vacuum connection	Hose clamp connection for PE-hose (see table on page 2)
Inlet valve material	Monel, brass and Hastelloy
Casings material	PVC
Membrane material	FPM
Manometer	-1...15 bar
Empty status signal with the contact manometer	alternative to manometer
Dimensions (W x H x D)	108 x 218 x 169 mm
Weight	approx. 2.3 kg

Product Information Vacuum Regulator C 2213

Model variants

Gas connection "G"	Connection "X"	Order no.		
		Manometer -1..0..15 bar	Contact manometer	without manometer
1"	d 8/12	20401303	20401305	20401301
G 5/8	d 8/12	20401321	20401322	20401320
G 3/4	d 8/12	20401315	20401316	20401314
1" with increased residual pressure	d 8/12	20401304	20401306	20401302
1"	d 12/16	20401309	20401311	20401307
G 5/8	d 12/16	20401324	20401325	20401323
G 3/4	d 12/16	20401318	20401319	20401317
1" with increased residual pressure	d 12/16	20401310	20401312	20401308

Dimensional figure



All dimensions in mm

Accessories

The following accessories are available as optional for its installation and operation:

Description	Order no.
Safety blow off valve for C 2213, connections d 8/12	32843
T-fitting, connections 3 x d 8/12	33661
Wall bracket, PVC with connection 1"	38909
Wall bracket, PVC with connection G 3/4	38911
Wall bracket, PVC with connection G 5/8	38910
Collecting pipe for vacuum operation 3-way	22300038
Collecting pipe for vacuum operation 6-way	22300041
Silicone grease medium viscosity	35537
Accessory set: 5 m PE-hose d 8/12, fastening for hose, bottle with ammonia solution	22412

Servicing kits

Description	Order no.
For vacuum regulator C 2213 without inlet valve	35039
Spare parts set for inlet valve C 2213	38619
Spare parts set for inlet valve C 2213 with increased residual pressure	38924

Caution! The connection seals are not included in the servicing kits for the intake valves!

Connection seals

Connection thread	Standard	Order no.
W1"	DIN 477	81834
G 5/8	BS 341	81832
G 3/4	AS 2473	81833
1.030-14NGO	CGA V-1 (660)	81836
Yoke	CGA V-1 (820)	81837