

Product Information Vacuum Regulator C 2214

Line systems in negative pressure

In gas installations, the danger arising from a leaked medium can be significantly reduced by using line systems in vacuum. A possible leak in lines run with vacuum leads to an immediate stop in the medium's flow. The C 2214 automatic vacuum controller fulfils this safety function. It is connected directly to bottles or lines that are under pressure and only releases the gas further in the line system in a vacuum.

Vacuum controllers are used in swimming pools, water works, for water purification processes and in the most diverse industrial applications.

Reliability thanks to high quality

The C 2214 can be used for an equal withdrawal of chlorine gas, hydrogen chloride, carbon dioxide or sulfur dioxide. It fulfils the highest safety standards. Its diverse connections for gas containers and line systems, its drive side manometer and residual pressure safety device make it versatile in its application. A heated moisture eliminator on the drive side in the intake valve of the C 2214 is available as an option for its use with gas bottles.

The C 2214 is designed to be operated independently. It can also be operated by batteries.

A safety relief valve is integrated in the unit and prevents an inadmissible increase in pressure in the following vacuum line system. The optimal amount of gas metered out can be set at the C 2214 with a metering valve and flow meter.

Construction of the finest

At the transition between positive pressure in the gas container and the negative pressure in the line, the C 2214 vacuum controller automatically closes with loss of vacuum in the line. It then works without using auxiliary power and is therefore active in the event of a decreased pressure in the line system without a time lag. The relief valve opens when there is inadmissible negative pressure on the vacuum side and it lets the gas pass through a separate connection.

A flow limiter prevents the gas container from freezing due to excessive intake quantities. If the pressure of the gas container falls under 0.2 bar over pressure when it is being emptied, the residual pressure device closes and allows the simple change of the gas container without disturbing the line system. This simultaneously prevents the humidity from the air entering the system and into the gas container.

The high-quality and chemically stable materials with which the components of the C 2214 are made guarantee long durability.

In short

- Output with chlorine gas: up to 4 kg/hr
- Gas filter
- Safety relief valve
- Flow meter with manual setting
- Residual pressure safety device



Technical data

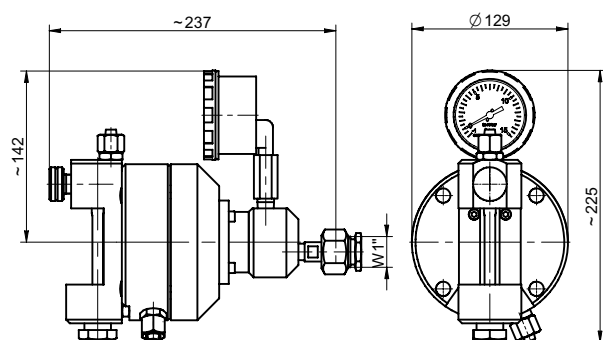
Output with chlorine gas	4 g/hr ... 4 kg/hr
Inlet pressure	max. 16 bar
Connection Pressure connection	Union nut BSW 1"
Connection vacuum connection	Hose clamp 8/12
Inlet valve material	Monel, brass, Hastelloy
Casings material	PVC
Membrane material	FPM
Manometer	-1...15 bar
Empty status signal via the contact manometer	alternative to manometer
Dimensions (W x H x D)	129 x 225 x 237 mm
Weight	approx. 2.7 kg

Product Information Vacuum Regulator C 2214

Model variants

Product	Metering range	Order no.					
		with manometer			without manometer		
		1"	G 5/8	G 3/4	1"	G 5/8	G 3/4
C 2214	1...25 g Cl ₂ /hr	20401400	20401408	20401416	20401440	20401448	20401456
C 2214	4...80 g Cl ₂ /hr	20401401	20401409	20401417	20401441	20401449	20401457
C 2214	10...200 g Cl ₂ /hr	20401402	20401410	20401418	20401442	20401450	20401458
C 2214	25...500 g Cl ₂ /hr	20401403	20401411	20401419	20401443	20401451	20401459
C 2214	50...1000 g Cl ₂ /hr	20401404	20401412	20401420	20401444	20401452	20401460
C 2214	100...2000 g Cl ₂ /hr	20401405	20401413	20401421	20401445	20401453	20401461
C 2214	125...2500 g Cl ₂ /hr	20401406	20401414	20401422	20401446	20401454	20401462
C 2214	200...4000 g Cl ₂ /hr	20401407	20401415	20401423	20401447	20401455	20401463
C 2214	without flow meter	20401480	20401481	20401482	20401485	20401486	20401487

Dimensional figure



All dimensions in mm

Accessories

The following accessories are available as optional for its installation and operation:

Description	Order no.
Wall bracket, PVC with connection 1"	38909
Wall bracket, PVC with connection G 3/4	38911
Wall bracket, PVC with connection G 5/8	38910
Collecting pipe for vacuum operation 3-way	22300038
Collecting pipe for vacuum operation 6-way	22300041
Silicone grease medium viscosity	35537
Accessory set: 5 m PE-hose d 8/12, fastening for hose, bottle with ammonia solution	22412

Servicing kits

Description	Order no.
Vacuum regulator C 2214 without intake valve	35040
Spare parts set for inlet valve C 2214	38619
Spare parts set for inlet valve C 2214 with increased residual pressure	38924

Caution! The connection seals are not included in the servicing kits for the intake valves!

Connection seals

Connection thread	Standard	Order no.
W1"	DIN 477	81834
G 5/8	BS 341	81832
G 3/4	AS 2473	81833
1.030-14NGO	CGA V-1 (660)	81836
Yoke	CGA V-1 (820)	81837