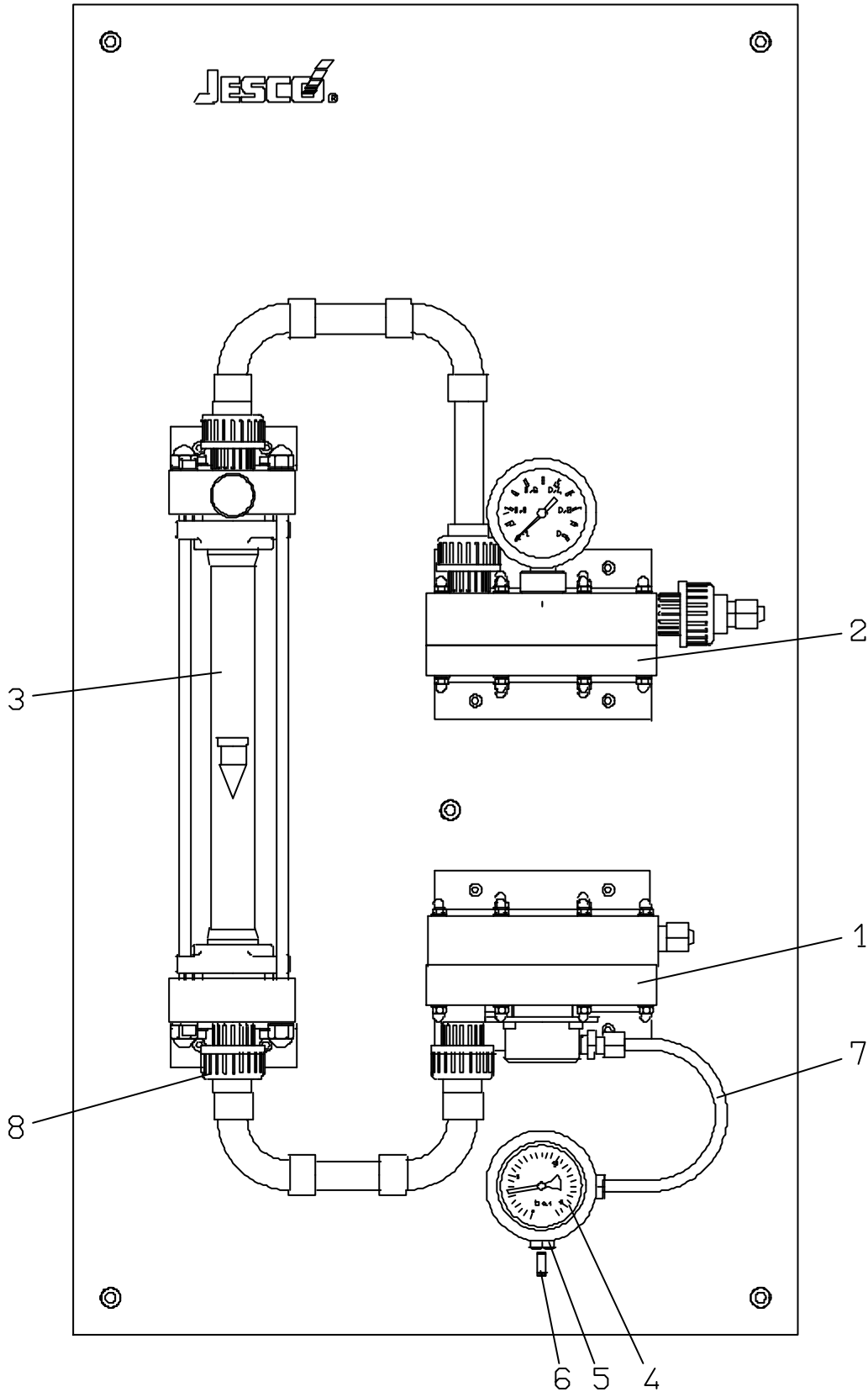
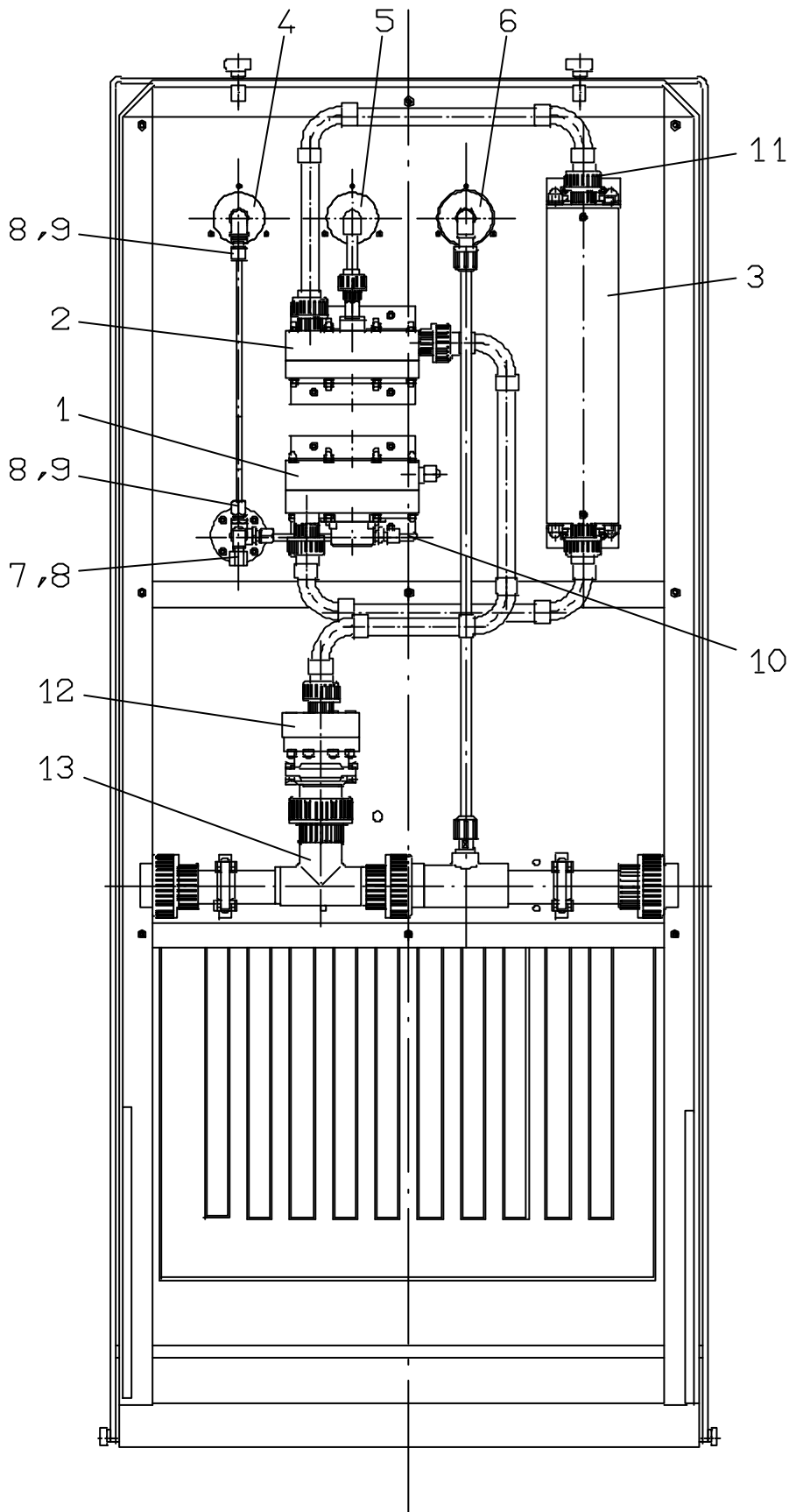


Chlorinator C 2525

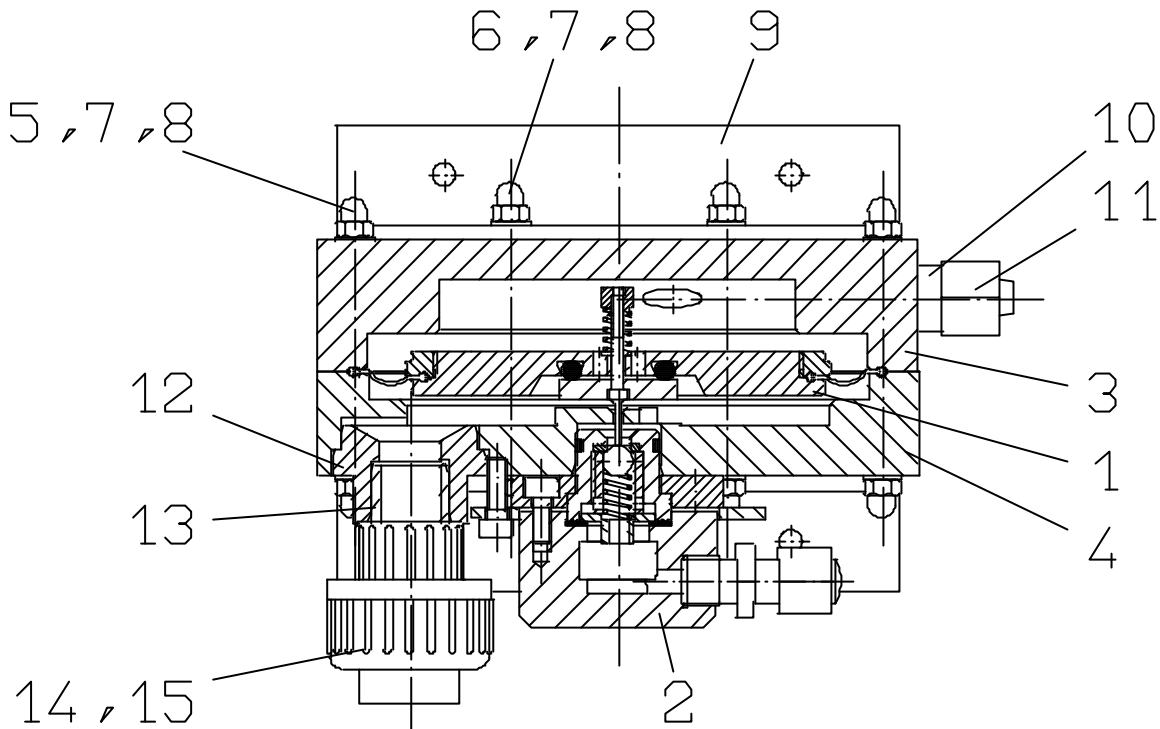


| Item | Description | Qty. | 5 kg/h | 10 kg/h | 15 kg/h | 25 kg/h |
|--|--|------|----------|----------|----------|----------|
| 1 | Vacuum regulator C2525-V (see ET 2 02 25 / 5) | 1 | 20231834 | | | |
| 2 | Backpressure regulator C2525-H (see ET 2 02 25 / 6) incl. vacuum gauge | 1 | 20231835 | | | |
| 3 | Measuring glass incl. holder (see ET 2 02 25 / 9) | 1 | 29274 | 29275 | 29276 | 31863 |
| 4 | Gauge 0...16 bar for chlorine gas | 1 | 24087129 | | | |
| 5 | Cutting ring connector for copper pipe d 8mm | 3 | 82193 | | | |
| 6 | Supporting sleeve for copper pipe d 8x1mm | 3 | 88180 | | | |
| 7 | Ellbow d 8x1mm | 1 | 34837 | | | |
| 8 | O-ring for screwing DN15/d20 | 5 | 80075 | | | |
| Complete unit C 2525 / WL without ejector and non-return valve | | | 20233530 | 20233531 | 20233532 | 20233533 |
| Spare parts kit for C 2525 without ejector and non-return valve | | | 33578 | | | |
| Complete unit C 2525 / WL incl. ejector and non-return valve | | | 20232422 | 20232423 | 20232424 | 20232425 |
| Spare parts kit for C 2525 incl. ejector and non-return valve | | | 34612 | | | |



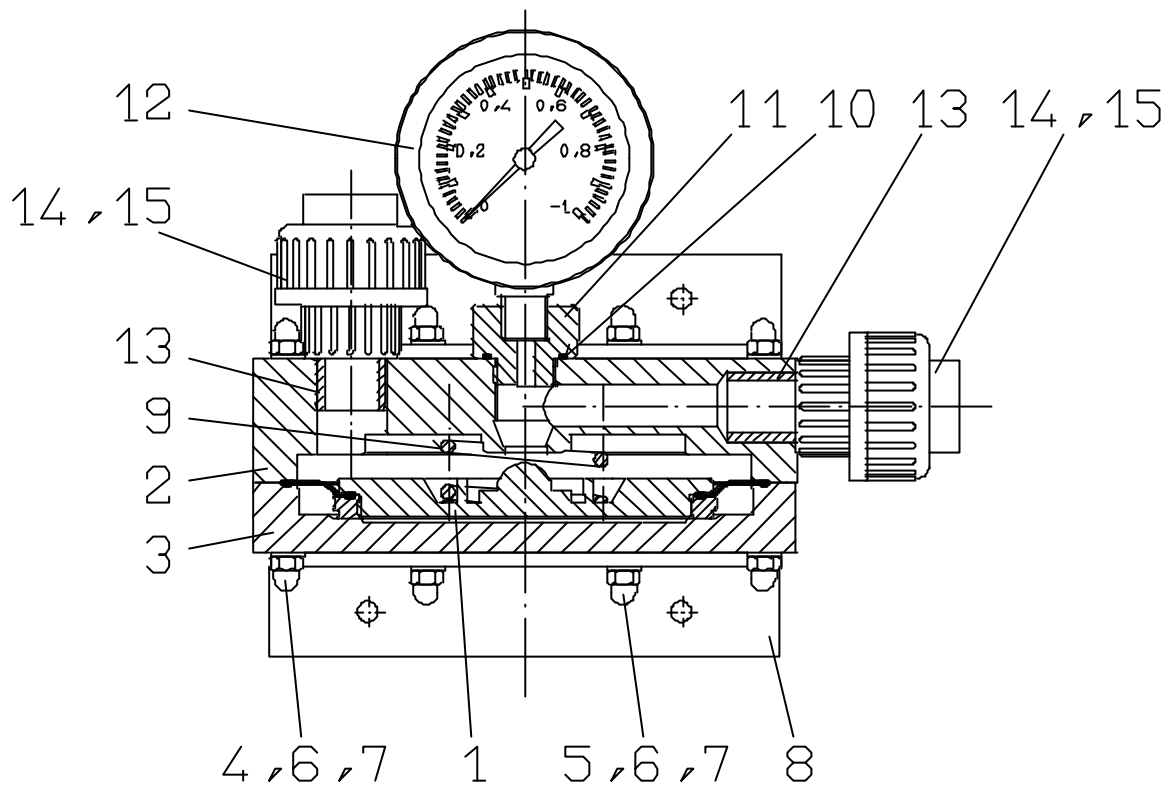
Chlorinator C 2525

| Item | Description | Qty. | 5 kg/h | 10 kg/h | 15 kg/h | 25 kg/h |
|--|--|------|--------------------|--------------------|--------------------|--------------------|
| 1 | Vacuum regulator C2525-V (see ET 2 02 25 / 5) | 1 | 20231834 | | | |
| 2 | Backpressure regulator C2525-H (see ET 2 02 25 / 6) incl. vacuum gauge | 1 | 32615 | | | |
| 3 | Measuring glass incl. holder (see ET 2 02 25 / 9) | 1 | 27477 | 27478 | 27479 | 32595 |
| 4 | Gauge 0...16 bar for chlorine gas | 1 | 87386 | | | |
| 5 | Gauge -1...0 bar for chlorine gas | 1 | 87387 | | | |
| 6 | Gauge 0-16 bar for motive water | 1 | 87385 | | | |
| 7 | Angular (90°) cutting ring connector for copper pipe d 8x1mm | 1 | 82184 | | | |
| 8 | Supporting sleeve for copper pipe d 8x1mm | 5 | 88180 | | | |
| 9 | Straight cutting ring connector for copper pipe d 8x1mm | 4 | 82193 | | | |
| 10 | Ellbow d 8x1mm | 1 | 34838 | | | |
| 11 | O-ring for connector DN15/d20 | 6 | 80075 | | | |
| 12 | Ejector non-return valve (see ET 2 32 01) | 1 | 23232920 | 23232623 | 23232623 | 23232623 |
| 13 | Ejector (see MB 2 31 01) | 1 | 23128948 Type E | 23122256 Type C | 23122256 Type C | 23132451 Type F |
| Complete unit C 2525 / SL without ejector and non-return valve | | | 20233534 | 20233535 | 20233536 | 20233537 |
| Spare parts kit for C 2525 without ejector and non-return valve | | | 33578 | | | |
| Complete unit C 2525 / SL incl. ejector and non-return valve | | | 20232426 | 20232427 | 20232428 | 20232429 |
| Spare parts kit for C 2525 incl. ejector and non-return valve | | | 34612 | | | |



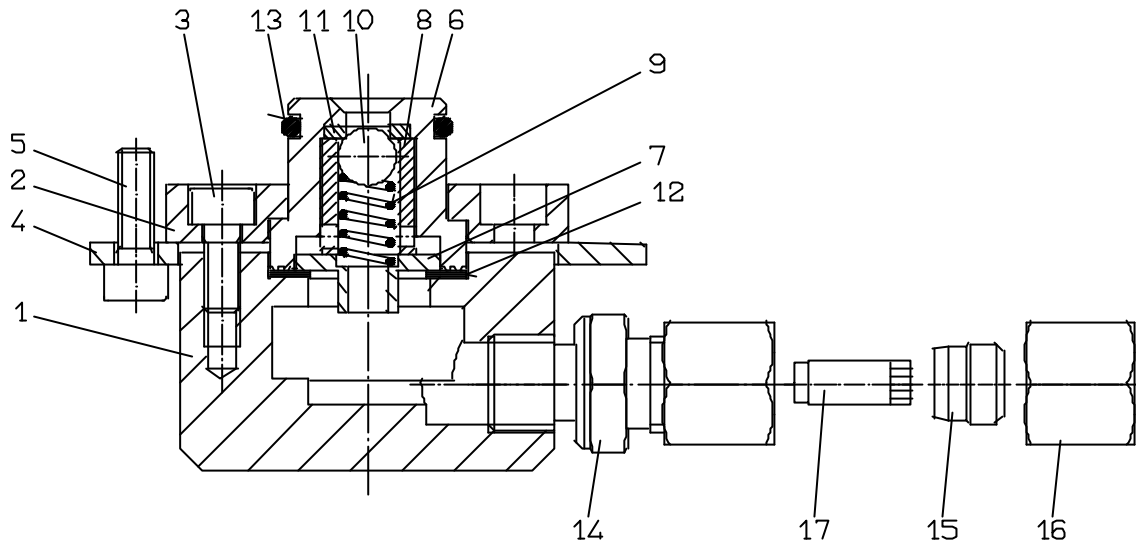
| Item | Description | Material | Qty. | Part No. |
|---|---|----------------------|------|----------|
| 1 | Upper diaphragm disk (see ET 2 02 25 / 8) | misc. | 1 | 23679 |
| 2 | Inlet valve assembly (see ET 2 02 25 / 7) | misc. | 1 | 31855 |
| 3 | Housing, upper part | PVC | 1 | 31854 |
| 4 | Housing, lower part | PVC | 1 | 31928 |
| 5 | Bolt M5x74mm | Brass, nickel-plated | 6 | 31859 |
| 6 | Bolt M5x82mm | Brass, nickel-plated | 2 | 31858 |
| 7 | Cap nut M5 | Brass, chrome-plated | 16 | 83005 |
| 8 | Washer d 5,3 | Brass, nickel-plated | 16 | 84064 |
| 9 | Mounting bracket | PVC | 2 | 10043 |
| 10 | Tubing connection | PVC | 1 | 10366 |
| 11 | Union nut | PVC | 1 | 10365 |
| 12 | Reducing bushing | PVC | 1 | 31856 |
| 13 | Piping piece d 20 | PVC | 1 | 32617 |
| 14 | Connector DN15/d20 | PVC/Viton | 1 | 88172 |
| 15 | O-ring for connector | Viton | 1 | 80075 |
| Vacuum regulator assembly for C2525/WL and C2525/SL | | | | 20231834 |

Backpressure regulator C 2525 - ET 2 02 25 / 6



Chlorinator C 2525

| Item | Description | Material | Qty. | Part No. |
|---|--|----------------------|------|----------|
| 1 | Upper diaphragm (see ET 2 02 25 / 8) | misc. | 1 | 10053 |
| 2 | Housing, upper part | PVC | 1 | 31864 |
| 3 | Housing, lower part | PVC | 1 | 31857 |
| 4 | Bolt M5x66mm | Brass, nickel-plated | 6 | 31860 |
| 5 | Bolt M5x74mm | Brass, chrome-plated | 2 | 31859 |
| 6 | Cap nut M5 | Brass, nickel-plated | 16 | 83005 |
| 7 | Washer d 5,3 | Brass, nickel-plated | 16 | 84064 |
| 8 | Mounting bracket | PVC | 2 | 10043 |
| 9 | Pressure spring | Hastelloy | 1 | 13688 |
| 10 | O-ring | Viton | 1 | 80001 |
| 11 | Gauge connection | PVC | 1 | 29766 |
| 12 | Gauge -1...0 bar (for C2525/WL) | misc. | 1 | 24087250 |
| 13 | Piping piece d 20 | PVC | 2 | 32617 |
| 14 | Connector DN15/d20 | PVC/Viton | 1 | 88172 |
| 15 | O-ring for connector | Viton | 1 | 80075 |
| Vacuum regulator assembly for C 2525/WL (incl. gauge) | | | | 20231835 |
| Vacuum regulator assembly for C 2525/SL (without gauge) | | | | 32615 |



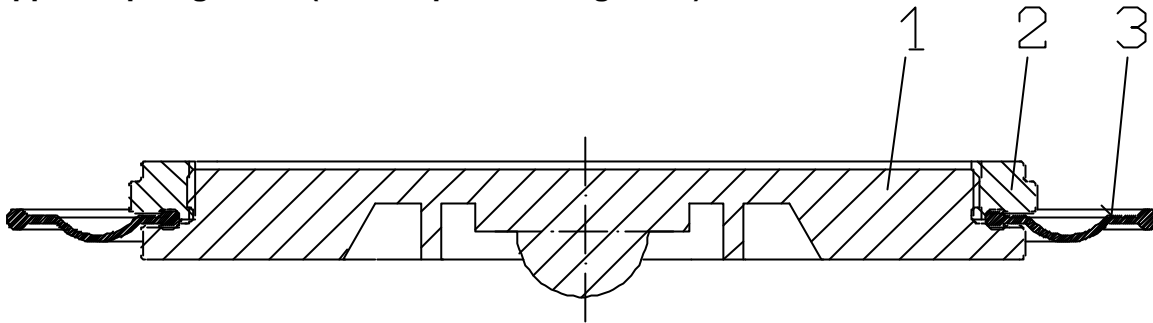
| Item | Description | Material | Qty. | Part No. |
|-------------------------------------|---|----------------------|------|----------|
| 1 | Valve body | Brass, nickel-plated | 1 | 10096 |
| 2 | Clamping ring | Brass, nickel-plated | 1 | 10028 |
| 3 | Screw M5x12 | A2 | 4 | 83606 |
| 4 | Clamping plate | Brass, nickel-plated | 1 | 10027 |
| 5 | Screw M5x16 | A2 | 4 | 83608 |
| 6 | Valve cap | Monel | 1 | 10029 |
| 7 | Spring disk | Brass, nickel-plated | 1 | 10035 |
| 8 | Ball guide | Monel | 1 | 28614 |
| 9 | Pressure spring | Hastelloy | 1 | 10051 |
| 10 | Ball | Ceramic | 1 | 10033 |
| 11 | Valve seat | Viton | 1 | 10032 |
| 12 | Gasket | AF | 1 | 81001 |
| 13 | O-ring | Viton | 1 | 80008 |
| 14 | Cutting ring connector for copper pipe d8 | Brass, tin-plated | 1 | 82193 |
| 15 | Spare cutting ring d8 | Brass, tin-plated | 1 | 19973 |
| 16 | Spare union nut d8 | Brass, tin-plated | 1 | 19974 |
| 17 | Supporting sleeve d 8x1 | Brass | 1 | 88180 |
| Inlet valve assembly | | | | 31855 |
| Spare parts kit, Pos. 9..13, 15..17 | | | | — |

Diaphragm disk

ET 2 02 25 / 8

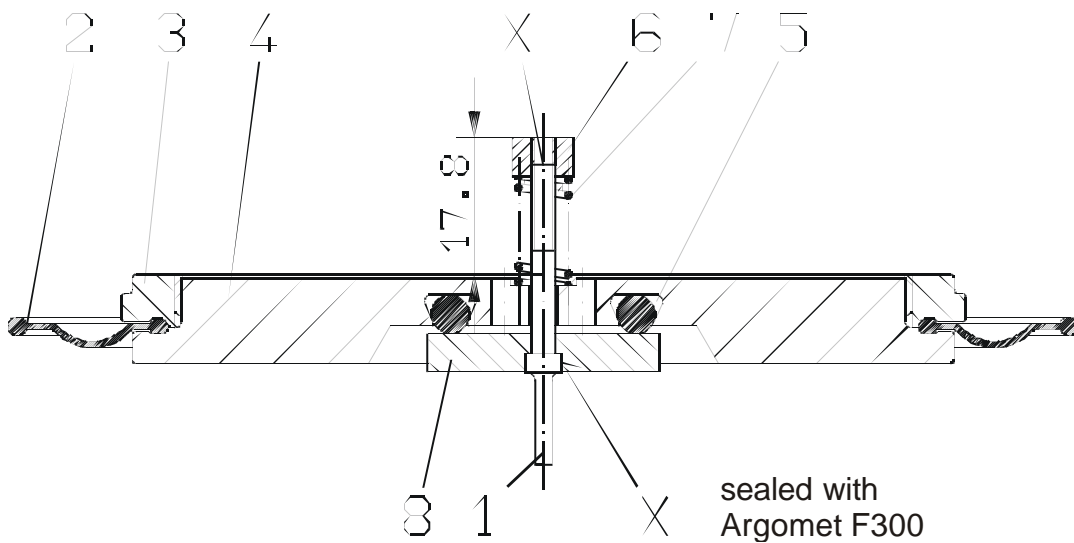
Chlorinator C 2525

Upper diaphragm disk (for backpressure regulator)

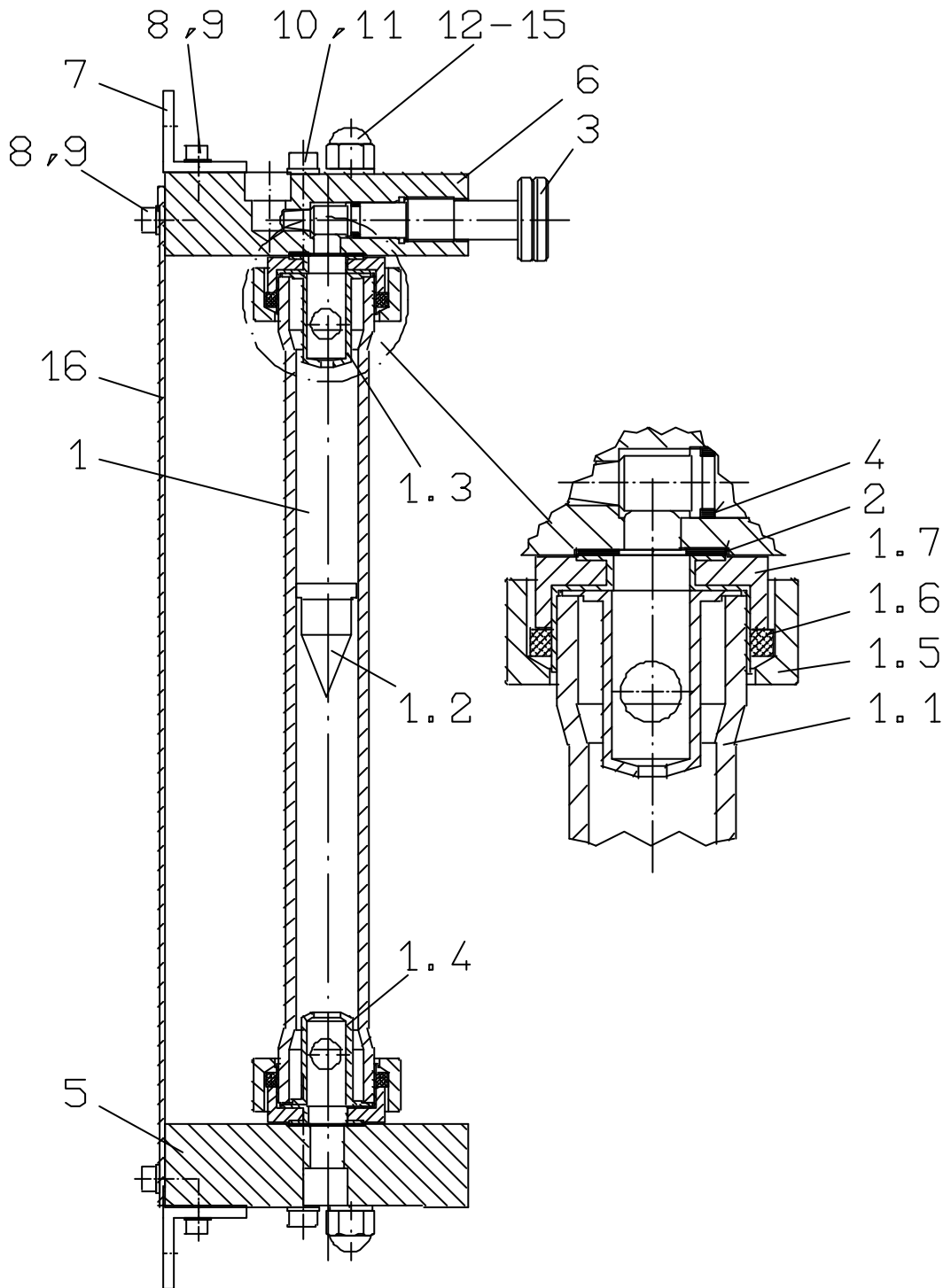


| Item | Qty. | Description | Part No. |
|------|------|-----------------------------------|----------|
| 1 | 1 | Diaphragm disk | 10054 |
| 2 | 1 | Clamping ring | 10055 |
| 3 | 1 | Diaphragm | 81002 |
| 1-3 | 1 | Diaphragm disk assembly, pos. 1-3 | 10053 |

Lower diaphragm disk (for vacuum regulator)



| Item | Qty. | Description | Part No. |
|------|------|-----------------------------------|----------|
| 1 | 1 | Valve pin | 15806 |
| 2 | 1 | Diaphragm | 81002 |
| 3 | 1 | Clamping ring | 10055 |
| 4 | 1 | Diaphragm disk | 15803 |
| 5 | 1 | O-ring | 80601 |
| 6 | 1 | Round nut | 22134 |
| 7 | 1 | Pressure spring | 10051 |
| 8 | 1 | Valve seat | 15805 |
| 1-8 | 1 | Diaphragm disk assembly, pos. 1-8 | 23679 |



Chlorinator C 2525

| Item | Description | Qty. | 5 kg/h | 10 kg/h | 15 kg/h | 25 kg/h |
|---|---|------|--------|---------|---------|---------|
| 1 | Measuring glass with float element, limit stops, sealings and flanges | 1 | 22295 | 22296 | 22297 | 27401 |
| 1.1 | Glass body | 1 | 23879 | 23880 | 23881 | 27406 |
| 1.2 | Float element | 1 | 34283 | 23878 | | |
| 1.3 | Top limit stop | 1 | 23876 | | | |
| 1.4 | Bottom limit stop | 1 | 23877 | | | |
| 1.5 | Pressure flange | 2 | 23873 | | | |
| 1.6 | Tube ring | 2 | 23875 | | | |
| 1.7 | Sealing | 2 | 23874 | | | |
| 2 | Flat gasket | 2 | 81285 | | | |
| 3 | Adjusting screw | 1 | 15789 | | | 31926 |
| 4 | O-ring | 1 | 80013 | | | |
| 5 | Inlet block | 1 | 29464 | | | 31922 |
| 6 | Outlet block | 1 | 29465 | | | 31923 |
| 7 | Mounting bracket | 2 | 15528 | | | |
| 8 | Screw M5x12 | 6 | 83606 | | | |
| 9 | Washer d 5,3 | 6 | 84164 | | | |
| 10 | Cylindric screw M6x45 | 4 | 83641 | | | |
| 11 | Washer d 6,4 | 4 | 84160 | | | |
| 12 | Bolt M8x395 | 2 | 15529 | | | |
| 13 | Nut M8 | 4 | 83130 | | | |
| 14 | Washer d 8,4 | 4 | 84131 | | | |
| 15 | Protection cap for nut M8 | 4 | 83507 | | | |
| 16 | Cover plate (only for cabinet device) | 1 | 27484 | | | |
| Measuring glass assembly for wall device | | | 29274 | 29275 | 29276 | 31863 |
| Measuring glass assembly for cabinet device | | | 27477 | 27478 | 27479 | 32595 |