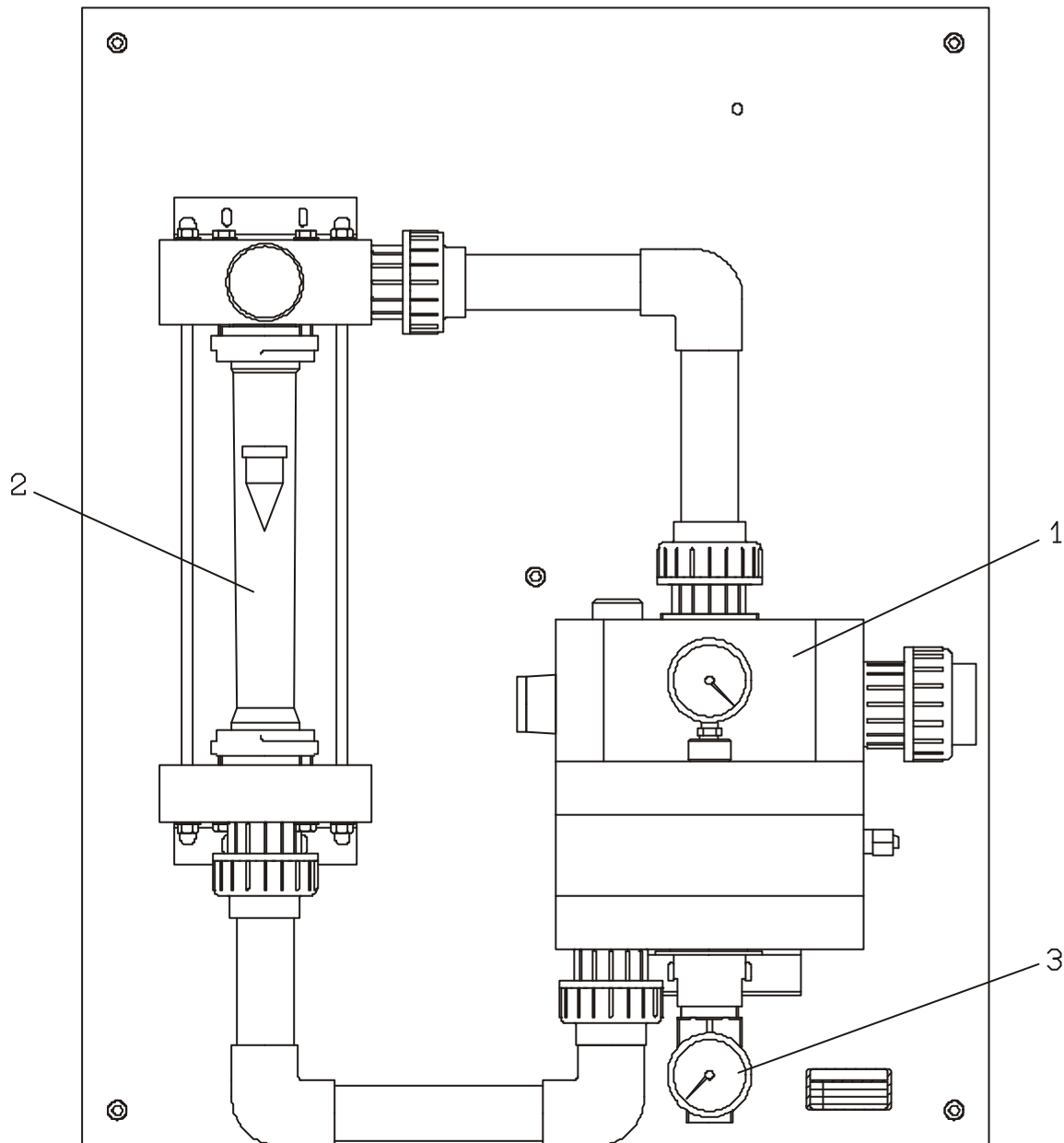
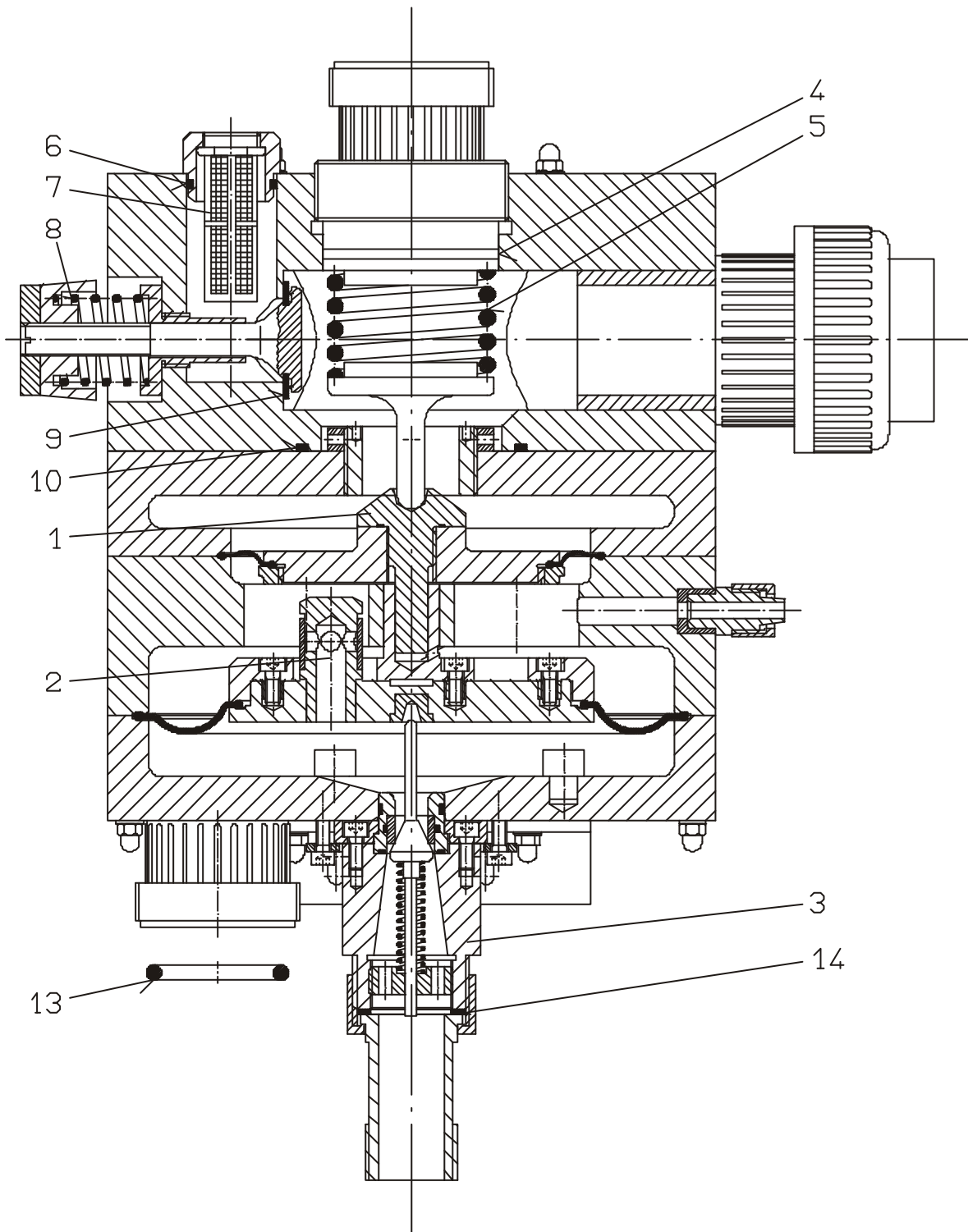


Item	Description	Part Number
1	Chlorinator C 2700 (see ET 2 03 01 / 3+4)	27383
2	Measuring glass w. holder for 2- 40 kg Cl ₂ /h (see ET 2 03 01 / 5)	27397
	Measuring glass w. holder for 3-60 kg Cl ₂ /h (see ET 2 03 01 / 5)	27398
	Measuring glass w. holder for 6-120 kg Cl ₂ /h (see ET 2 03 01 / 5)	27399
	Measuring glass w. holder for 10-200 kg Cl ₂ /h (see ET 2 03 01 / 5)	27400
3	Pressure gauge 0 - 16 bar (chlorine pressure)	87386
4	Pressure gauge 0 - 1 bar absolute (vacuum)	87387
5	Pressure gauge 0 - 16 bar (motive water pressure)	87385
6	Cabinet with bonnet	22813

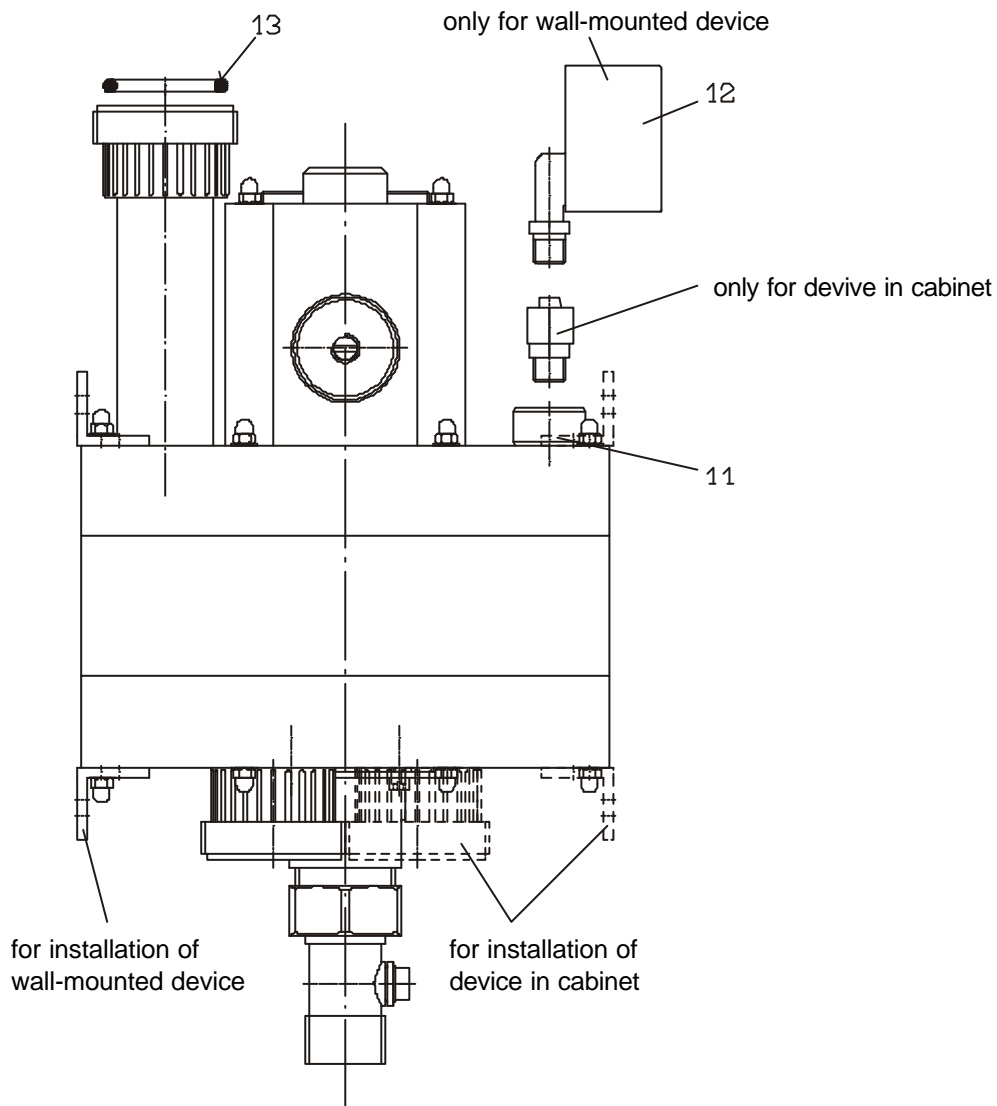


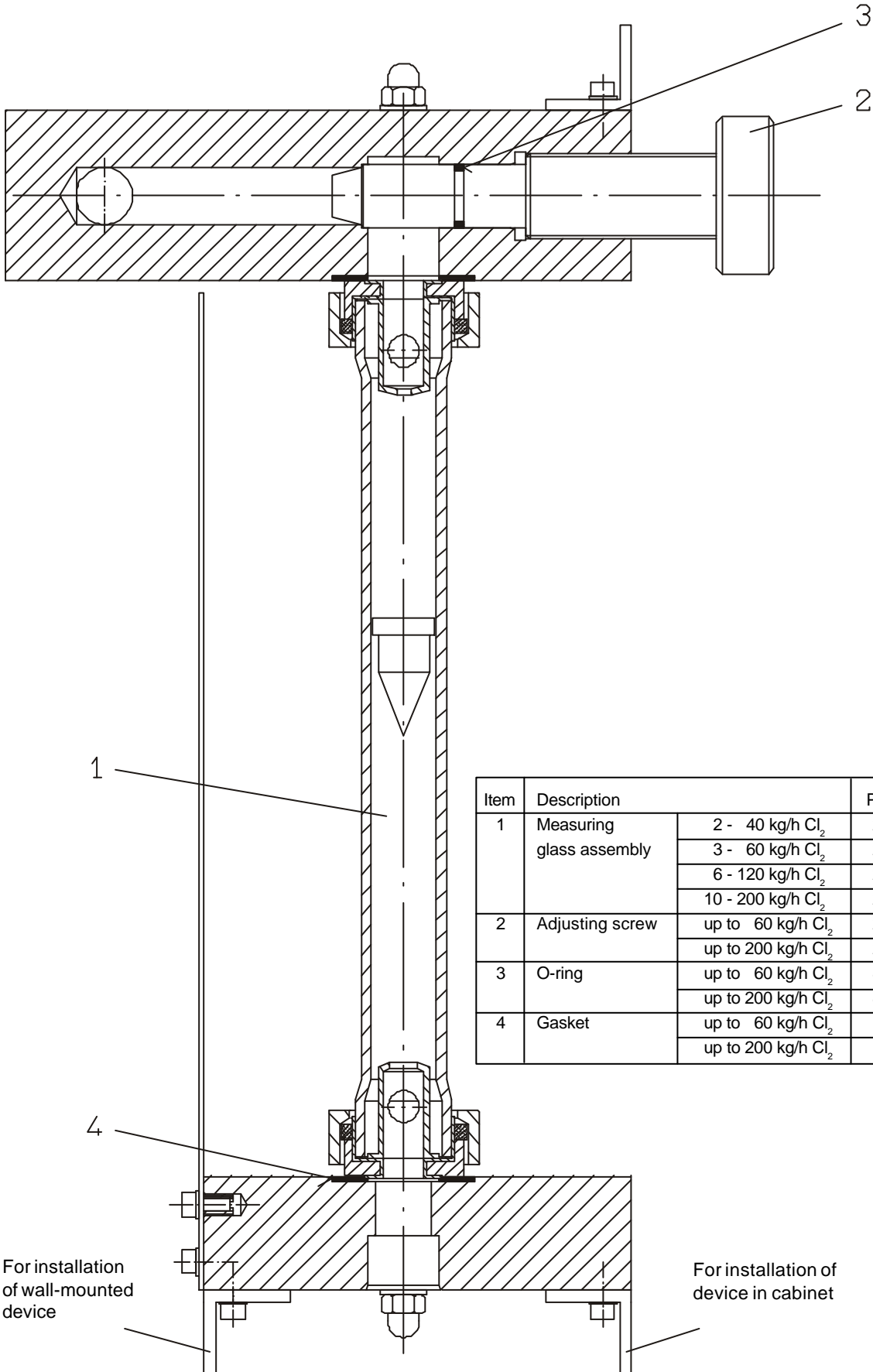
Item	Description	Part Number
1	Chlorinator C 2700 (see ET 2 03 01 / 3+4)	27881
2	Measuring glass w. holder for 2-40 kg Cl ₂ /h (see ET 2 03 01 / 5)	28001
	Measuring glass w. holder for 3-60 kg Cl ₂ /h (see ET 2 03 01 / 5)	28002
	Measuring glass w. holder for 5-100 kg Cl ₂ /h (see ET 2 03 01 / 5)	28003
	Measuring glass w. holder for 10-200 kg Cl ₂ /h (see ET 2 03 01 / 5)	28004
3	Pressure gauge 0 - 16 bar	24087129

Chlorinator C 2700



Item	Qty	Description	Part Number
1	1	Upper diaphragm disk assembly (see ET 2 03 01 / 7)	27388
2	1	Lower diaphragm disk assembly (see ET 2 03 01 / 7)	27389
3	1	Inlet valve assembly (see ET 2 03 01 / 8)	27390
4	1	O-ring	80092
5	1	Pressure spring	13288
6	1	O-ring	80053
7	1	Plastic filter	18089
8	1	Pressure spring	10045
9	1	Gasket	81310
10	1	O-ring	80091
11	1	O-ring	80001
12	1	Pressure gauge 0 - 1.0 bar for C 2700 /WL	24087250
13	2	O-ring	80078
14	1	Gasket	81581



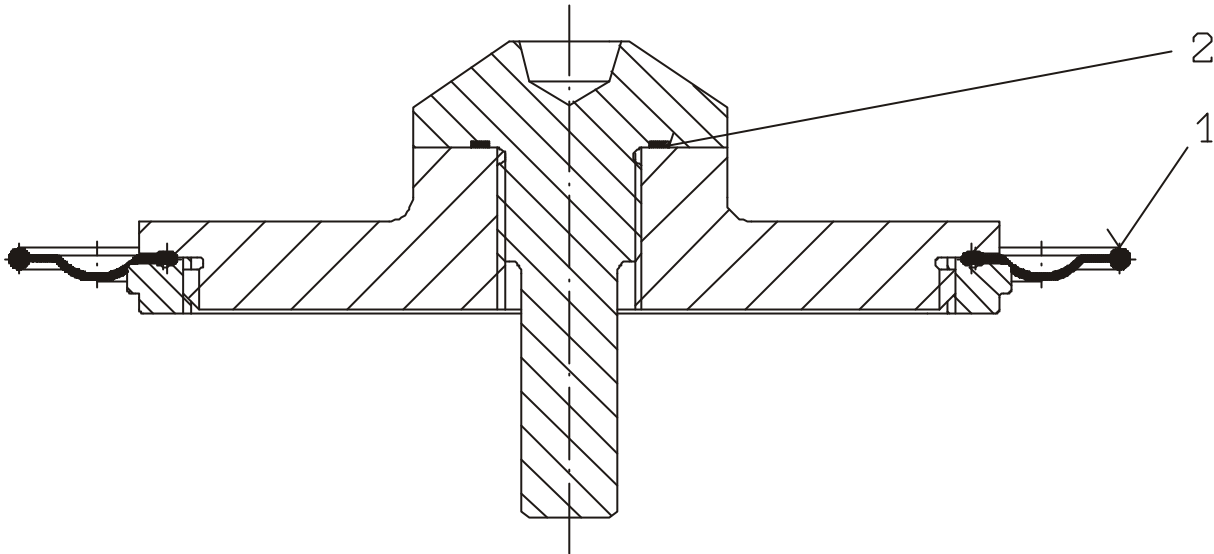


Item	Description		Part No.
1	Measuring glass assembly	2 - 40 kg/h Cl ₂	27402
		3 - 60 kg/h Cl ₂	27403
		6 - 120 kg/h Cl ₂	27404
		10 - 200 kg/h Cl ₂	27405
2	Adjusting screw	up to 60 kg/h Cl ₂	27436
		up to 200 kg/h Cl ₂	27437
3	O-ring	up to 60 kg/h Cl ₂	80046
		up to 200 kg/h Cl ₂	80076
4	Gasket	up to 60 kg/h Cl ₂	15772
		up to 200 kg/h Cl ₂	15771

For installation of wall-mounted device

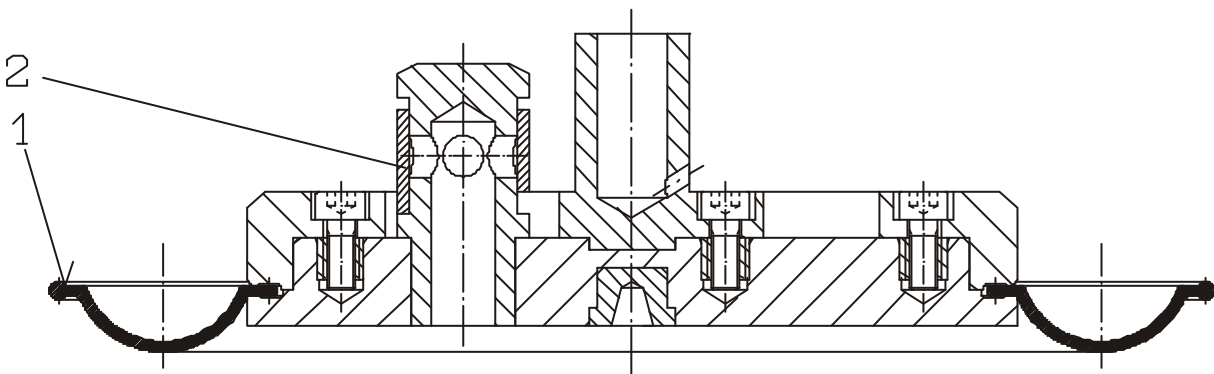
For installation of device in cabinet

Upper Diaphragm Disk

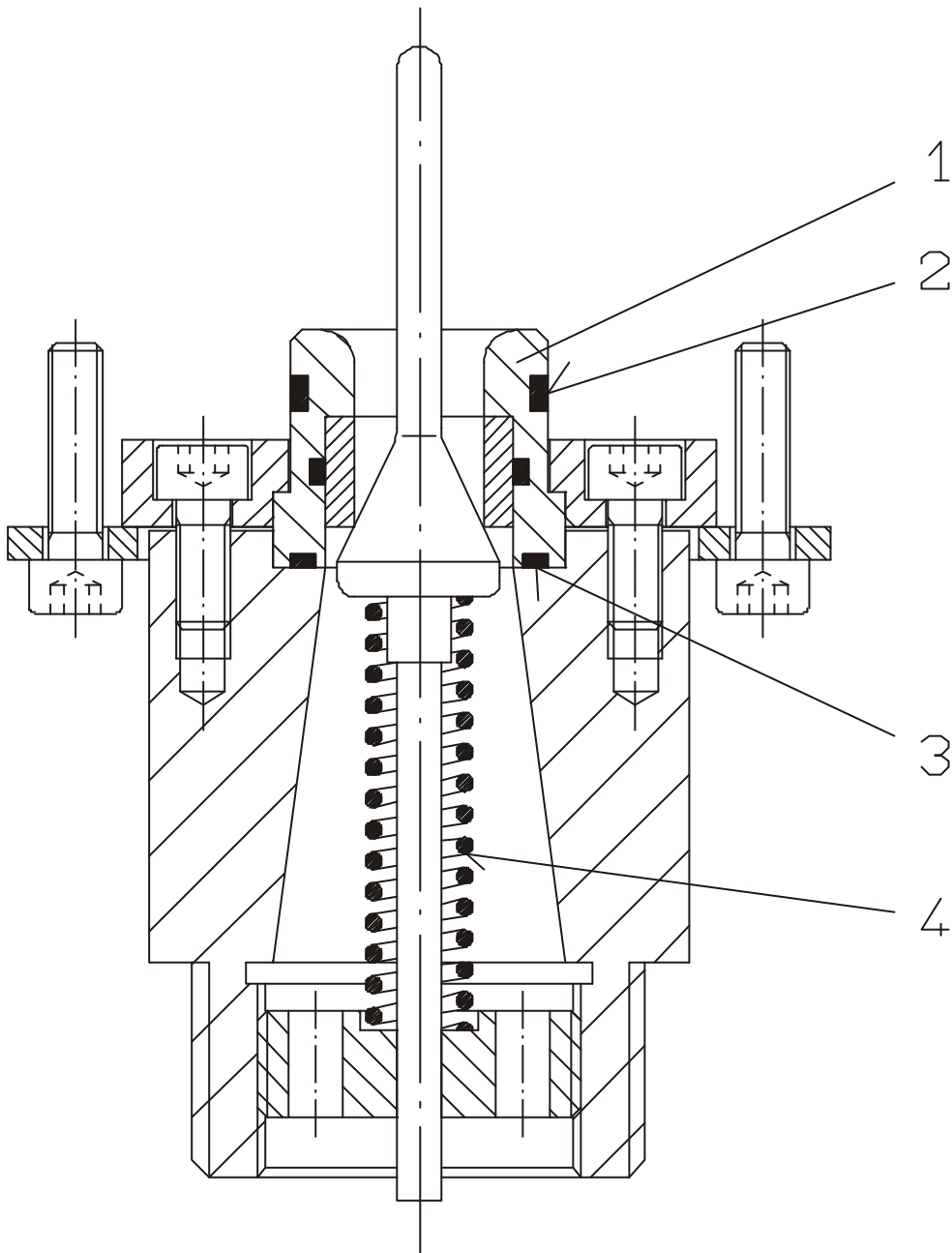


Item	Qty	Description	Part No.
1	1	Diaphragm	81002
2	1	O-ring	80001
Diaphragm disk assbly			27388

Lower Diaphragm Disk



Item	Qty	Description	Part No.
1	1	Diaphragm	81308
2	1	Tubing	81242
Diaphragm disk assbly			27389



Item	Qty	Description	Part No.
1	1	Valve seat assbly	28278
2	1	O-ring	80008
3	1	O-ring	80001
4	1	Pressure spring	13687
		Inlet valve assbly	27390