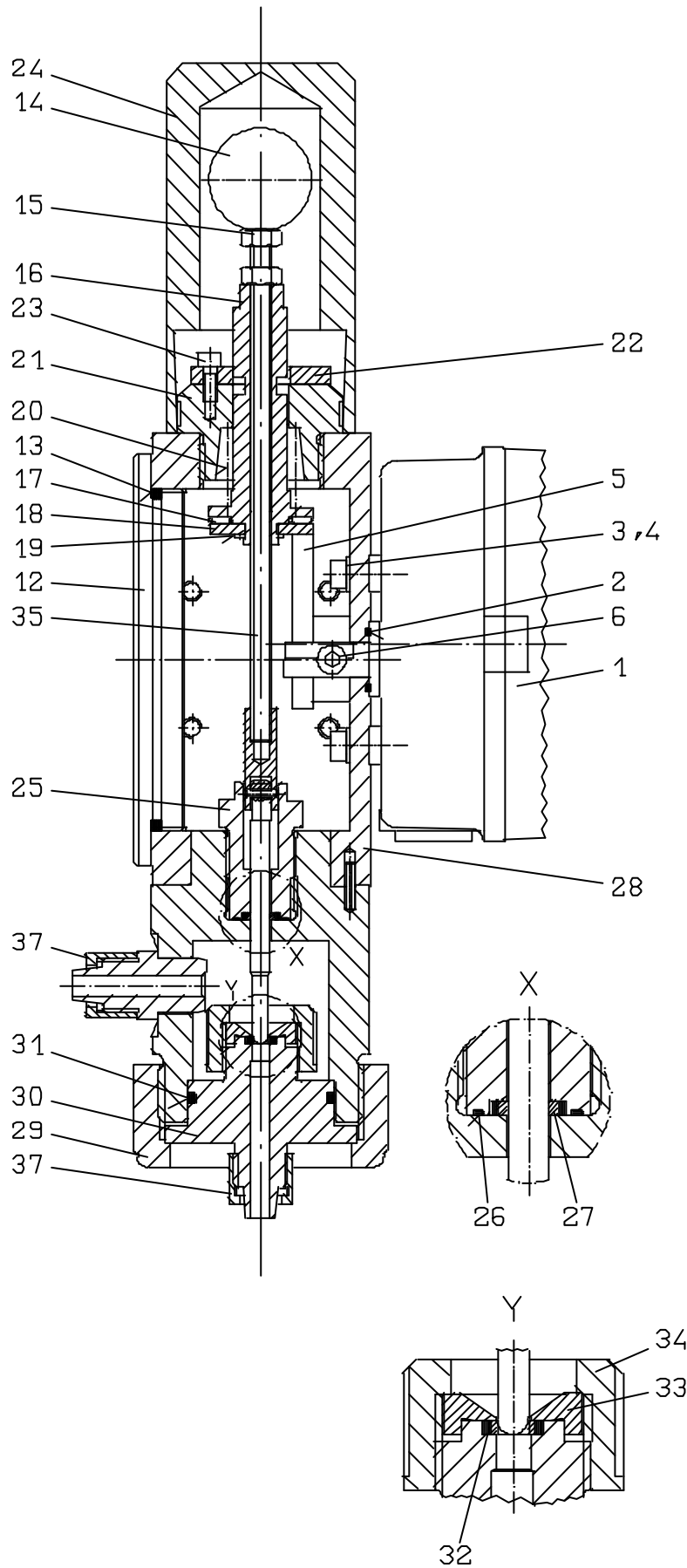
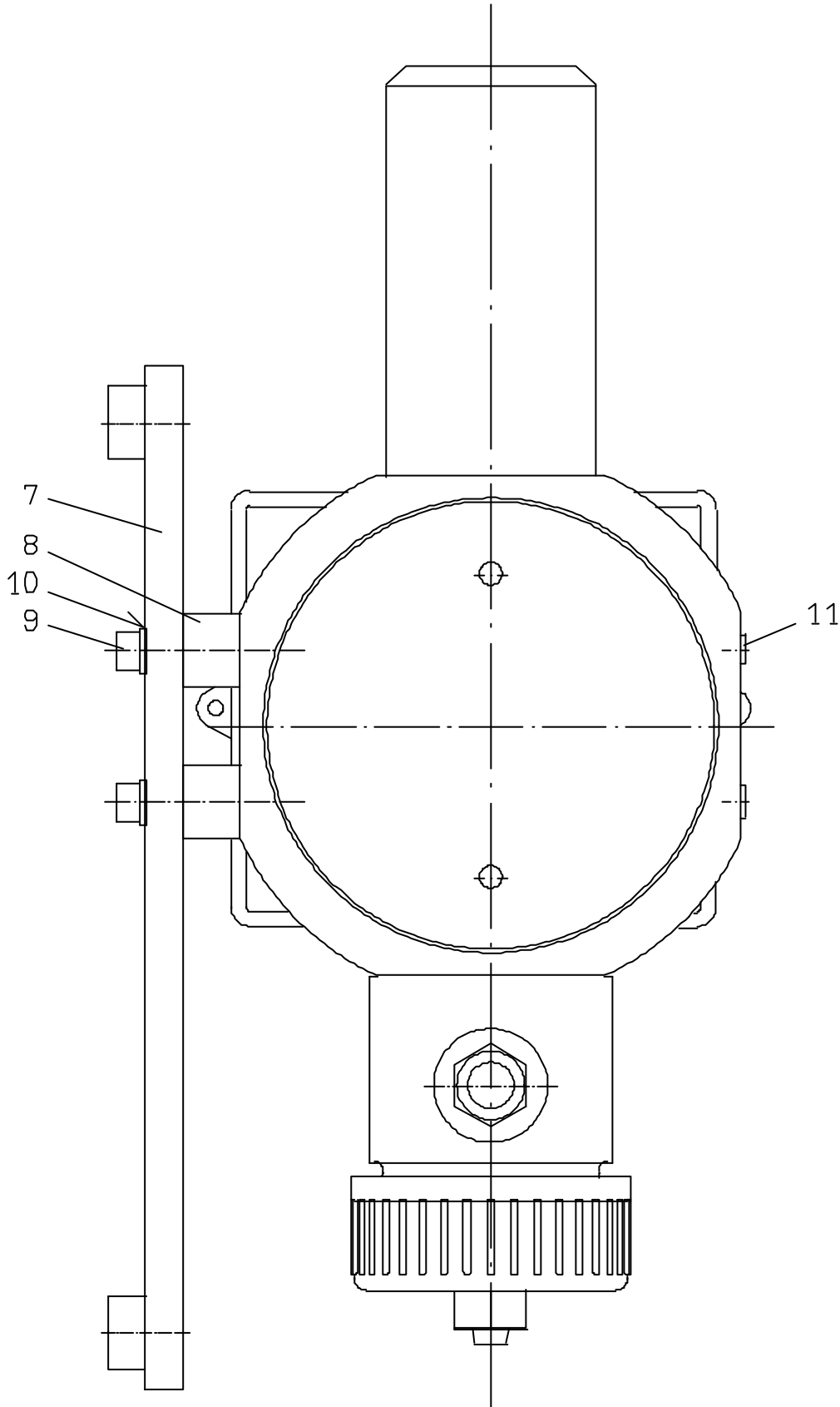


Chlorine Control Valve C 7700



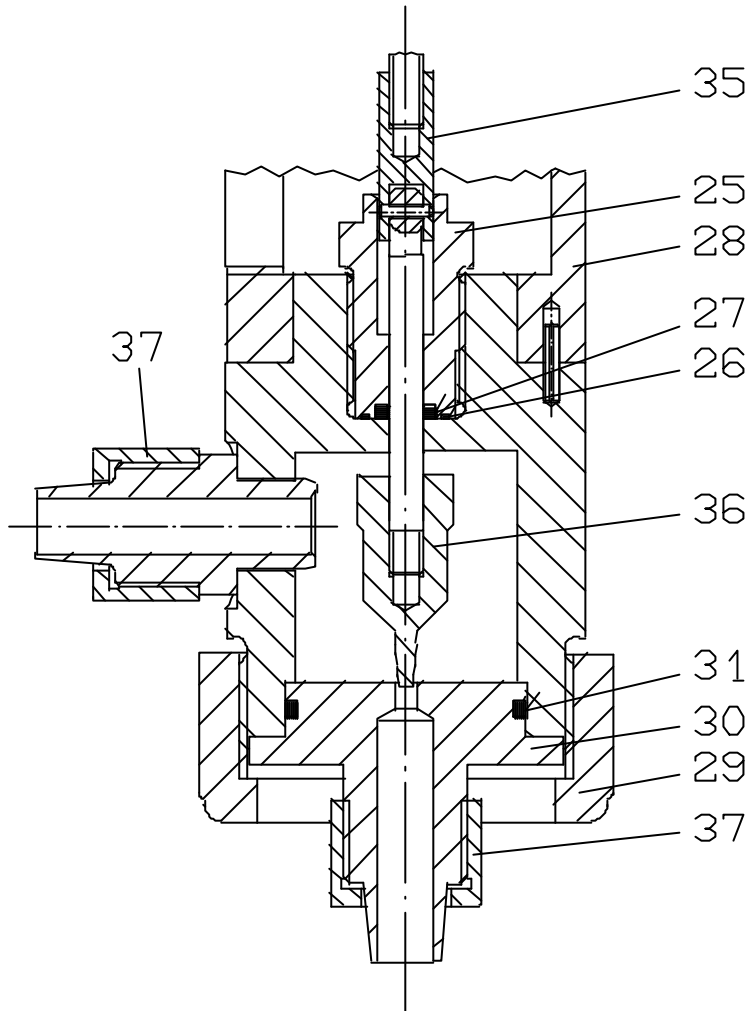


Chlorine Control Valve C 7700

Chlorine control valve C7700 ...80 g/h to ...2500 g/h

Item	Description	Material	Part No.	Qty.	
1	Servomotor 230 VAC, 3-point step	-	78745	1	
	Servomotor 24 VAC, 0(4)...20 mA	-	78993		
2	O-ring d14x1.78	Viton	80003	1	
3	Cheese head screw M5x16	A2	83608	4	
4	Washer d5.3	A2	84164	4	
5	Adjusting eccentric	Brass	15524	1	
6	Cheese head screw M5x12	A2	83606	1	
7	Mounting plate with bushings	PP	29304	1	
8	Spacer	PP	34213	4	
9	Cheese head screw M6x40	A2	83821	4	
10	Washer d6.4	A2	84160	4	
11	Tapered plug for M6	PE	32213	4	
12	Screw cap for eccentric chamber	PVC	29291	1	
13	O-ring d99x2	NBR	80615	1	
14	Hand-operated knob M6	Plastic	29287	1	
15	Hex nut M6	A2	83395	2	
16	Guide pin for valve spindle	Brass	29282	1	
17	Axial needle rim	Steel	86107	1	
18	Stop plate for eccentric	Brass	29284	1	
19	Circlip	Steel	84084	1	
20	Compression spring	Steel	82624	1	
21	Guide nut for guide pin	PVC	29283	1	
22	Locking plate	PVC	29285	1	
23	Cheese head screw M4x12	A2	83622	1	
24	Cap to protect against splashing water	PVC	32141	1	
25	Housing grommet G 1/2	PVC	32140	1	
26	O-ring d13x1	Viton	80647	1	
27	Set of seals d6	PTFE/Viton	80648	1	
28	Housing for C 7700	Tubing d8/12	PVC	29302	1
		G 1/4 inside	PVC	34471	
29	Union nut G2	PVC	22259	1	
30	Valve seat up to 2500 g/h	Tubing d8/12	PVC	29288	1
		G 1/4 inside	PVC	34848	
		d16 inside	PVC	34470	
31	O-ring d38x2.5	Viton	80049	1	
32	Set of seals d4.6	PTFE/Viton	80621	1	
33	Seat holder	PVC	29289	1	
34	Union nut G5/8	PVC	82087	1	
35	Valve spindle assembly	... 80 g/h, No. 1	PVDF/Brass	32396	1
		... 200 g/h, No. 2		32397	
		... 500 g/h, No. 3		32398	
		... 1000 g/h, No. 4		32399	
		... 2000 g/h, No. 5		32400	
		... 2500 g/h, No. 6		32401	
37	Union nut for tubing d8/12	PVC	10365	2	

Chlorine control valve C7700 ...4 kg/h to ...15 kg/h

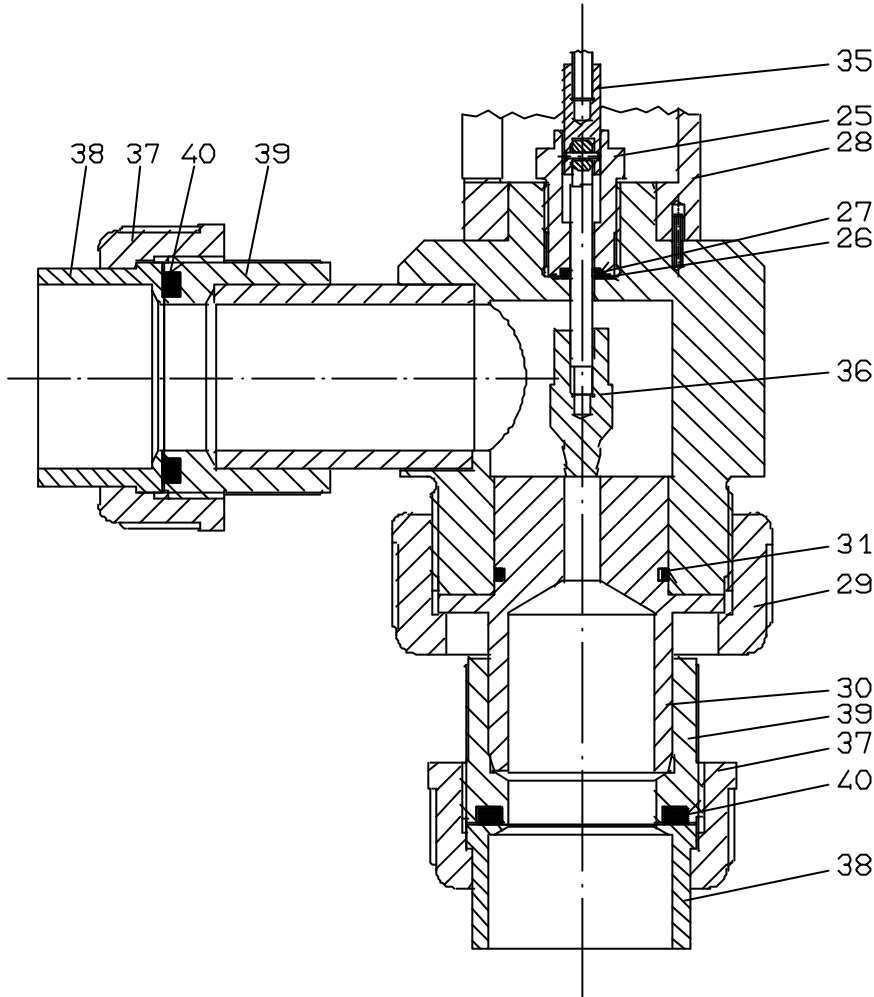


Chlorine Control Valve C 7700

Items 1...27 are identical with those of the version ...2500g/h

Item	Description	Material	Part No.	Qty.
28	Housing for C 7700	PVC	Tubing d8/12	1
			Tubing d12/16	
			G 1/4 inside	
29	Union nut G2	PVC	22259	1
30	Valve seat	PVC	...4 kg/h and 5 kg/h, Tubing d8/12	1
			...4 kg/h and 5 kg/h, Tubing d12/16	
			...10 kg/h, Tubing d12/16	
			...15 kg/h, Tubing d12/16	
31	O-ring d38x2.5	Viton	80049	1
35	Valve cone holder, complete	Brass/Silver	32395	1
36	Valve cone	PVC	...4 kg/h	1
			...5 kg/h	
			...10 kg/h	
			...15 kg/h	
37	Union nut for	PVC	Tubing d8/12	2
			Tubing d12/16	

Chlorine control valve C7700 ...25 kg/h to ...200 kg/h



Items 1...27 are identical with those of the version ...2500g/h

Item	Description	Material	Part No.	Qty.
28	Housing for C 7700 d50 outside	PVC	29321	1
29	Union nut G2 3/4	PVC	22461	1
30	Valve seat ...25 kg/h, d50 outside	PVC	29334	1
	...40 kg/h, d50 outside		29335	
	...60 kg/h, d50 outside		29336	
	...100 kg/h and ...200 kg/h, d50 outside		29337	
31	O-ring d42x2.5	Viton	80030	1
35	Valve cone holder	Brass/Silver	32395	1
36	Valve cone ...25 kg/h	PVC	29329	1
	...40 kg/h		29330	
	...60 kg/h		29331	
	...100 kg/h		29332	
	...200 kg/h		29333	
37	Union nut G2 1/4	PVC	13717	2
38	Insert d50 inside	PVC	13718	2
39	Screw-in part d50 inside	PVC	88197	2
40	O-ring d47x5.3	Viton	80079	2