

## Product Information Control Valve C 7700

### Controlled Dosing

Dangerous gases enter the line system with negative pressure by default. More complex installations, which have a central control system (e.g. an SPS) need to have adjustable components in the line system to make automatic access possible.

Electrical control valves are used to automatically regulate the flow rate of the gases in such a line system.

Control valves such as the C 7700 are used in swimming pools, water works, for water purification processes and in the most diverse applications.

### Linear and infinitely variable

The C 7700 can be used for the proportional dosing of chlorine gas, hydrogen chloride, carbon dioxide or sulphur dioxide. Its simple wall mounting and compact design means it can be used everywhere. The manual locking of the valve at 100% opening overrides the automatic procedure if need be. There is also the option of a flow meter to measure the quantity.

### Partner in the control cycle

An actuator serves as the valve's drive. The C 7700 is controlled by an external 3-phase switch or 4...20 mA. The flow rate is proportional to the correcting variable of the drive. Its components, made from high-quality material, are chemically stable and have a high durability.

### In short

- 3-phase switch or 4...20 mA
- Linear characteristic
- Mounted on wall plates
- Manually lockable at 100% opening



### Technical data

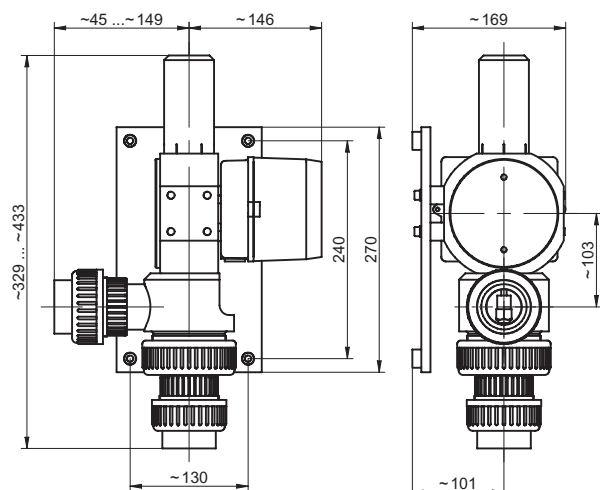
Flow rate with chlorine gas	up to 200 kg/hr
Connections	for PE-hose d 8/12
Position feedback	1000 Ohm
Voltage supply	230 V AC, 50-60 Hz, or 24 V AC
Control	3-phase switch (with 230 V AC) 4...20 mA (with 24 V AC)
Safety class	IP55
Measurements	320 x 660 mm
Flow meter with manual setting (optional)	4 g/hr ... 4 kg/hr (with chlorine gas) for higher flow rate see C 2525 and/or C 2700

## Product Information Control Valve C 7700

### Model variants in 230 V AC (3-phase switch)

Product	Output	Order no.					Flow rate
		Hose clamp connection for hose d 8/12	Tube G 1/4 internal	Tube d 16 external	Hose clamp connection for hose d 12/16	PVC screw connection for tube DN 40	
C 7700	80 g/hr	20729281	20700050	-	-	-	no
C 7700	200 g/hr	20729305	20700051	-	-	-	no
C 7700	500 g/hr	20729306	20700052	-	-	-	no
C 7700	1000 g/hr	20729307	20700053	-	-	-	no
C 7700	2000 g/hr	20729308	20700054	-	-	-	no
C 7700	2500 g/hr	20729309	20700055	-	-	-	no
C 7700	4000 g/hr	20732296	20700056	-	-	-	no
C 7700	5 kg/hr	-	-	-	20729318	-	no
C 7700	10 kg/hr	-	-	-	20729319	-	no
C 7700	15 kg/hr	-	-	-	20729320	-	no
C 7700	25 kg/hr	-	-	-	-	20729313	no
C 7700	40 kg/hr	-	-	-	-	20729314	no
C 7700	60 kg/hr	-	-	-	-	20729315	no
C 7700	100 kg/hr	-	-	-	-	20729316	no
C 7700	200 kg/hr	-	-	-	-	20729317	no
C 7700	80 g/hr	20700001	20700098	20700036	-	-	yes
C 7700	200 g/hr	20700002	20700099	20700037	-	-	yes
C 7700	500 g/hr	20700003	20700100	20700038	-	-	yes
C 7700	1000 g/hr	20700004	20700101	20700039	-	-	yes
C 7700	2000 g/hr	20700005	20700102	20700040	-	-	yes
C 7700	2500 g/hr	20700006	20700103	20700041	-	-	yes
C 7700	4000 g/hr	20700007	-	20700042	-	-	yes

### Dimensional figure



All dimensions in mm

### Accessories

Description	Order no.
Additional end position switch for the actuator, capacity: 250 VA/ 2 A	78743
Replacement set C 7700 up to 2500 g/hr	34690
Replacement set C 7700 for 4...15 kg/hr	34982
Replacement set C 7700 for 25...200 kg/hr	37077