

**General**

To ensure 100% function of chlorinators they have to be protected against dirt. Chlorine gas filters are used to catch out particles out of the chlorine gas flow.

The filter element is a hollow cylinder made of ceramic. The chlorine flow is from outside of the cylinder to inside.

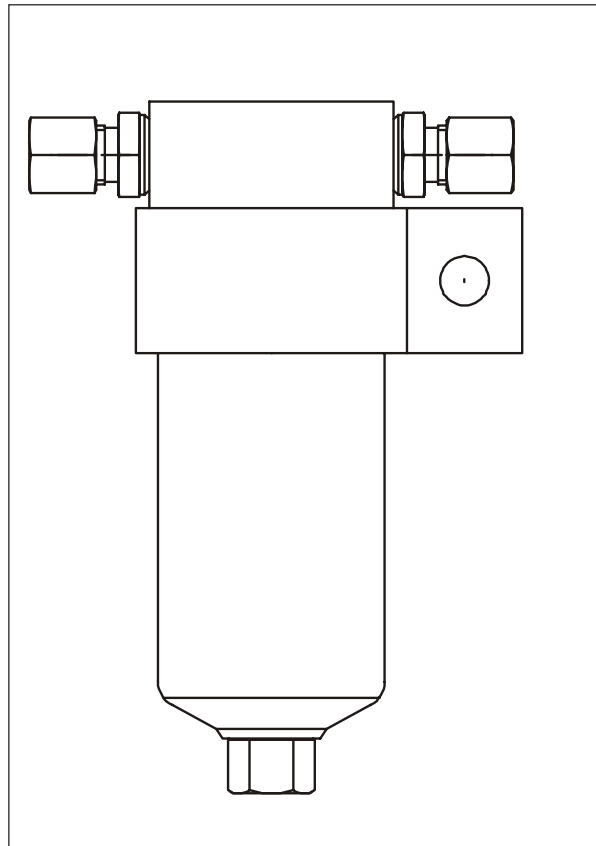
A second function is the separation of liquid drops of chlorine. They will be evaporated with help of temperature from the atmosphere.

**Maintenance**

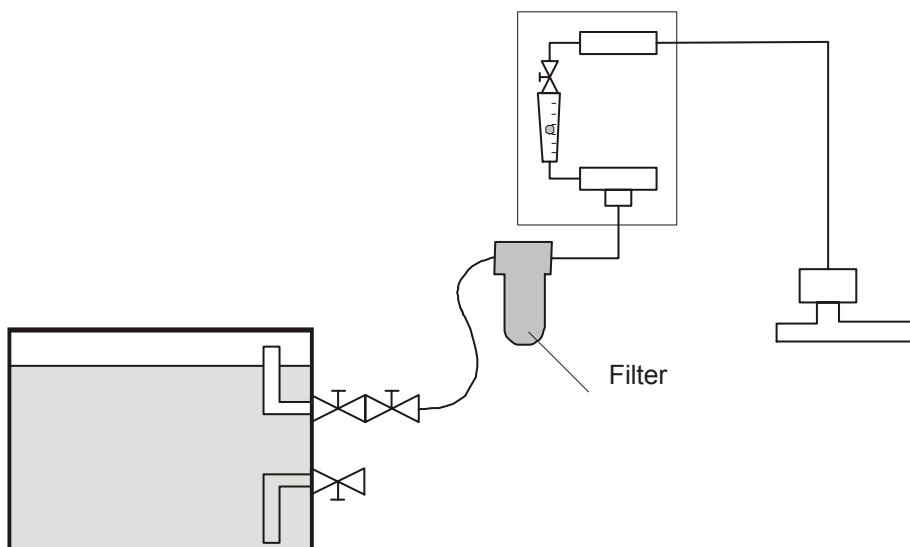
If there are no rules/specifications (e.g. GUV 8.15) or special annotations prescribing shorter maintenance intervals, all JESCO chlorinators have to be maintained and tested by an authorized specialist firm at least once a year. Preferably this should happen at the beginning of a high-rate period, prior to a downtime or a restart.

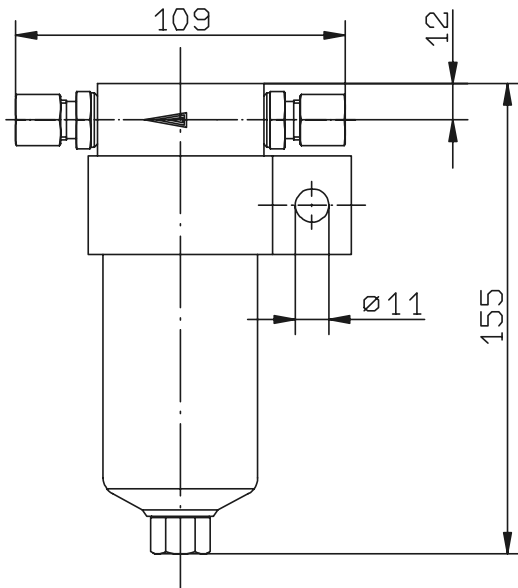
When the filter element gets dirty, the pressure loss will get higher. To ensure a sufficient chlorine flow the filter element should be replaced every year in normal cases. If the chlorine is very dirty, it should be replaced more frequent.

At replacement of filterelements the O-rings should be exchanged, too.

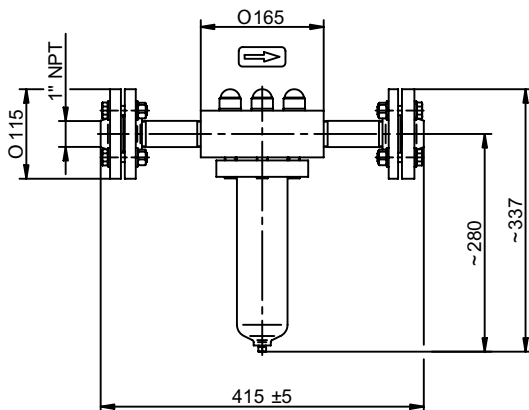
**Installation**

The filter should be the first unit of the installation to ensure, no valve will be influenced by dirt.



**Filter DN 6**


max. flow rate at 2 bar	20 kg/h
max. flow rate at 6 bar	40 kg/h
with connections G 1/4 female	Part No. 22613810
with connections for copper pipe d 8x1mm	Part No. 22600001
spare filter element	Part No. 87396
set of gaskets	Part No. 81755
spare part set filter element with gaskets	Part No. 35603

**Filter DN 25**


max. flow rate at 2 bar	100 kg/h
max. flow rate at 6 bar	200 kg/h
with connections G 1 female	Part No. 22600002
with connection flange 1" NPT female	Part No. 22637108
with connections for copper pipe d 12x1mm	Part No. 22600003
spare filter element	Part No. 87561 *
O-ring for housing	Part No. 80835
spare part set filter element with gaskets	Part No. 35497 **

\* until 09/2001 (Part No. 35628 from 10/2001)

\*\* until 09/2001 (Part No. 35630 from 10/2001)