

General

Chlorine valves are fittings that have been developed specifically, in terms of sealing and chemical resistance, for use in connection with liquid and gaseous chlorine.

Whereas ball cocks are used for preference with rigid pipeline installations, cylinder and drum auxiliary valves are specially produced for connecting up chlorination units and their header pipes to the chlorine containers. As chlorine containers have connected to the container by means of a flexible pipe - see Data Sheet MB 2 23 01.

Operating description

The auxiliary valve has as an isolation element a cylindrical, polished pin (2), directed into a PTFE bush (3) for packing purposes. It is not the force of the isolating action that is the point here, but the fact that the valve stem is inserted in the PTFE bushing. This is done, carefully, with the aid of handwheel (1), which moves the valve stem by means of a differential fine screw thread. The stem is shifted very slowly, so as to prevent the auxiliary valve from being opened too fast and liquid chlorine from spurting through.

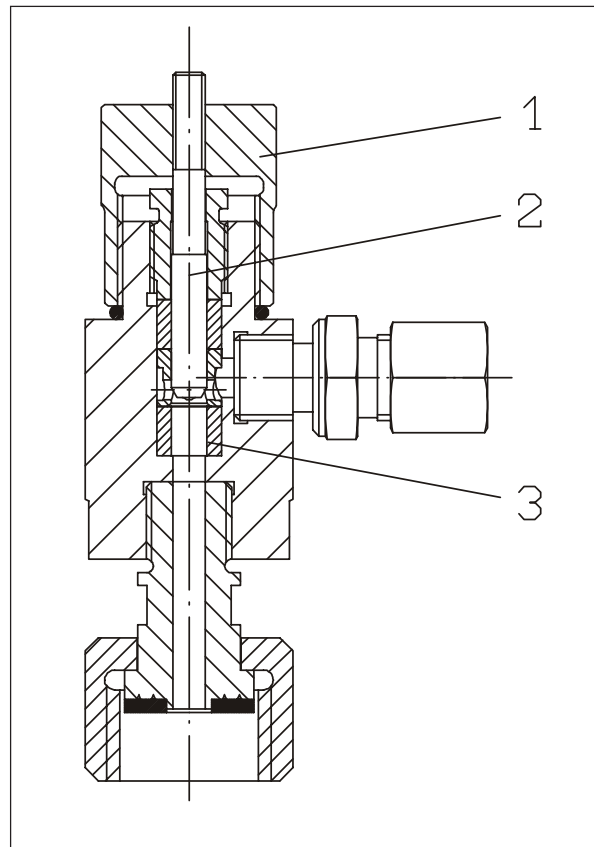
Maintenance hint

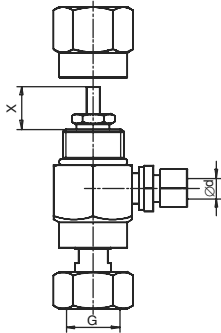
If there are no rules/specifications (e.g. GUV 8.15) or special annotations prescribing shorter maintenance intervals, all JESCO chlorinators have to be maintained and tested by an authorized specialist firm at least once a year. Preferably this should happen at the beginning of a high-rate period, prior to a downtime or a restart.

Before the handwheel (1) is put on the spindle must be set to recommended measure X.

After 5 turns of the spindle the valve is entirely opened.

Before starting the stuffing-box stud 2 must be tight up by 1/4 - 1/2 turn, since the teflon bush might have settled since production of the valve! Afterwards the stuffing-box stud must be checked every 6 months and tight up if necessary.

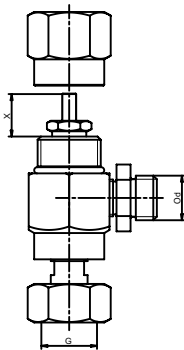




Summary table for chlorine valve connections

Chlorine valve conn. for		G	DN	ø d	X	Order No.
Chlorine cylinders	DIN 477	1 " W	4	8	25	22210150
	ASA	G 3/4				22215891
	ASA	G 5/8				22231027
Chlorine drums	DIN 477	1 1/4 " W	10	12	35	22232385
	DIN 477	1 1/4 " W				22213779
	ASA	G 3/4				22215916
	ASA	G 5/8				22231028

Other connections on request.



Summary table for chlorine valve connections

Chlorine valve conn. for		G	DN	ø d	X	Order No.
Chlorine cylinders	DIN 477	1 " W	4	1"	25	22232152
	ASA	G 3/4				22237406
	ASA	G 5/8				22237407
Chlorine drums	DIN 477	1 1/4 " W	10	1"	35	22237408
	DIN 477	1 1/4 " W				22237409
	ASA	G 3/4				22237410
	ASA	G 5/8				22237411

Other connections on request.