

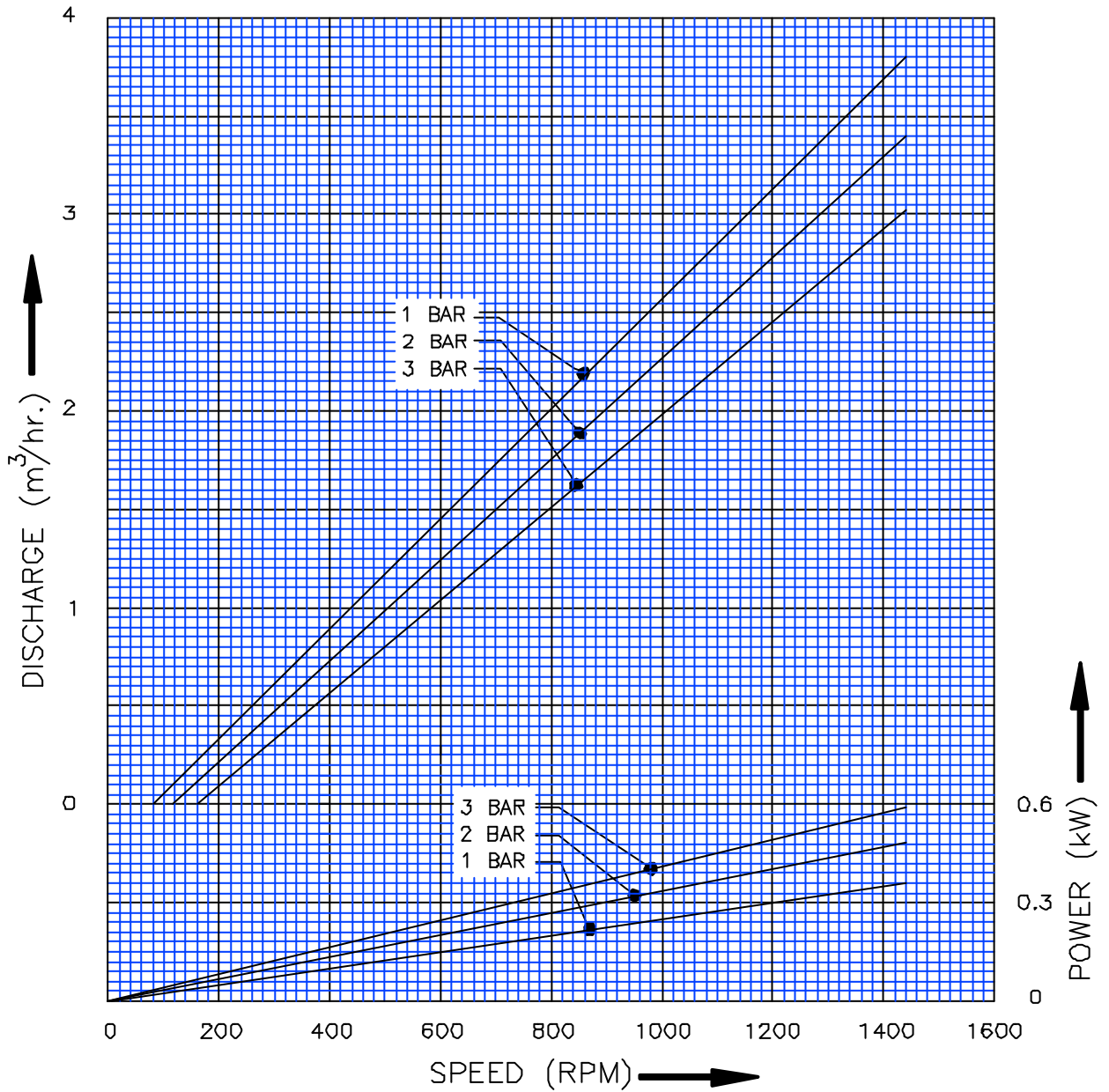


ROTO PUMPS PERFORMANCE CURVE

Model-DC 041

Graph No.RS-166-02

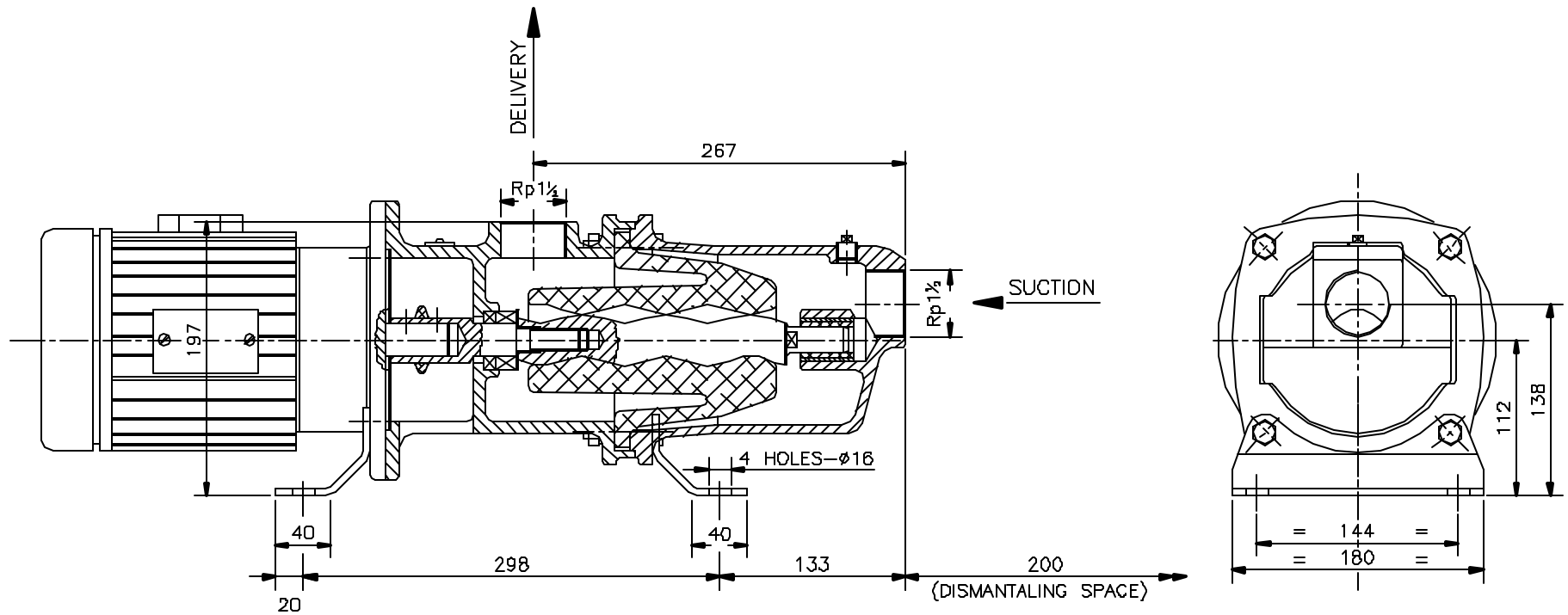
STARTING TORQUE : 8 Nm
STATOR HARDNESS : 70°Shore
Tested on water at 30 °C for RR stator





DIMENSIONAL DRAWING OF DCCA-041/051 PUMP

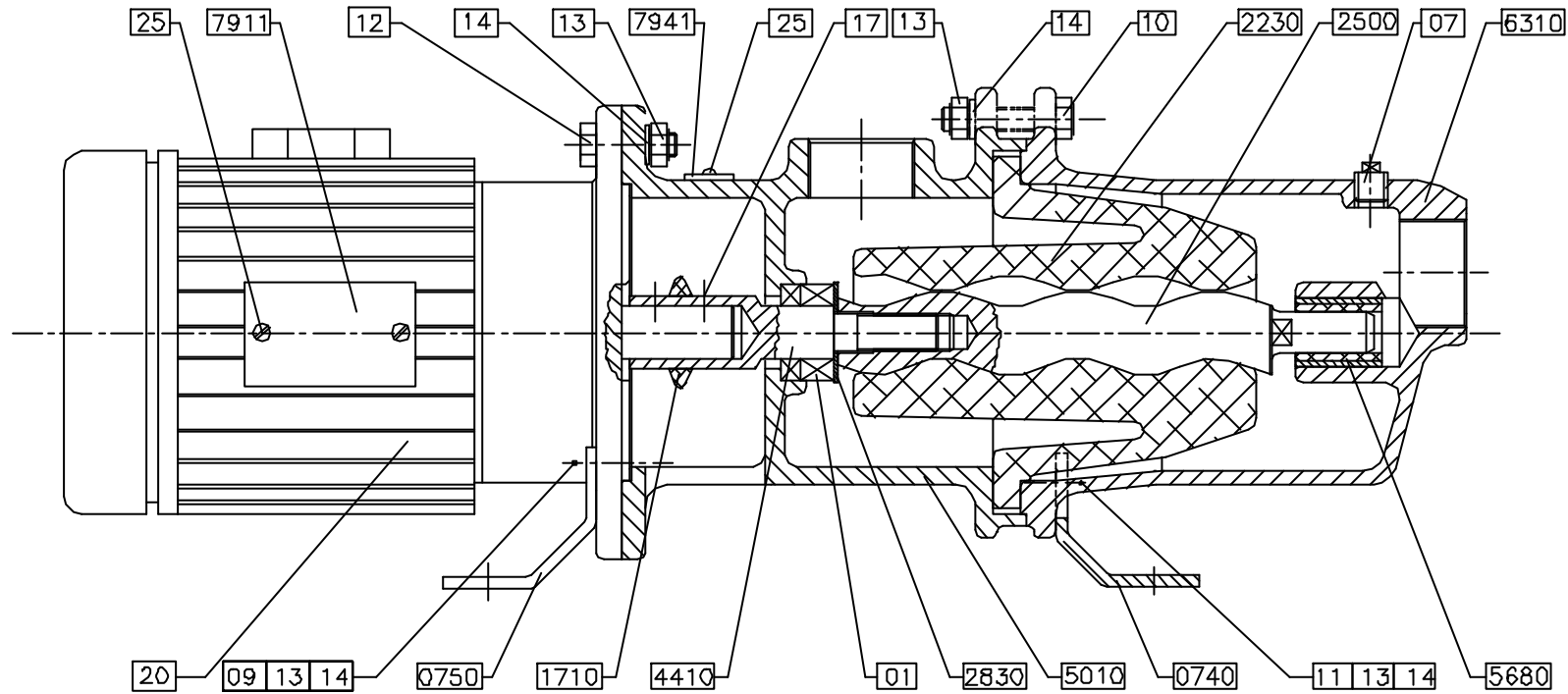
DRG. NO.
DD-06-001-00





CROSS SECTIONAL DRAWING OF DCCA-041/051 PUMPS

DRG. NO.
CS-06-002-02

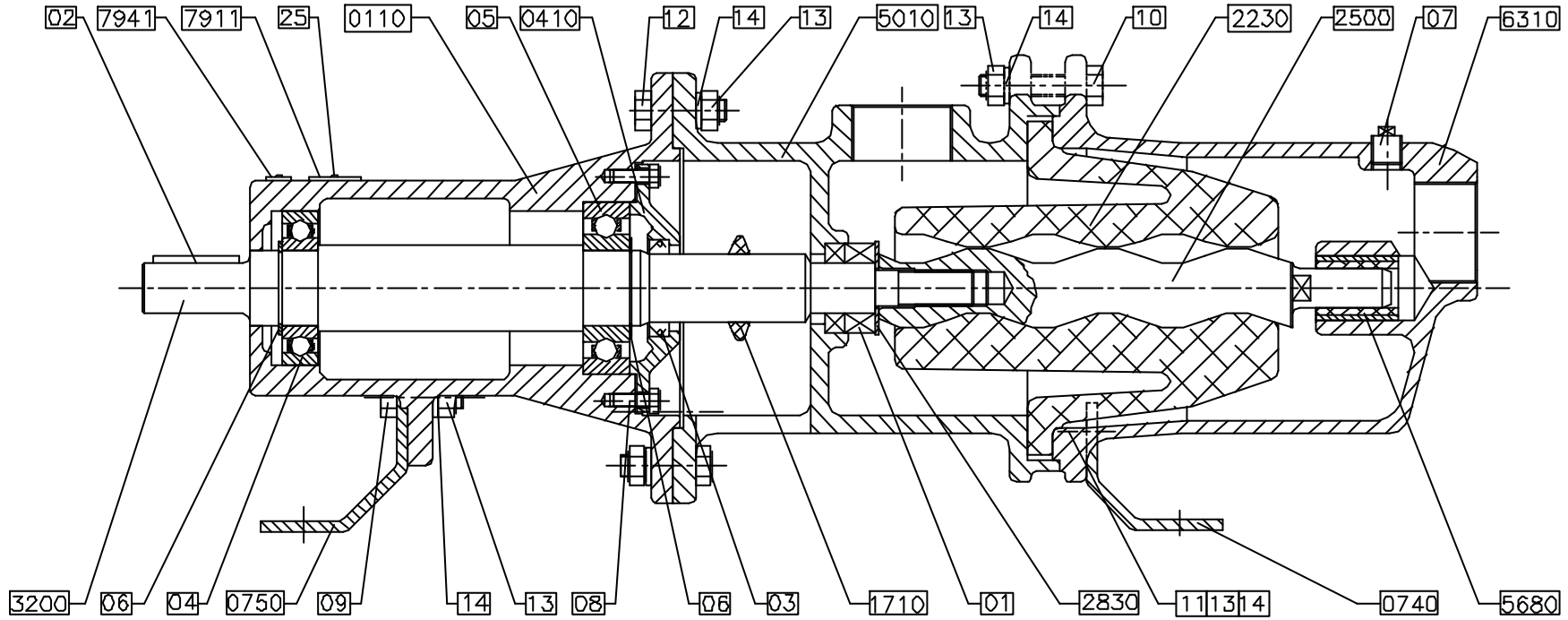


7941	ROTATIONAL PLATE	01		
7911	NAME PLATE	01	25	DRIVE SCREW
6310	STATOR HOUSING	01	20	MOTOR [T.E.F.C.]
5680	BONDED BUSH	01	17	GRUB SCREW (FOR PART NO 4410)
5010	PUMP HOUSING	01	14	PUNCHED WASHER (FOR PART NO 13)
4410	STUB SHAFT	01	13	HEX NUT (FOR PART NO 09, 10, 11 & 12)
2830	MECH SEAL RETAINER	01	12	HEX HEAD BOLT (FOR PART NO 20 & 5010)
2500	ROTOR	01	11	HEX HEAD BOLT (FOR PART NO 6310, 5010 & 0740)
2230	STATOR	01	10	HEX HEAD BOLT (FOR PART NO. 5010 & 6310)
1710	WATER THROWER	01	09	HEX HEAD BOLT (FOR PART NO 5010, 750 & 20)
0750	FOOT FOR MOTOR	01	07	TAPER PLUG
0740	STATOR HOUSING FOOT	01	01	MECH. SEAL
SEQ. NO	DESCRIPTION	NO. OFF	SEQ. NO.	DESCRIPTION
				NO OFF



CROSS SECTIONAL DRAWING OF DCAA-041/051 PUMPS

DRG. NO.
CS-06-004-03



01	MECH. SEAL	01			
7941	ROTATIONAL PLATE	01	25	DRIVE SCREW	04
7911	NAME PLATE	01	14	PUNCHED WASHER (FOR PART NO 1.3)	10
6310	STATOR HOUSING	01	13	HEX NUT (FOR PART NO 09,10,11 & 12)	10
5680	BONDED BUSH	01	12	HEX HEAD BOLT (FOR PART NO 0110 & 5010)	04
5010	PUMP HOUSING	01	11	HEX HEAD BOLT (FOR PART NO 6310 & 0740)	02
3200	SHAFT	01	10	HEX HEAD BOLT (FOR PART NO. 5010 & 6310)	02
2830	MECH SEAL RETAINER	01	09	HEX HEAD BOLT (FOR PART NO 0110 & 0750)	02
2500	ROTOR	01	08	HEX SOCKED HD.CAP SCREW (FOR PART NO 0410)	04
2230	STATOR	01	07	TAPER PLUG	01
1710	WATER THROWER	01	06	CIRCLIP (EXTERNAL)	02
0410	BEARING COVER	01	05	BALL BEARING (LARGE)	01
0750	BEARING HOUSING FOOT	01	04	BALL BEARING (SMALL)	01
0740	STATOR HOUSING FOOT	01	03	GREASE SEAL	01
0110	BEARING HOUSING	01	02	PARALLEL KEY	01
SEQ. NO.	DESCRIPTION	NO. OFF	SEQ. NO.	DESCRIPTION	NO OFF