

MODEL	ØA	Kw	rpm (min.)	rpm (máx.)	M	R	L.	PLATE	ØD	Fr (Kg)	F.Ax. (Kg)	WEIGHT APROX
FAV-08 06 C 13	2500	2.2	3	15	306	408	3200	520X520	215	32	117	430

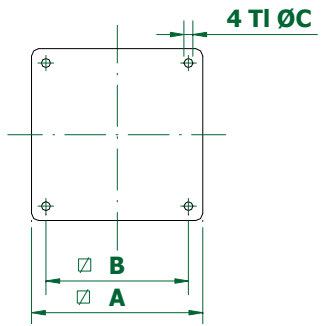



PLATE	A	B	ØC
520X520	520	460	24

6	PROPELLER	
5	SHAFT	
4	COUPLING	
3	FIXATION PLATE	
2	REDUCER GEAR	
1	MOTOR 2,2 Kw 230/400V 50Hz IP55/H + PTC + cap	
Ref.	Description	Material

	HESPERIA	
	FAV - 08 06 C 13 / 32.6	Sr./Sra.: S/Ref.: Oferta: Rev.: Fecha:
MAIN DIMENSIONS		