



### Main Features:

- Complete system of filtration composed with sediments filter and reverse osmosis membranes (2x135GPD)
- Closing electrovalve of inlet water electronic controlled by the level detector of accumulation tank
- Electronic control for opening of flushing valve (washing membrane)
- Connection for auxiliar pump (optional)
- Feeding electrovalves 12V

Technical Data	FLIPPER-2
Reference	A-271000
Feeding	Inlet: 220V/50Hz
Power	25W
Starting	Level detector of accumulation tank
RO membrane capacity	270 GPD
Nº Membranes RO	2
Consumption reject water	2880 L/d
Consumption osmosis water	1200 L/d
Max. Flow	0,7 L/min a 5 bar
Measures	420mmx170mmx370mm
Feeding E.Valve	12V

Inlet Pressure	3 - 8 bar
Inlet water temp.	4 - 45 °C
Máx. Inlet TDS	More than 2000 ppm consult Technical Service
TDS elimination	95±15%
Recuperation	21,7 - 22,6%
Max. inlet water hardness	25 french degrees
Range PH	4 - 11
Production	1200 l/d

### Components

#### Sediment Prefilter

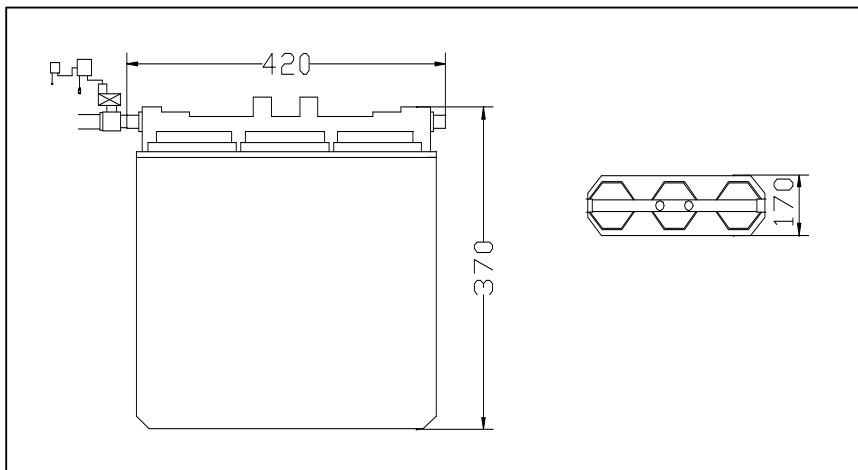
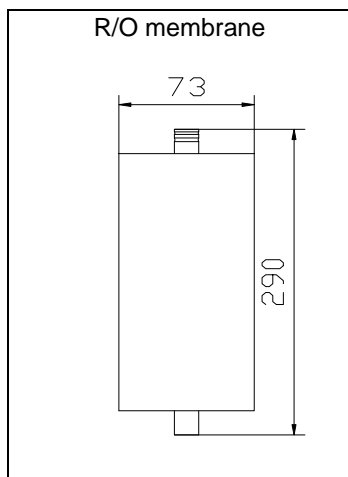
Material	Celulose Acetate
Function	Particles suspension retention > 5µ.
Aprox. Life-time	3 months. Depending on inlet water

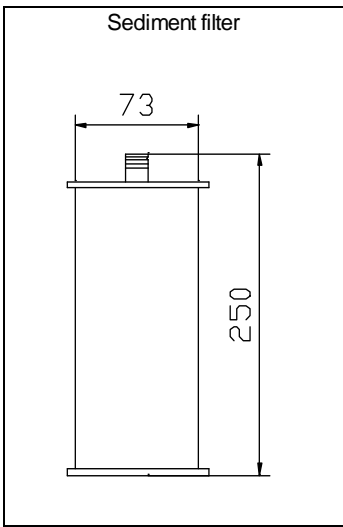
#### Reverse Osmosis Membranes

Material	Polyamide TFC
Production	2 x 135 GPD (measures 3012)
Approx. Life-time	1-2 years. Depending on inlet

### Spare parts

Membrane Flipper	C-270005
Circuit/PCB Flipper	C-270007
Shut-off valve Flipper	C-270006
Manifold triple Flipper	B-265010
Frame Flipper	B-265015
Vessel transparent with brass threading	B-265005
Anti-retrogression & Flow-restrictor	B-265001
Gasket for vessels	C-185020
Transformer	C-270016





Compañía Europea del Agua, S.A.  
Pol. Ind. Rosanès  
Alemania R.F. - Parcela 57  
08769 Castellví de Rosanès  
Barcelona -España  
Tel. 34-93-776 63 44  
Fax: 34-93- 774 11 04  
[www.ceasaespana.com](http://www.ceasaespana.com)