

Introduction

If you want to find out if an oscillating metering pump really is discharging, you just have to use the flow monitor and all doubts are easily removed.

The flow monitor can be installed and retrofitted with no problem.

Just screw off the discharge line, screw the flow monitor onto the discharge valve and re-connect the line. If the metering pump discharges, the white ball will jump. Each metering stroke causes a ball stroke.

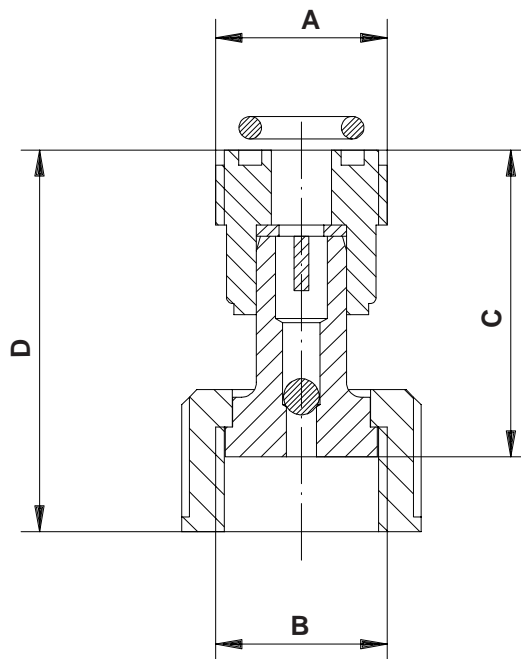
The design is such that ball movements can be noticed at a discharge range from 0.1 l/h to 45 l/h.

With uniform discharge, the ball would always be in the upper position.



Technical data

Material	PVC grey, PVC transparent, PVDF Viton ceramic Al2 O3
max. pressure:	10 bar
max. pulsed flow:	45 l/h



Selection table

conn. dim.		dim. C	dim. D	Part No.
dim. A	dim. B			
G 5/8	G 5/8	41	51	13334190
G 3/4	G 3/4	42	55	13334191