

## Product Information Flow sensor FLOWCON

### The flow under control

The flow sensor FLOWCON was developed particularly for the monitoring of pulsating flows. The flow sensor FLOWCON can be applied in many different dosing systems.

### Compact and compatible

Due to its very compact design, it can be mounted directly to the discharge valve of a dosing pump. A reed contact gives a potential free impulse on each stroke of the dosing pump.

In combination with the electronic evaluation unit FLOWCON an operator has an effective and exact monitoring system for the liquid behavior in discharge lines at hand.

The FLOWCON is available with various connectors and can, therefore, be mounted to a number of different metering pumps. Due to the different materials, the FLOWCON can be used together with a variety of chemicals.

### Keeping an eye on the pulse

The function is based upon the evaluation of a pulse-like conveying characteristic that is typical for dosing pumps. During the discharge stroke a float element is lifted by the flowing liquid and thereby switches a reed contact. A bypass valve allows for the monitoring of dosing ranges of 0.05...12 l/hr with solenoid-driven dosing pumps and 0.5...50 l/hr with motor-driven dosing pumps.

The electronic evaluation can be carried out by an on-site PLC, meters or the electronic evaluation unit FLOWCON, specifically developed for this purpose.

To avoid an interaction of FLOWCON and solenoid diaphragm dosing pumps keep a distance of 20 cm.

### In short

- Efficient monitoring of pulsating flows
- Compact design and high product stability
- Simple handling
- Chemical feed ranges between 0.05 and 50 l/hr



### Technical data

Housing material	PVC or PMMA
Sealing material	FPM or EPDM
Connections	Inlet: Union nut G 5/8 or G 3/4 Output: male thread G 5/8 or G 3/4
Dosing ranges	Solenoid-driven dosing pumps: 0.05...12 l/hr (not suitable for MAGDOS LT 17) Motor-driven dosing pumps: 0.5...50 l/hr
Max. system pressure	10 bar
Max. viscosity at stroke frequency 100/min	20 mPas (20 cps)
Max. viscosity at stroke frequency 150/min	10 mPas (10 cps)
Max. medium temperature	35 °C
Electric rating reed contact	48 V AC/DC, 0.5 A, max. 12 VA

## Product Information Flow sensor FLOWCON

### Model variants

Product name	Material	Connections	Order no.
Flow sensor FLOWCON	PVC/FPM	G 5/8	13300302
	PVC/FPM	G 3/4	13300304
	PMMA/FPM	G 5/8	13338132
	PMMA/FPM	G 3/4	13338134
	PVC/EPDM	G 5/8	13300402
	PVC/EPDM	G 3/4	13300404
	PMMA/EPDM	G 5/8	13300202
	PMMA/EPDM	G 3/4	13300204

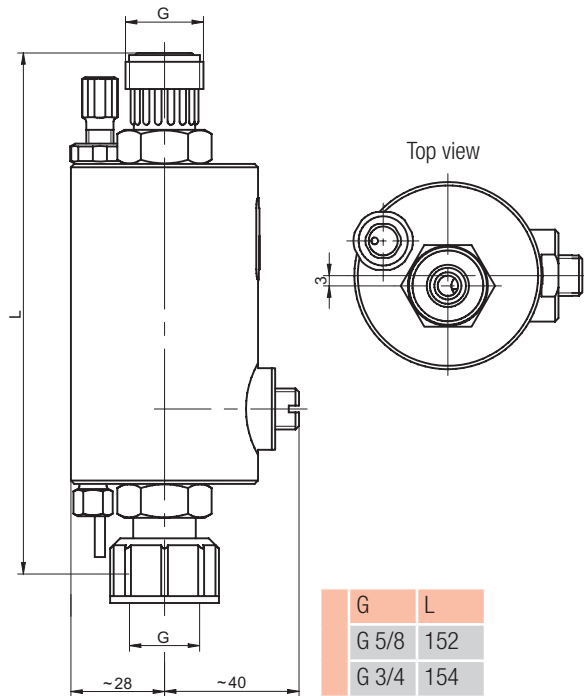
Product name	Connections	Assembly	Order no.
Electronic evaluation unit FLOWCON	230 V	Wall mount	13300100
	115 V	Wall mount	13300101
	230 V	Panel mount	13300102
	115 V	Panel mount	13300103

### Accessories

In addition to the FLOWCON, the following accessories are available for the assembly and operation:

Description	Order no.	
Stroke sensor HR for MAGDOS 01...12	13234247	
Stroke sensor HR for MAGDOS 20...100	13234557	
Stroke sensor for motor-driven pumps	79047	
Base mount PVC	Tubing connection 4/6 - G 5/8	34560
	Tubing connection 6/12 - G 5/8	34561
	Tubing connection 6/12 - G 3/4	34562
Wall mount PVC	G 5/8	34563
	G 3/4	34564

### Dimensional figure



All measurements are given in mm