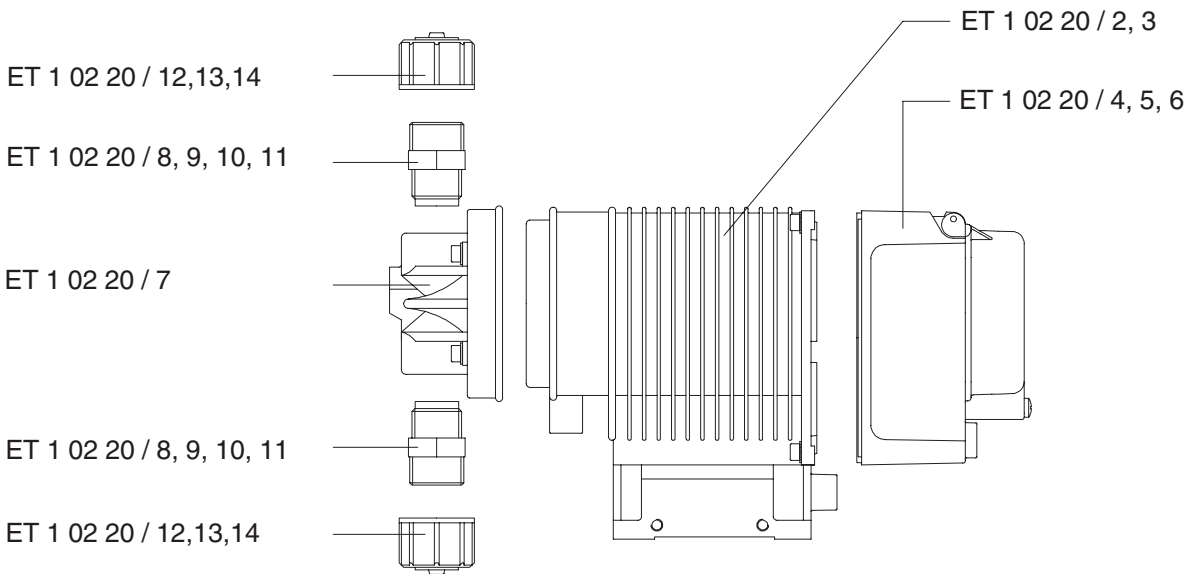
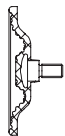


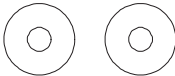


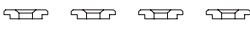


View of key components



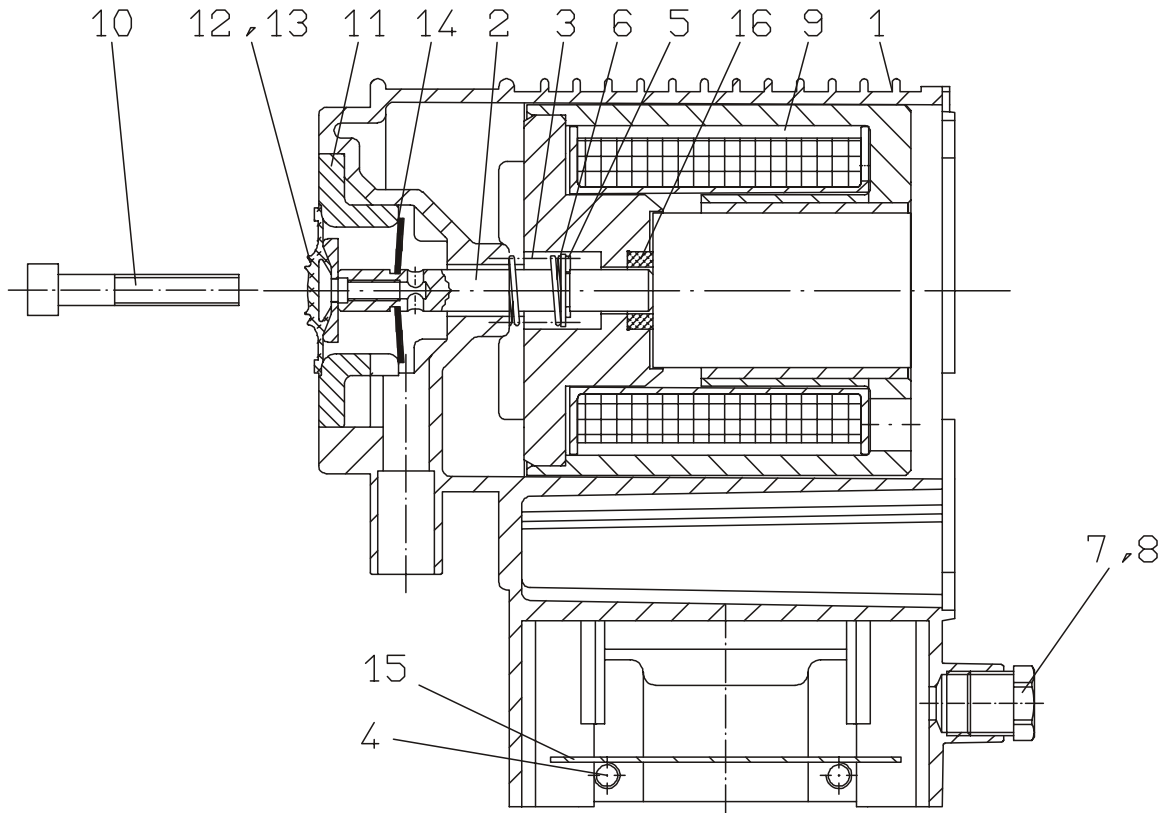
MAGDOS DE / DX

Spare parts kit

Consisting of:		Pump type	Head material	Sealings	Part Number
      	<p>Diaphragm O-rings Gaskets Valve balls Valve seats</p>	01	PVC, PMMA PVC, PMMA	FPM PTFE	33066 33067
		03	PVC, 1.4571 PVDF PVC, 1.4571	FPM FPM PTFE	29742 33853 29758
		07 ... 4	PVC PVDF PVC PVDF PVC 1.4571	FPM FPM PTFE PTFE EPDM PTFE	29746 33854 29759 33859 33696 29747
		8	PVC PVDF PVC PVDF PVC 1.4571	FPM FPM PTFE PTFE EPDM PTFE	29748 33855 29790 33860 33697 29749
		12	PVC PVDF PVC PVDF PVC 1.4571	FPM FPM PTFE PTFE EPDM PTFE	29750 33856 29791 33861 33698 29751
		20	PVC PVC 1.4571	CSM FPM AF	27802 27803 27808
		40	PP PP 1.4571	CSM FPM AF	27804 27805 27810
		100	PP PP 1.4571	CSM FPM AF	27806 27807 27812

Drive units MAGDOS DE / DX 01 ...12

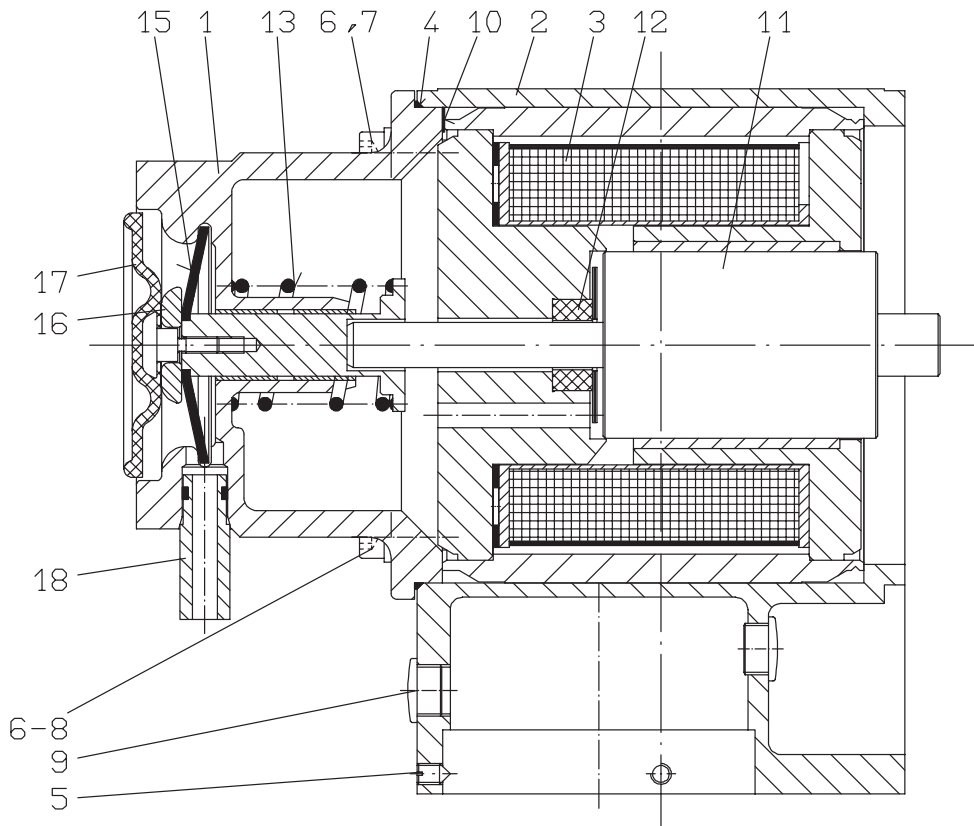
MAGDOS DE / DX



Item	Description	Qty	Pump type						
			01	03	07	2	4	8	12
1	Housing	1	27078						
2	Diaphragm rod	1	32713						
3	Pressure spring	1	29382						
4	Screw	4	83613						
5	Snap ring	1	84154						
6	Washer	1	84144						
7	Cable gland nut PG7	1	78786						
8	Grommet PG7	1	78787						
9	Solenoid	230 V ~	1	32730		32714	32715		
		115 V ~	1	32746		32748			
10	Solenoid retaining screw	2	83514						
11	Diaphragm insert	1	32958	28849		28850		28851	28852
12	Diaphragm	1	81683	81424				81463	81464
13	Support plate (*spacer)	1	—		29312		23892		*33897
14	Deflector plate	1	22066						
15	Cover plate	1	33164						
16	Damping ring	1	81680		78509				

Drive units MAGDOS DE / DX 20 ... 100

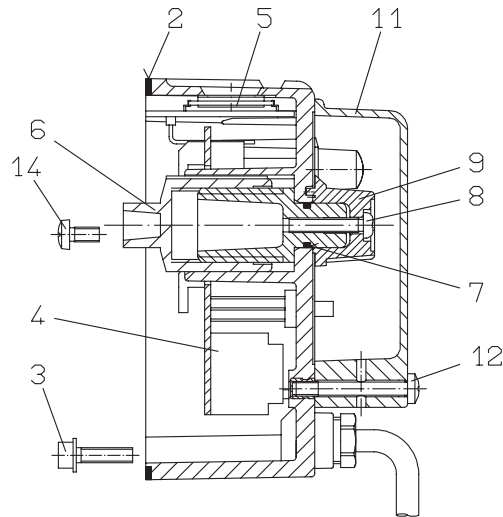
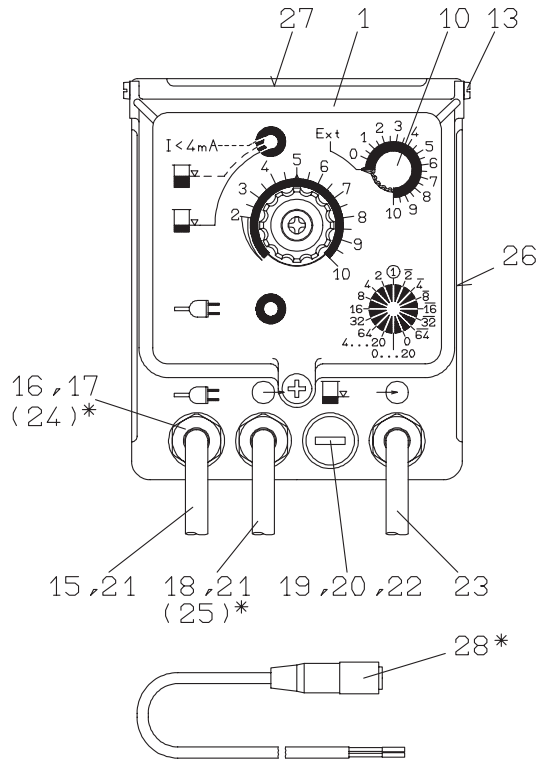
MAGDOS DE / DX



Item	Description	Qty	Pump type		
			20	40	100
1	Diaphragm flange	1	23913	24024	24041
2	Housing	1	21593		
3	Solenoid assembly 230 V	1	79020		
	Solenoid assembly 115 V	1	79021		
4	Sponge rubber cord	1	97593		
5	Screw	3	83105		
6	Socket-head cap screw	4	83668		
7	Washer	3	84160		
8	Toothed washer	1	84145		
9	Dummy plug	2	78788		
10	Foam rubber	3	81727		
11	Armature	1	21738		
12	Buffer ring	1	78511		
13	Pressure spring	1	19617		
14	Diaphragm rod	1	19780	21599	21600
15	Deflector plate	1	22056	22057	22058
16	Support plate	1	28977	—	—
17	Diaphragm	1	81465	81466	81467
18	Leakage pipe	1	25174	25190	
19	O-ring	1	80005	80058	

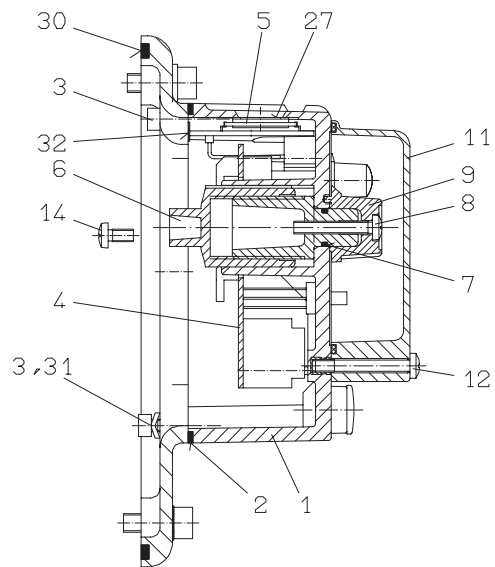
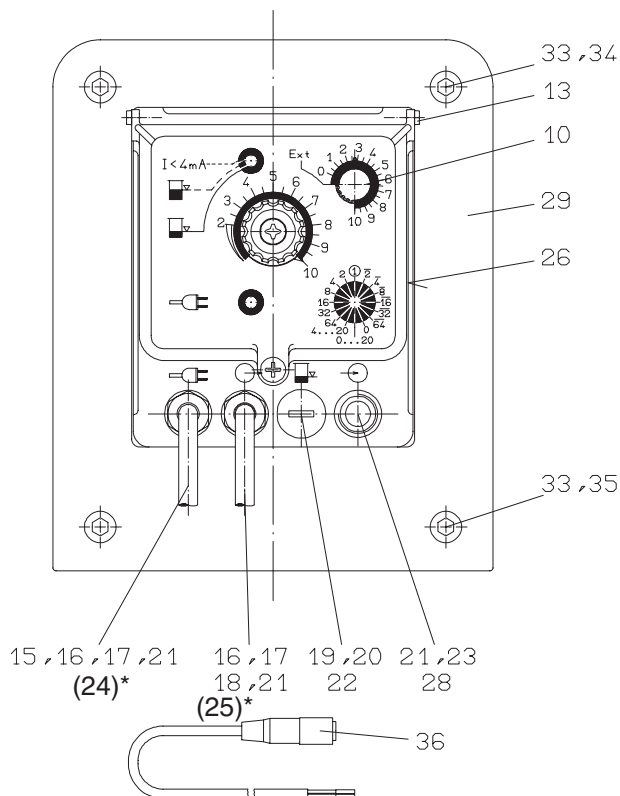
ET 1 02 20 / 4

Control unit for DE / DX 01...12



* only with 115 V version

Control unit for DE / DX 20...100



* only with 115 V version

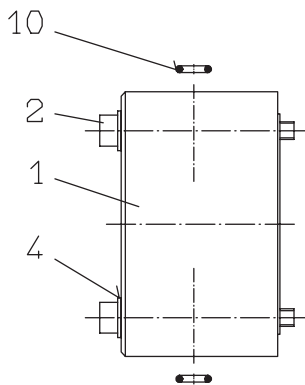
MAGDOS DE / DX

Control unit DE / DX 01...12

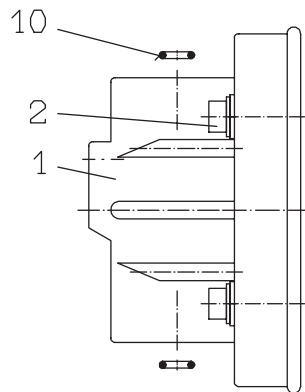
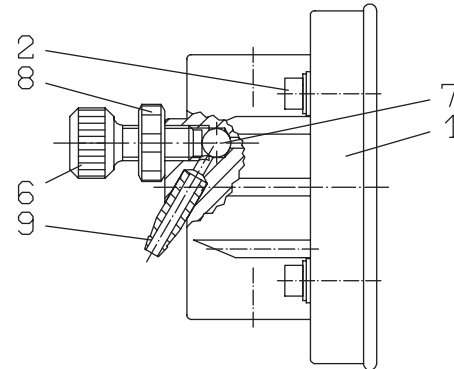
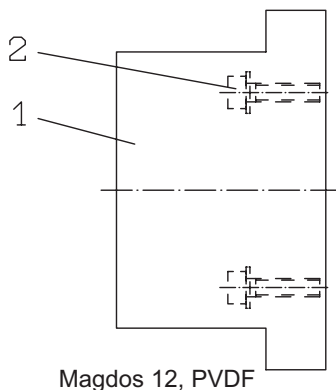
Item	Description:	Part No.								
		DE	DE...S	DE...D	DE...SD	DX	DX...S	DX...D	DX...SD	
1	Housing for version	230 V	33873		33874		33875		33876	
		115 V	34130		34131		34132		34133	
2	Housing seal		81710							
3	Screw		83409							
4	Electronics	230 V ~	78682	78683	78682	78683	78684			
		115 V ~	78663				78664			
5	Display board		—		78782		—		78782	
6	Stroke adjustment	01, 03	34045							
		07, 2	34046							
		4	34047							
		8, 12	34048							
7	O-ring		80072							
8	Screw		83746							
9	Adjustment knob		32661							
10	Adjustment knob		33877							
11	Control cover		22247							
12	Locking screw		21587							
13	Screw		83543							
14	Screw		83653							
15	Power supply cable	230 V ~	78997							
		115 V ~	79013							
16	Cable gland nut	PG7	78786							
17	Grommet	PG7	78787							
18	Warning relay cable	230 V	—	78800	—	78800	—	78800	—	78800
		115 V	—	78980	—	78980	—	78980	—	78980
19	Jack socket		33878							
20	Cover plug	230 V	78788							
21	Insulation adapter plug		78916							
22	Dummy plug		29115							
23	External control cable connection socket	230 V	78947							
		115 V	33317							
24	Gland nut (115V)	PG9	78904							
25	Gland nut (115V)	PG7	—	78615	—	78615	—	78615	—	78615
26	Calibration table	01	—							
		03	33867							
		07	33868							
		2	33869							
		4	33870							
		8	33871							
	12	33872								
27	Display film		—		78665		—		78665	
28	Cable with plug for external control 115 V		32916							

Control unit DE / DX 20...100

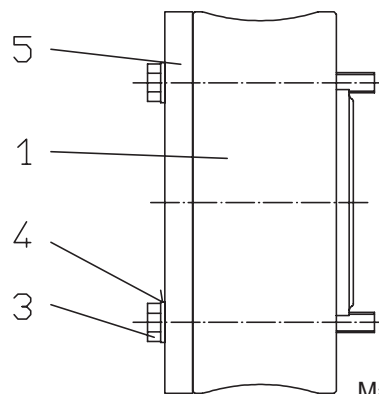
Item	Description:	Part No.								
		DE	DE...S	DE...D	DE...SD	DX	DX...S	DX...D	DX...SD	
1	Housing for version	230 V	33873		33874		33875		33876	
		115 V	34130		34131		34132		34133	
2	Housing seal	81710								
3	Screw	83187								
4	Electronics	230 V ~	79016			79017				
		115 V ~	79018			79019				
5	Display board	—		78782		—		78782		
6	Stroke adjustment	34351								
7	O-ring	80072								
8	Screw	83746								
9	Adjustment knob, stroke length	32661								
10	Adjustment knob, internal - external	33877								
11	Control cover	22247								
12	Locking screw	21587								
13	Screw	83543								
14	Screw	83653								
15	Power supply cable	230 V ~	78997							
		115 V ~	79013							
16	Cable gland nut	PG7	78786							
17	Grommet	PG7	78787							
18	Warning relay cable	230 V	—	78800	—	78800	—	78800	—	78800
		115 V	—	78980	—	78980	—	78980	—	78980
19	Jack socket	33878								
20	Cover plug for version	230 V	78788							
21	Insulation adapter plug	78916								
22	Dummy plug	29115								
23	Chinch plug	230 V	33879							
	3-pole connection socket	115 V	33317							
24	Gland nut (115V)	PG9	78904							
25	Gland nut (115V)	PG7	—	78615	—	78615	—	78615	—	78615
26	Calibration table	20	34348							
		40	34349							
		100	34350							
27	Display film	—		78665		—		78665		
28	Dummy plug	25084								
29	Spacer	21594								
30	Sponge rubber cord	97113								
31	Cable clamping ring	84188								
32	Foam rubber	—		81727		—		81727		
33	Socket-head cap screw	83292								
34	Washer	84021								
35	Toothed washer	84145								
36	Cable with plug for external control	for 230 V	25096							
		for 115 V	32916							

Metering heads


Magdos 01, PMMA


 Magdos 01, PVC
 Magdos 2...12, PVC
 Magdos 03...8, PVDF
 Magdos 03...12, 1.4571

 Magdos 03 and 07, PVC
 including automatic
 head venting


Magdos 12, PVDF



Magdos 20...100

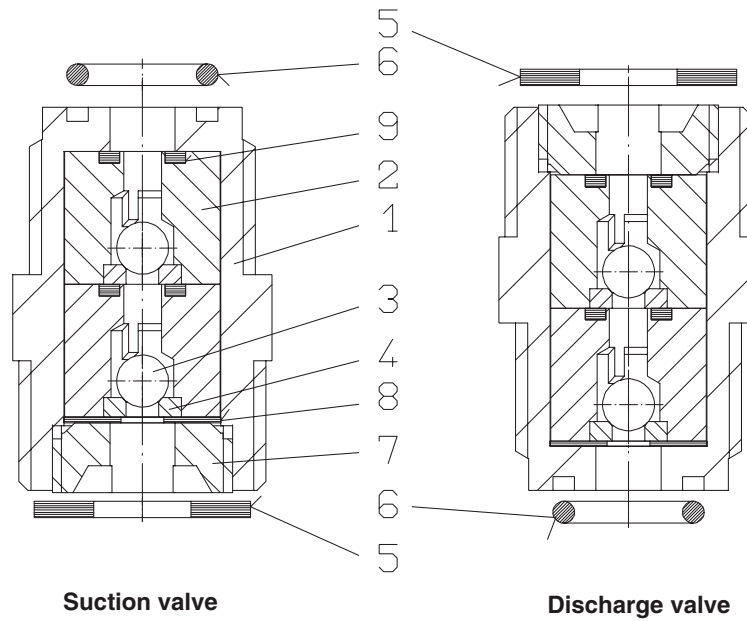
Item	Description:	Qty	Head material:					
			PMMA	PVC	PVDF	1.4571	PP	
1	Diaphragm housing	01	1	32960	32919	—	—	—
		03, 07	1	—	25960 ¹⁾	28114	22527	—
		2, 4	1	—	21603	28116	21611	—
		8	1	—	21222	28118	21612	—
		12	1	—	22399	28689	21613	—
		20	1	—	18113	—	23912	—
		40, 100	1	—	—	—	22329	22044
2	Socket-head cap screw	01...12	4	83551	83409	83409	83622	—
3	Hex. head screw	20	4	—	83110	—	83110	—
		40, 100	4	—	—	—	83685	83495
4	Washer	01	4	84143	—	—	—	—
		20	4	—	84160	—	84160	—
		40, 100	4	—	—	—	84174	84174
5	Pressure plate	40, 100	1	—	—	—	—	18453
6	Venting screw	03, 07	1	—	32142	—	—	—
7	Valve ball	03, 07	1	—	29778	—	—	—
8	Nut	03, 07	1	—	32143	—	—	—
9	Pipe union	03, 07	1	—	32845	—	—	—
8	O-ring ²⁾		2	80618	80618	—	—	—

1) only available as assembly (Part No. 25188)

2) Only for Magdos 01

DN 3 valves for MAGDOS 01 and 03 l/h

MAGDOS DE / DX



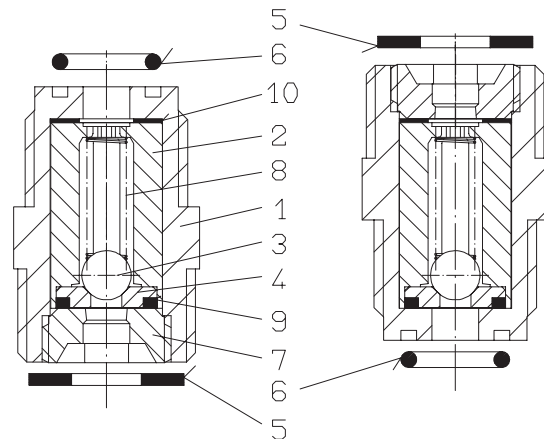
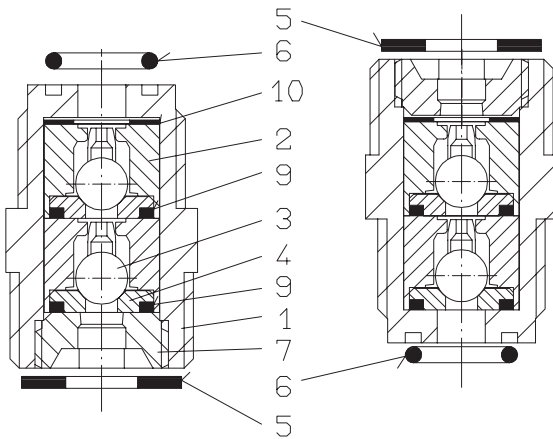
Item No.	Description	Part No.	Material	PVC	PVDF	1.4571
1	Valve body	20845	PVC	1	—	—
	Valve body	28108	PVDF	—	1	—
	Valve body	19289	1.4571	—	—	1
2	Ball guide	29446	PVC	2	—	—
	Ball guide	29901	PVDF	—	2	—
	Ball guide	28460	1.4571	—	—	2
3	Valve ball	81550	Ceramic	2	2	2
4	Valve seat	81549	Ceramic	2	2	2
5	Gasket	81371	FPM	1	—	1
	Gasket	81580	PTFE	—	1	—
6	O-ring	81384	FPM	1	1	1
7	Cover plug	19299	PVC	1	—	—
	Cover plug	28110	PVDF	—	1	—
	Cover plug	24031	1.4571	—	—	1
8	Gasket	81551	FPM	1	1	1
9	O-ring	80618	FPM	2	2	2
Suction valve assembly				29434	33700	28459
Discharge valve assembly				29435	33701	28461

DN 4 valves for MAGDOS 07 . . . 12 l/h

MAGDOS DE / DX

Double-ball valves

Spring-loaded single-ball valves



Suction valve

Discharge valve

Suction valve

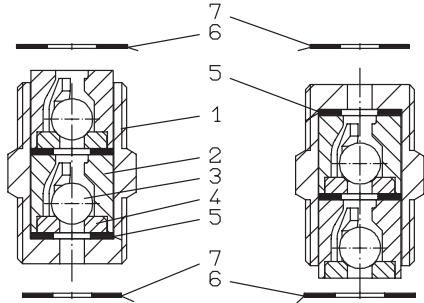
Discharge valve

Item No.	Description	Part No.	Material	Double-ball valve			Spring-loaded valve		
				PVC	PVDF	1.4571	PVC	PVDF	1.4571
1	Valve body	20845	PVC	1	—	—	1	—	—
	Valve body	28108	PVDF	—	1	—	—	1	—
	Valve body	19289	1.4571	—	—	1	—	—	1
2	Ball guide	19294	PVC	2	—	—	—	—	—
	Ball guide	28109	PVDF	—	2	—	—	—	—
	Ball guide	19293	1.4571	—	—	2	—	—	—
	Ball guide	24066	PVC	—	—	—	1	—	—
	Ball guide	29386	PVDF	—	—	—	—	1	—
3	Valve ball	29778	Glass	2	—	—	1	—	—
	Valve ball	18044	1.4401	—	—	2	—	—	1
	Valve ball	25247	PTFE	—	2	—	—	1	—
4	Valve seat	81460	PVDF	2	2	2	1	1	1
5	Gasket	81371	FPM	1	—	—	1	1	—
	Gasket	81677	PTFE	—	—	1	—	—	1
	Gasket	81138	FPM	—	1	—	—	—	—
6	O-ring	81384	FPM	1	1	—	1	1	—
	O-ring	80617	PTFE	—	—	1	—	—	1
7	Cover plug	19299	PVC	1	—	—	1	—	—
	Cover plug	28110	PVDF	—	1	—	—	1	—
	Cover plug	24031	1.4571	—	—	1	—	—	1
8	Valve spring	25081	Hastelloy	—	—	—	1	1	1
9	O-ring	80013	FPM	2	2	—	1	1	—
	O-ring	80627	PTFE	—	—	2	—	—	1
10	Gasket	81526	FPM	1	1	—	1	1	—
	Gasket	81585	PTFE	—	—	1	—	—	1
Suction valve assembly				20890	33703	24029	25087	34370	25089
Discharge valve assembly				20891	33704	24030	25088	34371	25090

ET 1 02 20 / 10

DN 6 valves for MAGDOS DE / DX 20

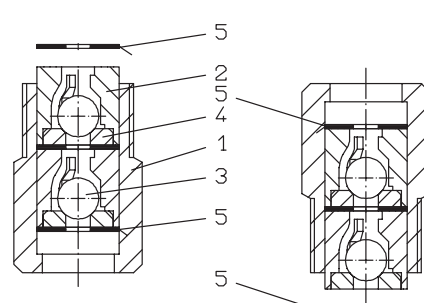
PVC version



Suction valve

Discharge valve

Stainless steel version

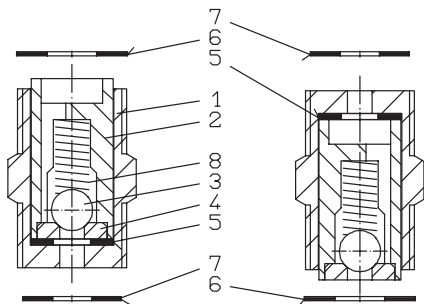


Suction valve

Discharge valve

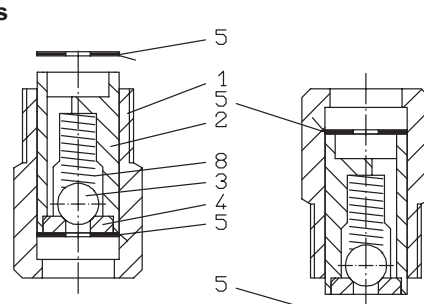
Double-ball valves

Spring-loaded valves



Suction valve

Discharge valve



Suction valve

Discharge valve

Item	Description	Material	Part No.	Double-ball valve						Spring-loaded valve						
				Suction valve			Discharge valve			Suction valve			Discharge valve			
				PVC	1.4571	PVC	1.4571	PVC	1.4571	PVC	1.4571	PVC	1.4571			
				Sealing material: CSM, FPM, AF=asbestos-free												
				CSM	FPM	AF	CSM	FPM	AF	CSM	FPM	AF	CSM	FPM	AF	
				18187	18185	26967	18188	18186	26968	25161	25162	28775	27516	27517	28776	
1	Valve housing	PVC	18189	1	1	—	1	1	—	1	1	—	1	1	—	
		1.4571	19601	—	—	1	—	—	1	—	—	1	—	—	1	
2	Ball guide	PVC	82405	2	2	—	2	2	—	—	—	—	—	—	—	
		1.4581	82102	—	—	2	—	—	2	—	—	—	—	—	—	
		PVC	23412	—	—	—	—	—	—	—	1	1	—	1	1	—
		1.4571	25169	—	—	—	—	—	—	—	—	1	—	—	1	
3 *	Valve ball	Glass	10017	2	2	—	2	2	—	1	1	—	1	1	—	
		1.4401	10136	—	—	2	—	—	2	—	—	1	—	—	1	
4 *	Valve seat	PVC	82406	2	2	—	2	2	—	1	1	—	1	1	—	
		1.4571	82103	—	—	2	—	—	2	—	—	1	—	—	1	
5 *	Gasket	CSM	81037	2	—	—	2	—	—	1	—	—	1	—	—	
		FPM	81138	—	2	—	—	2	—	—	1	—	—	1	—	
		AF	81625	—	—	3	—	—	3	—	—	2	—	—	2	
6 *	Gasket	CSM	81033	1	—	—	1	—	—	1	—	—	1	—	—	
		FPM	81285	—	1	—	—	1	—	—	1	—	—	1	—	
		AF	81625	—	—	1	—	—	1	—	—	1	—	—	1	
7 *	Gasket	CSM	81041	1	—	—	1	—	—	1	—	—	1	—	—	
		FPM	81141	—	1	—	—	1	—	—	1	—	—	1	—	
8 *	Valve spring	Hastelloy	25082	—	—	—	—	—	—	1	1	1	1	1	1	

* Recommended spare parts included in spare parts kit on ET 1 02 20 / 1.

Lutz-Jesco GmbH

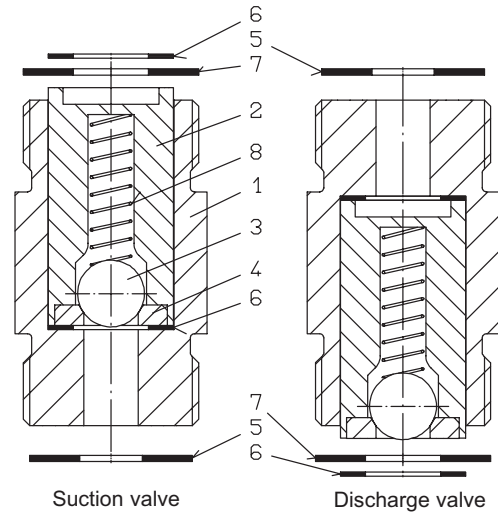
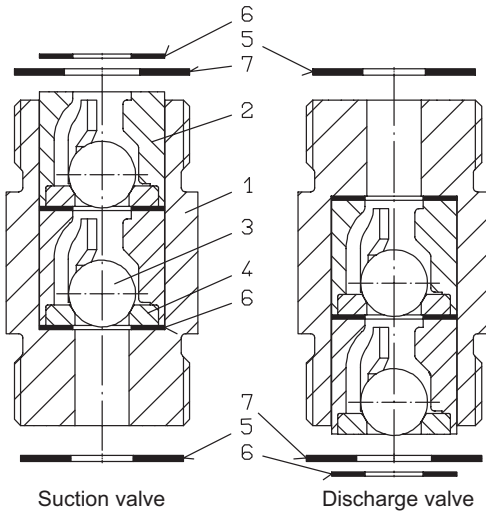
Improved changes are always reserved without notice.

MAGDOS DE / DX

DN 10 valves for MAGDOS DE/DX 40 and 100

PVC version

Stainless steel version

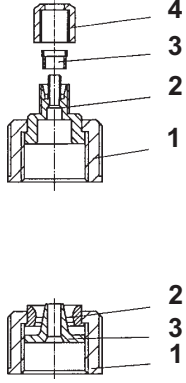
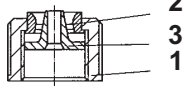
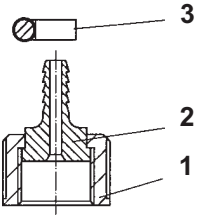
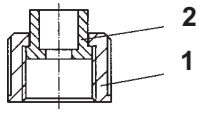
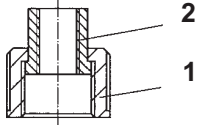
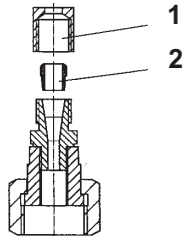


MAGDOS DE / DX

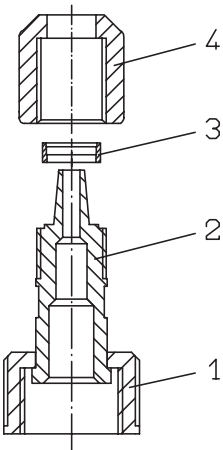
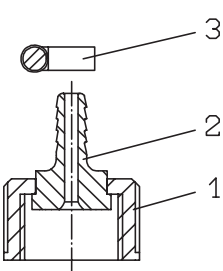
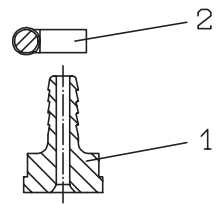
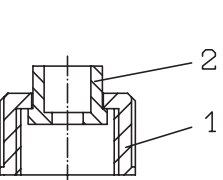
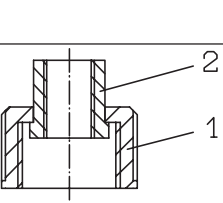
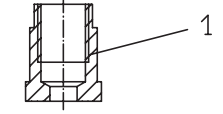
Item	Description	Material	Part No.	Double-ball valve						Spring-loaded valve					
				Suction valve			Discharge valve			Suction valve			Discharge valve		
				PP	1.4571	PP	1.4571	PP	1.4571	PP	1.4571				
				Sealing material: CSM, FPM, AF=asbestos free											
	CSM	V	AF	CSM	V	AF	CSM	V	AF	CSM	V	AF			
	26841	26842	29694	27356	27357	29695	26845	25707	29696	27353	27354	29697			
1	Valve housing	PP	32453	1	1	—	1	1	—	1	1	—	1	1	—
		1.4571	32449	—	—	1	—	—	1	—	—	1	—	—	1
2	Ball guide	PP	34142	2	2	—	2	2	—	—	—	—	—	—	
		1.4581	82112	—	—	2	—	—	2	—	—	—	—	—	
		PP	22882	—	—	—	—	—	—	1	1	—	1	1	—
		1.4571	22881	—	—	—	—	—	—	—	—	1	—	—	1
3 *	Valve ball	Glass	82457	2	2	—	2	2	—	1	1	—	1	1	—
		1.4401	82114	—	—	2	—	—	2	—	—	1	—	—	1
4 *	Valve seat	PP	82456	2	2	—	2	2	—	1	1	—	1	1	—
		1.4571	82113	—	—	2	—	—	2	—	—	1	—	—	1
5 *	Gasket	CSM	31035	1	—	—	1	—	—	1	—	—	1	—	—
		FPM	81198	—	1	—	—	1	—	—	1	—	—	1	—
		AF	81629	—	—	1	—	—	1	—	—	1	—	—	1
6 *	Gasket	CSM	81238	2	—	—	2	—	—	1	—	—	1	—	—
		FPM	81276	—	2	—	—	2	—	—	1	—	—	1	—
		AF	81627	—	—	3	—	—	3	—	—	2	—	—	2
7 *	Gasket	CSM	81239	1	—	—	1	—	—	1	—	—	1	—	—
		FPM	81277	—	1	—	—	1	—	—	1	—	—	1	—
		AF	81628	—	—	1	—	—	1	—	—	1	—	—	1
8 *	Valve spring	Hastelloy	32577	—	—	—	—	—	—	1	1	1	1	1	1

* Recommended spare parts included in spare parts kit on ET 1 02 02 / 1.

Connections for DE / DX 01...12

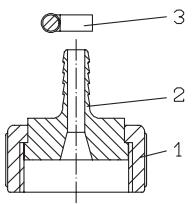
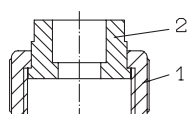
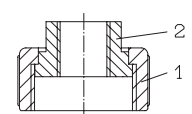
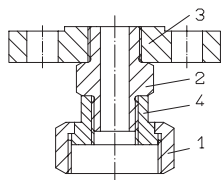
	Type	Material	Size	Conn. Assembly Part No.	Item	Spare parts description	Part No.			
	A	PVC	4/6	20975	1	Union nut	88116			
					2	Connection	88012			
					3	Clamping ring	88003			
					4	Union nut	88004			
			1	Union nut	82087					
			2	Connection	21852					
			4	Union nut	19397					
			6/8	25176	1	Union nut	82087			
					2	Connection	31370			
			4	Union nut	19397	6/12	32980	1	Union nut	88116
								2	Connection	32572
			3	Clamping ring	32571					
		4	Union nut	88004						
			PVCDF	4/6	29387	1	Union nut	28120		
2	Connection					88028				
3	Clamping ring			88003						
4	Union nut			88004						
6/12	33161	1	Union nut	88117						
		2	Connection	32572						
3	Clamping ring	32571								
	B	PVC	5/8	28106	1	Union nut	82087			
					2.1	Hose connection	18266			
					3	Hose clamp	82398			
					2.2	Cem. conn. part	82013			
		1.4571	6/12	23093	1	Union nut	19303			
					2	Hose connection	18045			
		3	Hose clamp	82398						
		PVC		23092	1	Union nut	82087			
					2	Hose connection	18042			
		3	Hose clamp	82398						
	C	PVC	10	23087	1	Union nut	82087			
					2	Cemented conn.	82014			
			12	23089	1	Union nut	82087			
					2	Cemented conn.	82013			
	D	PVC	G 1/4	23088	1	Union nut	82087			
					2	Threaded conn.	82185			
		PVDF			29179	1	Union nut	28120		
						2	Threaded conn.	28292		
		1.4571		22999	1	Union nut	19303			
					2	Threaded conn.	82186			
				E	1.4571	6	24959	1	Union nut	88034
								2	Clamping ring	88035
8	29371		1			Union nut	88036			
			2			Clamping ring	88037			
10	23090		1			Union nut	88038			
			2			Clamping ring	88039			
12	23091		1			Union nut	88040			
			2			Clamping ring	88041			

Connections for DE / DX 20

	Type	Material	Size	Conn. Assembly Part No.	Item	Spare parts description	Part No.
	A	PVC	6/8	28159	1	Union nut	82156
					2	Connection	31370
					4	Union nut	19397
			6/9	34926	1	Union nut	82156
					2	Connection	88199
					3	Clamping ring	34762
			6/12	19175	1	Union nut	82156
					2	Connection	18094
					3	Clamping ring	10178
		PP	6/9	34708	4	Union nut	82139
					1	Union nut	34675
					2	Connection	34668
3	Clamping ring				34762		
	B	PVC	6/12	23342	1	Union nut	82156
					2	Hose connection	18042
					3	Hose clamp	82398
	B1	1.4571	6/12	23426	1	Hose liner	18268
					2	Hose clamp	82398
	C	PVC	10	25167	1	Union nut	82156
			12	27518	2	Cem. connection	82014
					1	Union nut	82156
		PP	16	33793	2	Cem. connection	82013
					1	Union nut	23685
					2	Flange bushing	22508
	D	PVC	G 1/4	25165	1	Union nut	82156
					2	Threaded connection	82185
		PP	G 1/4	34676	1	Union nut	34675
					2	Threaded connection	34674
	D1	1.4571	G 1/4	82105	1	Flange bushing	82105

MAGDOS DE / DX

Connections for DE / DX 40 and 100

	Conn. type	Material	Size	Conn. Assbly Part No.	Item	Spare parts description	Part No.			
	B	PVC	ø 9/15	25921	1	Union nut	82213			
					2	Hose connection	25920			
					3	Hose clamp	82398			
			ø 16/26	25936	1	Union nut	82213			
					2	Hose connection	25934			
					3	Hose clamp	82413			
		PP	ø 16/26	35649	1	Union nut	34678			
					2	Hose connection	35648			
		1.4571	ø 9/15	25925	1	Union nut	29518			
					2	Hose connection	25928			
					3	Hose clamp	82398			
			ø 16/26	25935	1	Union nut	29518			
2	Hose connection				25933					
3	Hose clamp				82413					
	C	PVC	ø 16	27672	1	Union nut	82213			
					2	Cemented connection	27846			
			ø 20	25937	1	Union nut	82213			
					2	Cemented connection	25931			
			ø 25	33318	1	Union nut	82213			
					2	Cemented connection	82952			
		PP	ø 16	27664	1	Union nut	27661			
					2	Welded connection	35737			
			ø 20	35490	1	Union nut	27661			
					2	Welded connection	35489			
			ø 25	33319	1	Union nut	27661			
					2	Welded connection	88140			
	D	PVC	G 1/2	25943	1	Union nut	82213			
					2	Threaded connection	25940			
		PP	G 1/2	34689	1	Union nut	34678			
					2	Threaded connection	34677			
		1.4571	G 1/2	25944	1	Union nut	29518			
					2	Threaded connection	25938			
			G 3/4	27689	1	Union nut	29518			
					2	Threaded connection	27690			
			F	PVC	DN 15	25956	1	Union nut	82213	
							2	Flanged connection	32178	
							3	Flange	14264	
							1.4571	DN 15	25957	1
2	Flanged connection									21309
3	Flange									14200
4	Threaded connection			25938						

MAGDOS DE / DX