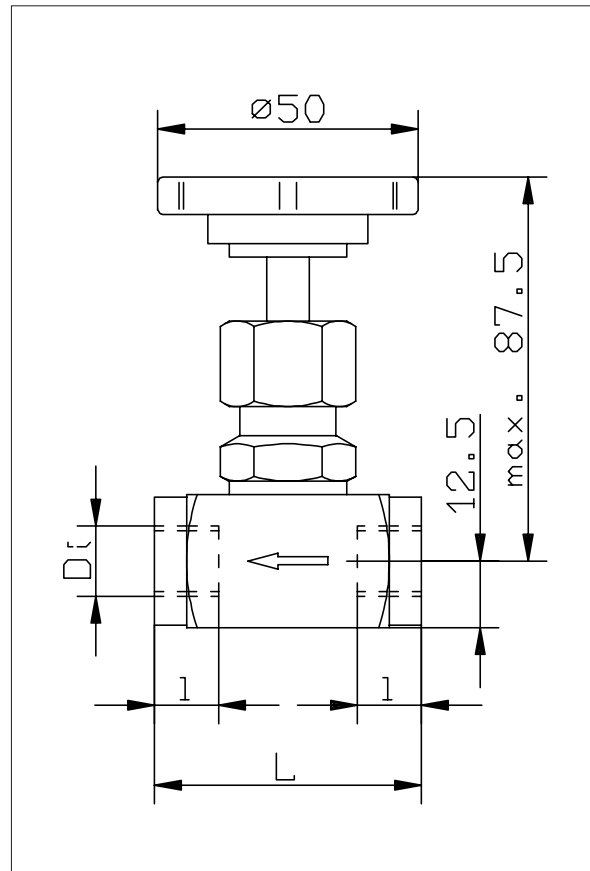


General

The needle shutoff valves are made of stainless steel (1.4571); teflon gland packings are used. Any mounting position is possible for the needle shutoff valve. For pressure and temperature, please refer to the following table. The flow direction is indicated by the arrow on the needle shutoff valve.



Needle Shutoff Valves

Selection table and technical data

Dimension Di	G 1/4	G 3/8
Flow Capacity in l/h	40	50
Temp. of Media	120°C max.	120°C max.
Backpressure	200 bar max.	200 bar max.
Dimension L	50	57
Dimension I	12	15
Part No.	12482099	12482098