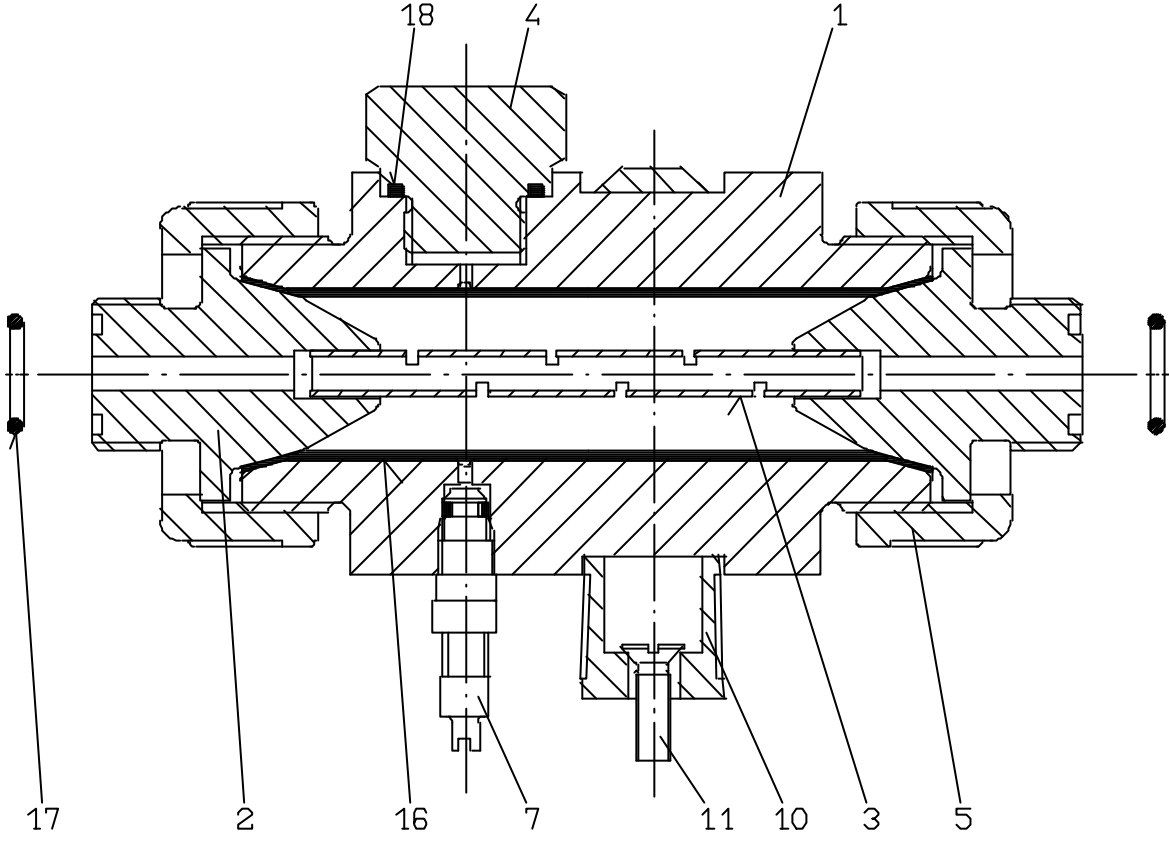
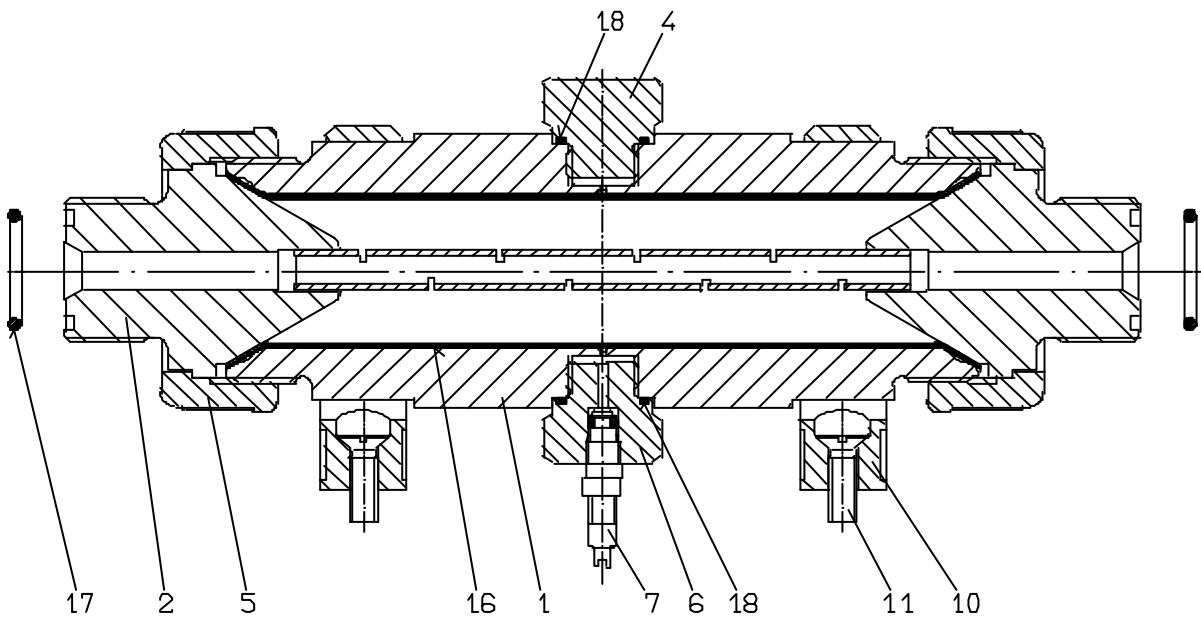


Pulsation Dampener PDS

PDS 80



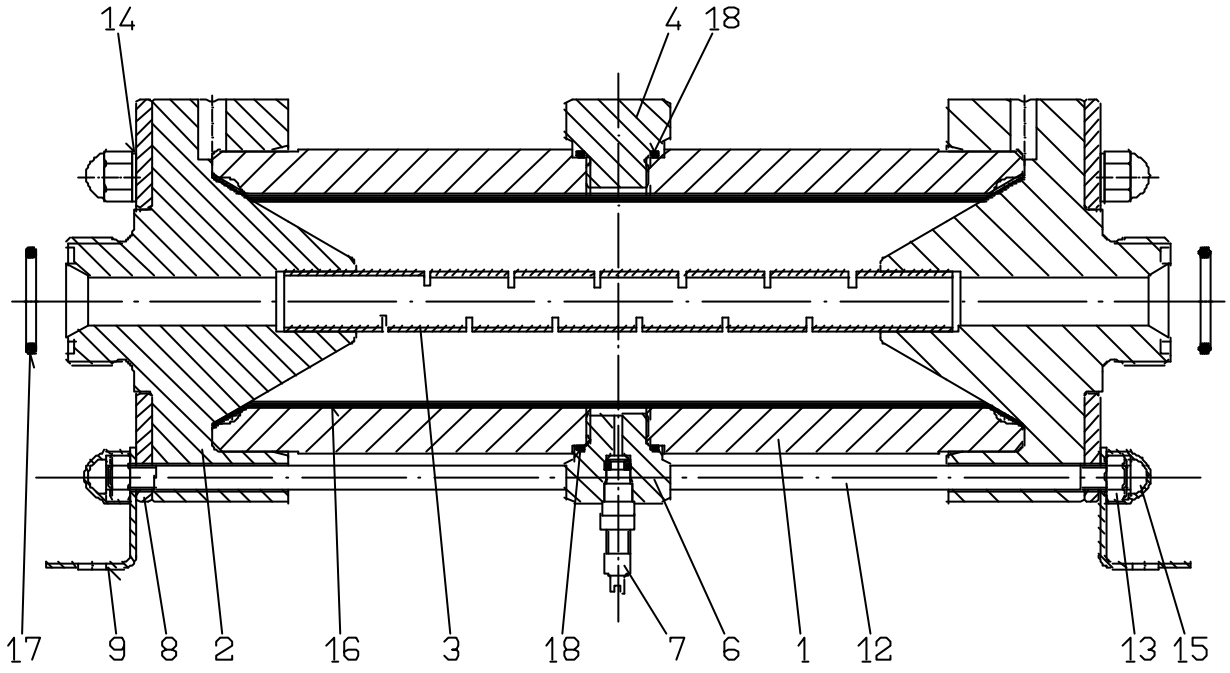
PDS 250



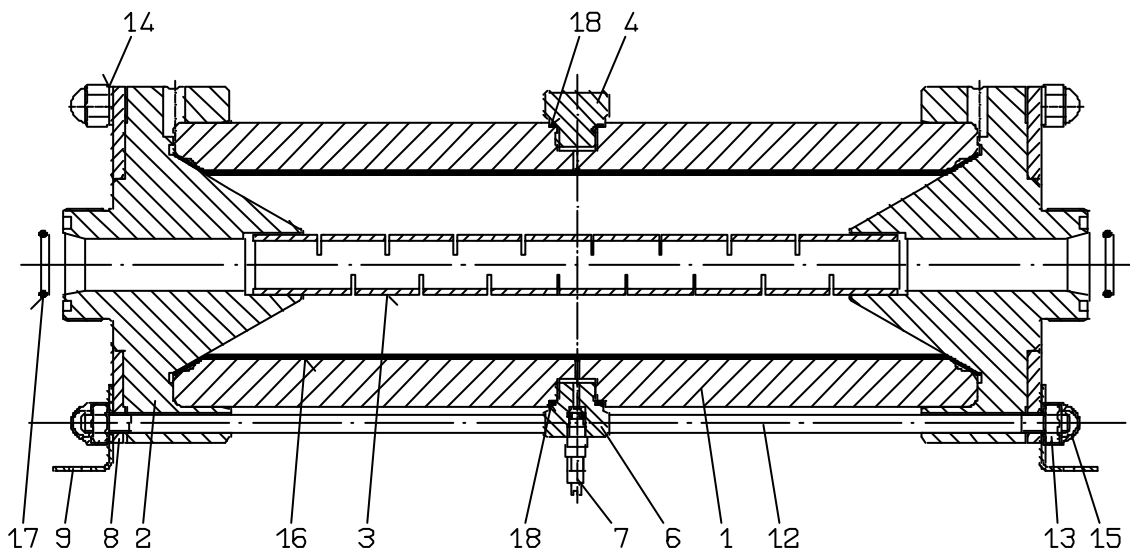
ET 1 27 01 / 2

Pulsation Damper PDS

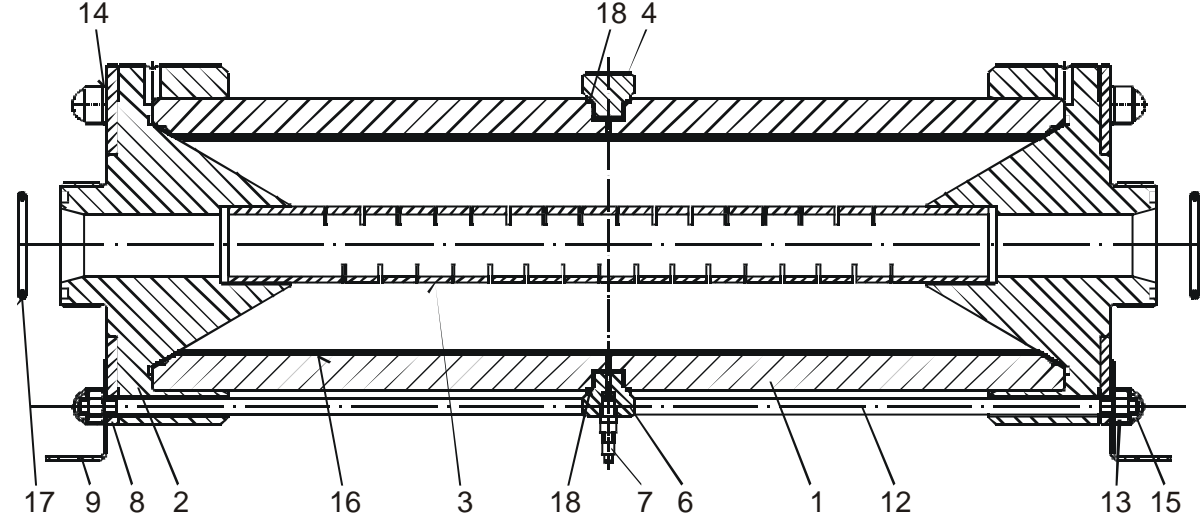
PDS 750



PDS 2500



PDS 7500



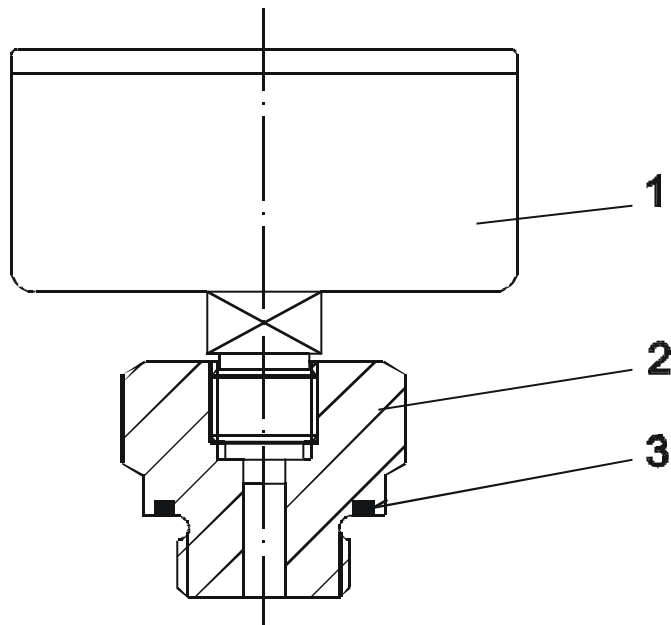
Item	Description	Material	Qty	PDS 80	PDS 250	PDS 750	PDS 2500	PDS 7500
1	Housing	PVC	1	32794	33274	33625	33626	33627
		PP	1	33290	32795	32796	32797	32867
2	Sealing cone	PVC	2	32798	33273	33628	33629	33630
		PP	2	33291	32799	32800	32801	32869
3	Support pipe	PVC	1	22917	22918	22916	22919	22920
		PP	1	33292	32803	32804	32805	32868
4	Threaded plug	PP	1	32806	32806	32806	32806	32806
5	Union nut	PVC	2	82218	13717	—	—	—
		PP	2	88139	88100	—	—	—
6	Pre-charge conn.	PP	1	—	32808	32808	32808	32808
7	Charging valve	Brass	1	22803	22803	22803	22803	22803
8	Flange	St. varn.	2	—	—	33922	32813	32885
9	Mounting bracket	SS 316	2	—	—	32809	32810	32884
10	Pipe holder	PVC	1	24395	—	—	—	—
		PVC	2	—	32619	—	—	—
11	Countersunk screw	SS	1	83750	—	—	—	—
		SS	2	—	83751	—	—	—
12	Pull rod	SS 316	4	—	—	32811	—	—
		SS 316	6	—	—	—	32812	32883
13	Hexagonal nut	SS	8	—	—	83130	—	—
		SS	12	—	—	—	83393	83128
14	Washer	SS	4	—	—	84131	—	—
		SS	8	—	—	—	84029	84136
15	Protective cap	PE	8	—	—	83507	—	—
		PE	12	—	—	—	83657	83508
16	Tube-type diaphragm	Hypalon	1	22111	22094	22077	22123	22155
		Viton	1	22719	22720	24042	29114	—
17	O-ring	EPDM	2	80117	80108	80108	80118	80119
		Viton	2	80008	80076	80076	80078	—
18	O-ring	EPDM	1	80737	—	—	—	—
		EPDM	2	—	80737	80737	80737	80737

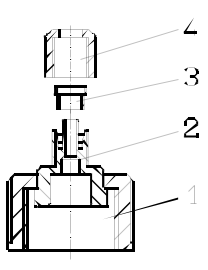
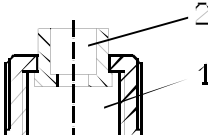
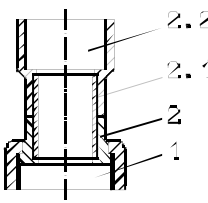
Pulsation Dampener PDS

ET 1 27 01 / 4

Pressure gauge

Item	Qty.	Description	Material	Pressure gauge w/out glycerine dampening Brass/St varnished		Pressure gauge with glycerine dampening SS 316	
				0...6 bar	0...16 bar	0...6 bar	0...16 bar
1	1	Pressure gauge		87384	87372	87383	87371
2	1	Gauge connection	PP	32807			
			PVC	35475			
3	1	O-ring	EPDM	80737			
Pressure gauge assembly with connection PP				32949	32951	32948	32950
Pressure gauge assembly with connection PVC				35476	35478	35480	35477



	Conn. Type	Material	Connection Size		Conn. Ass. No.	Item	Spare parts Description	Part No.				
			G	da								
	A	PVC/PP	PDS 80 G3/4	4/6	19480	1	Union Nut	82156				
						2	Tubing Connection	88012				
						3	Clamping Ring	88003				
						4	Union Nut	88004				
						PVC	6/8	28159	1	Union Nut	82156	
									2	Tubing Connection	31370	
		4	Union Nut	19397								
		6/12	19175	1	Union Nut				82156			
				2	Tubing Connection				18094			
				3	Clamping Ring				10178			
				4	Union Nut	82139						
				B	PVC	PDS 80 G 3/4	6/12	23342	1	Union Nut	82156	
2	Hose Liner								18042			
3	Hose Clamp	82398										
G 1 1/4	9/15	25921	1			Union Nut			82213			
			2			Hose Liner			25920			
			3			Hose Clamp			82398			
16/26	25936	1	Union Nut	82213								
		2	Hose Liner	25934								
		3	Hose Clamp	82413								
 	C ₁	PVC	PDS 80 G 3/4	10	25167	1	Union Nut	82156				
						2	Cemented Connection	82014				
						12	27518	1	Union Nut	82156		
								2	Cemented Connection	82013		
						16	25625	1	Union Nut	23685		
								2	Cemented Connection	22508		
			PDS 250/750 G 1 1/4					12	25923	1	Union Nut	82213
										2	Cemented Connection	25922
			16			27672	1	Union Nut	82213			
							2	Cemented Connection	27846			
			20			25937	1	Union Nut	82213			
							2	Cemented Connection	25931			
	C ₂	PVC	PDS 2500 G 2	32	32932	1	Union Nut	22259				
						2	Cemented Connection	22257				
						2.1	Reduction	13643				
						40	32933	1	Union Nut	22259		
								2	Cemented Connection	22257		
						50	32934	1	Union Nut	22259		
			2					Cemented Connection	22257			
			2.2					Reduction	88096			
			2.1					Piping	97047			
			PDS 7500 G 2 3/4			50	32935	1	Union Nut	22461		
								2	Cemented Connection	22462		
								2.1	Reduction	88043		
63	32936	1		Union Nut	22461							
		2		Cemented Connection	22462							
		D		PVC	PDS 80 G 3/4		G 1/4	25165	1	Union Nut	82156	
2	Threaded Connection		82185									
PDS 250/750 G 1 1/4	G 3/8		25930		1	Union Nut			82213			
					2	Threaded Connection			21900			
G 1/2	25943		1		Union Nut	82213						
			2		Threaded Connection	25940						
F	PVC/PE	PDS 250/750 G 1 1/4	DN 15	25956	1	Union Nut	82213					
					2	Flanged Connection	32178					
					3	Flange	14264					