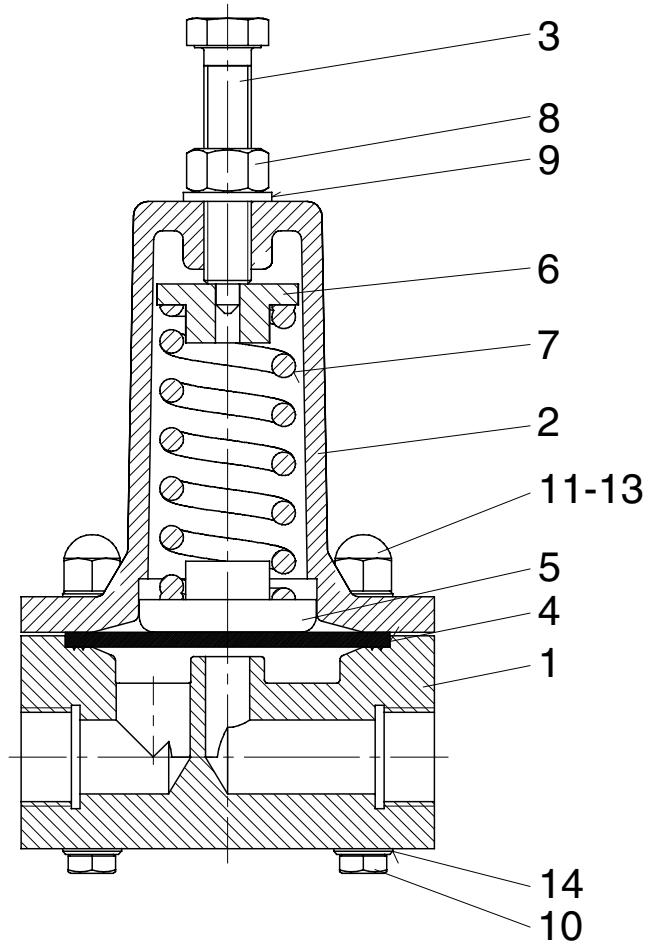


DN 6 - DN 15

Item	Description	Material	DN 6			DN 10			DN 15		
			PVC	PVDF	1.4571	PVC	PVDF	1.4571	PVC	PVDF	1.4571
1	Valve housing	PVC	28348	—	—	31995	—	—	28350	—	—
		PVDF	—	29510	—	—	29512	—	—	29514	—
		1.4571	—	—	26444	—	—	26469	—	—	26473
2	Washer	Brass	25942			—			29942		—
3	Valve Cap	PPh	25916	32463	25916	26093			25941		
4	Diaphragm	PTFE	81654			81655	81657	81655	81656		
5	Clamping Nut	PVC	27847	—	27847	27979	—	27979	27372	—	27372
		PVDF	—	29511	—	—	32459	—	—	32460	—
6	Spring	Steel	26448			—			26448		—
7	Washer	Steel	84150								
8	Hexagon Nut	SS	83129						83393	83129	
9	Hexagon Cap Screw	SS	83595								
10	Hexagon head Screw	Steel	83601		—	83699		—	83700		—
11	Base Plate	Plastic	26961		—	26457		—	26457		—
Complete Valve			12532000	12532001	12532002	12532003	12532004	12532005	12532006	12532007	12532008

Pressure Loading and Relief Valves



DN 25 - DN 65

Item	Description	Material	Quan.	DN25	DN32	DN40	DN50	DN65
1	Valve Housing	PP	1	21360	21361	21362	21363	21364
		PVC	1	99614	98262	98688	-	-
		PVDF	1	21360.V01	21361.V01	21362.V01	-	-
		1.4571	1	31757	-	-	-	-
2	Valve Cap		1	21325				
3	Adjusting Spindle		1	21326				
4	Diaphragm	PTFE	1	81662				
	Diaphragm **	PTFE	1	-	81672	81673	81674	-
	Diaphragm	FPM	1	81264				
5	Diaphragm Plate		1	21327				
6	Spring Plate		1	21328				
7	Spring		1	21329				
8	Hexagon Nut		1	83662				
9	Flat Washer		1	84166				
10	Hexagon Cap Screw		4	83654		83655		86656
11	Hexagon Nut *		4	83393				
12	Flat Washer		4	84029				
13	Schutzkappe		4	83657				
14	Flat Washer *		4	84029				

*) for plastic model only

**) für stainless steel model DN32-DN40