



ROTO PUMPS

PERFORMANCE CURVE

MODEL D 491

GRAPH NO. RS-374-02

STARTING TORQUE :- 3.2 Nm.

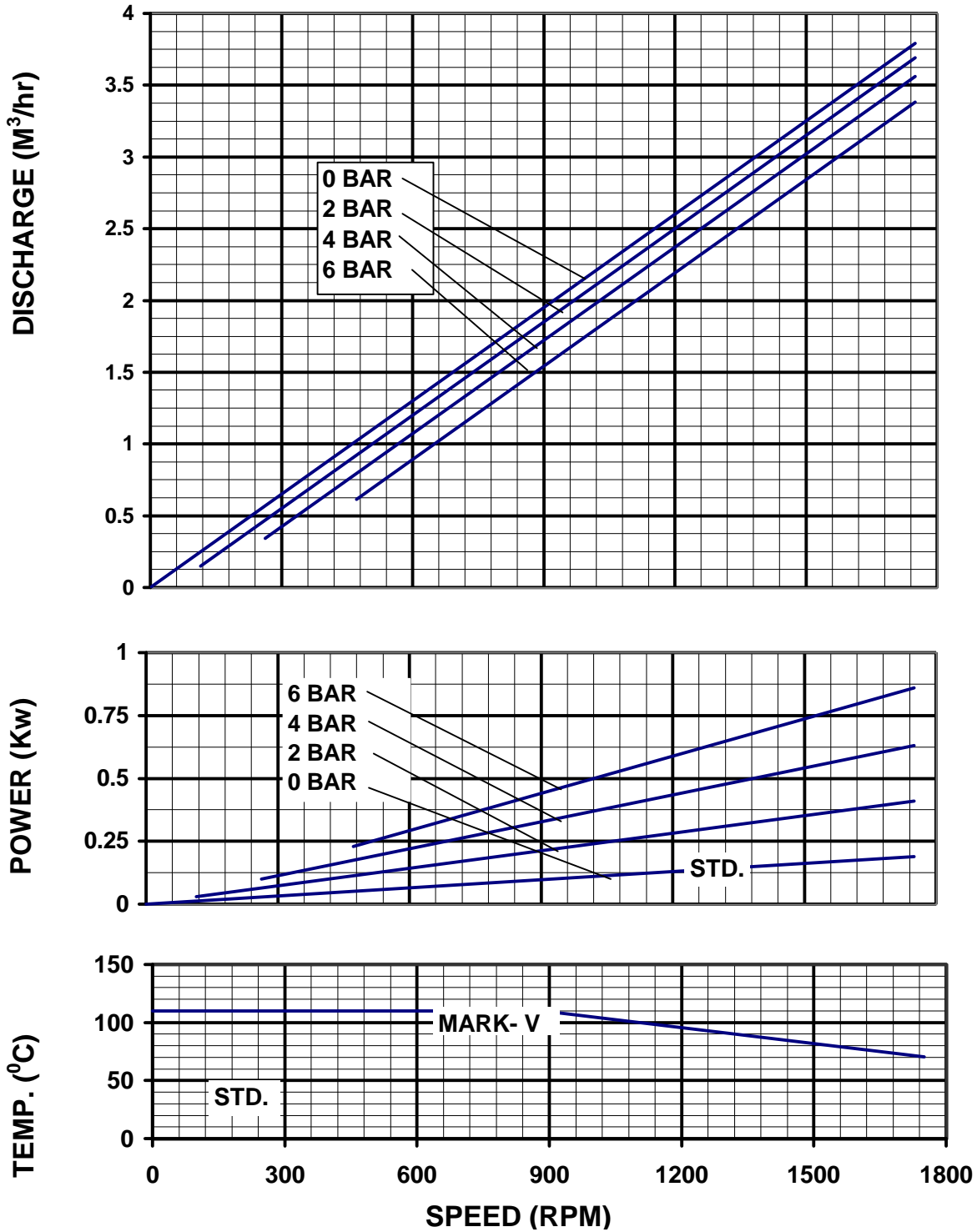
STATOR HARDNESS :- 70⁰ Shore A

Tested on Water at 30⁰c for RA & RR Stator

Solid Handling Capacity

Soft & Compressible 16 mm

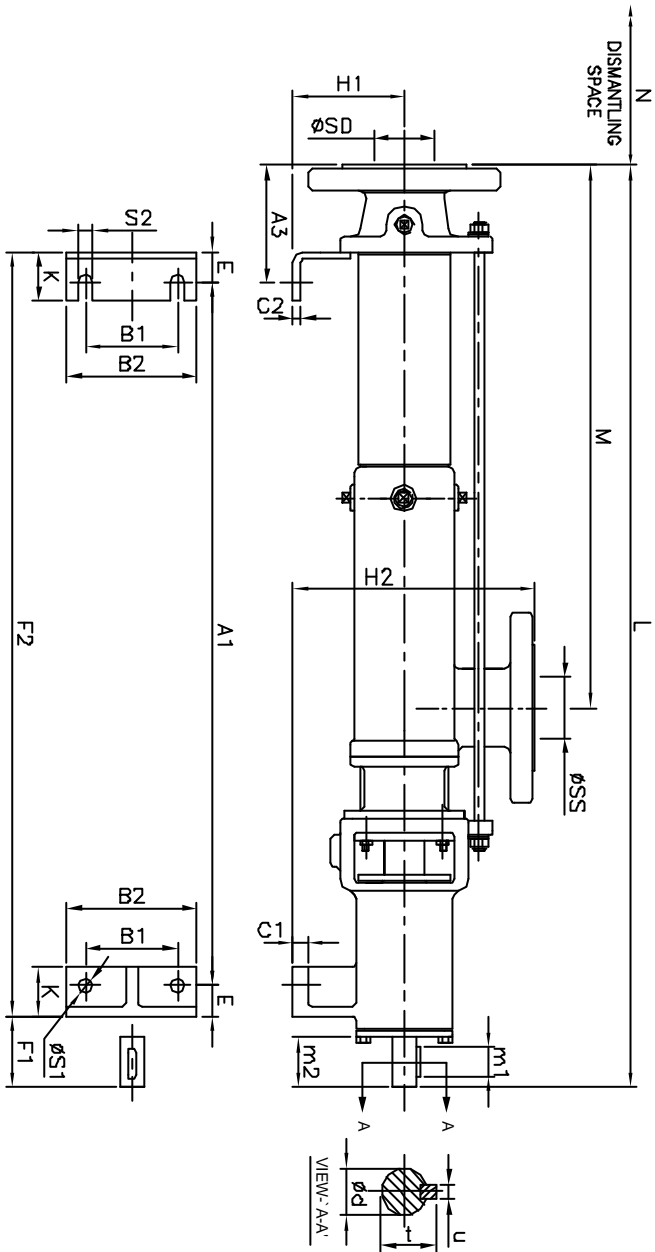
Hard & Angular 4 mm.





DIMENSIONAL DRAWING OF RDAA SERIES PUMPS

DRG. NO.
DD-32-002-02



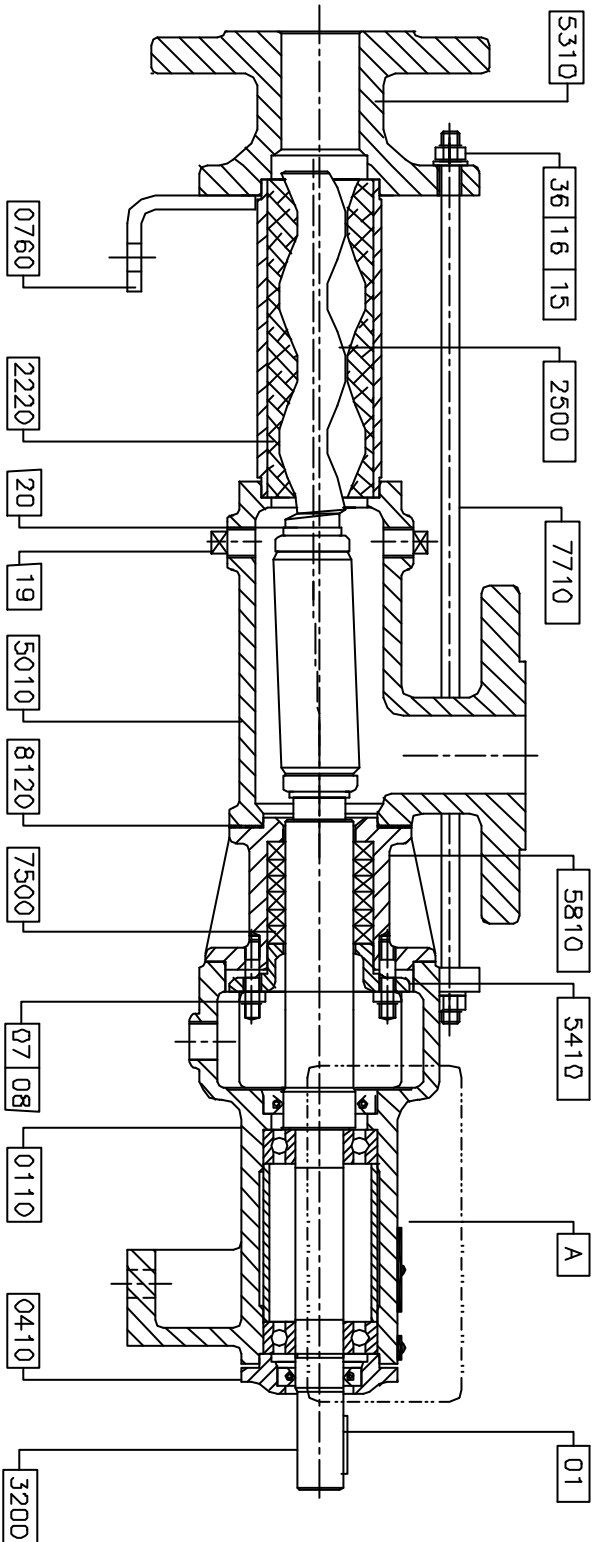
TYPE AND SIZE OF PUMP	BASIC DIMENSIONS														FLANGE DIMENSION			SHAFT EXTENSION				Approx. weight (Kg)				
	A1	B1	B2	C1	C2	E	F1	F2	H1	H2	K	L	M	N	ØS1	S2	ØSD	RATING (BAR)	ØSS	RATING (BAR)	Ød		m1	m2	t	u
RDAA-491	425	75	104	12	6	26	59	477	80	165	40	604	300	150	12	12	32	16	32	16	19	25	40	21.5	6	15.0

NOTE :-
FLANGE DIMENSIONS ARE AS PER BSR 4504.



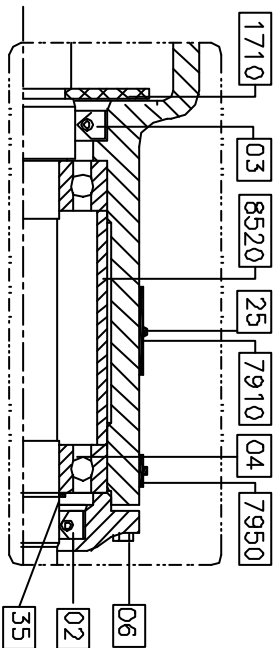
CROSS SECTIONAL DRAWING OF RDAA 491 PUMP

DRG. NO.
CS-32-013-01



* NOT SHOWN IN THE DRAWING

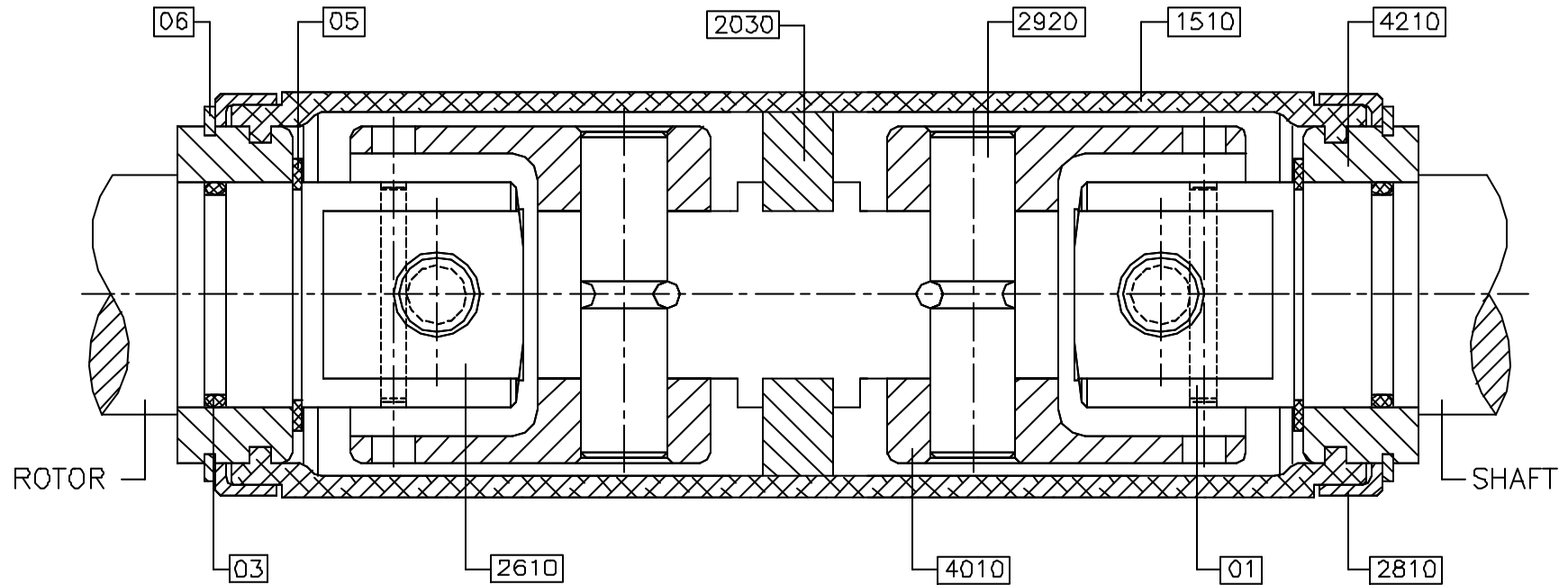
7950	NAME PLATE (ROTATIONAL)	01	36	PLAIN WASHER (FOR PART NO. 15)	1D
7910	NAME PLATE	01	35	CIRCLIP (EXTERNAL)	01
7710	TIE ROD	04	25	DRIVE SCREW (FOR PART NO. 7912&7950)	04
*7620	GLAND GUARD	02	20	UNIVERSAL JOINT	01
7500	GLAND PACKING	06	19	TAPER PLUG	03
5810	STUFFING BOX	01	16	SPRING WASHER (FOR PART NO. 15)	1D
5410	GLAND	01	15	HEX. NUT (FOR PART NO. 7710, 5310, 0110, 0760)	1D
5310	STRAIGHT THROUGH END COVER	01	08	HEX NUT (FOR PART NO. 07)	02
5010	PUMP HOUSING	01	07	STUD (FOR PART NO. 5410 & 5810)	02
3200	SHAFT	01	08	HEX. HD. SCREW (FOR PART NO. 0410)	04
2500	ROTOR	01	04	BALL BEARING	02
2220	BONDED STATOR	01	03	GREASE SEAL (FOR PART NO. 0110)	01
1710	WATER THROWER	01	02	GREASE SEAL (FOR PART NO. 0410)	01
0760	FOOT	01	01	PARALLEL KEY (FOR PART NO. 3200)	01
0410	BEARING COVER	01	08	BEARING SPACER (EXTERNAL)	01
0110	BEARING HOUSING	01	01	STUFFING BOX GASKET	01





CROSS SECTIONAL DRAWING OF RUJC-16

DRG NO.
CS-22-006-00



4210	U.J. RING	02			
4010	U.J. HEAD	02			
2920	U.J. PIN	04			
2810	BOOT SEAL RETAINER	02	06	EXTERNAL CIRCLIP	02
2610	COUPLING ROD	01	05	EXTERNAL CIRCLIP	02
2030	BOOT SEAL SUPPORT RING	01	03	'O' RING	02
1510	BOOT SEAL	01	01	SPRING PIN	04
SEQ. NO	DESCRIPTION	NO. OFF	SEQ NO	DESCRIPTION	NO. OFF



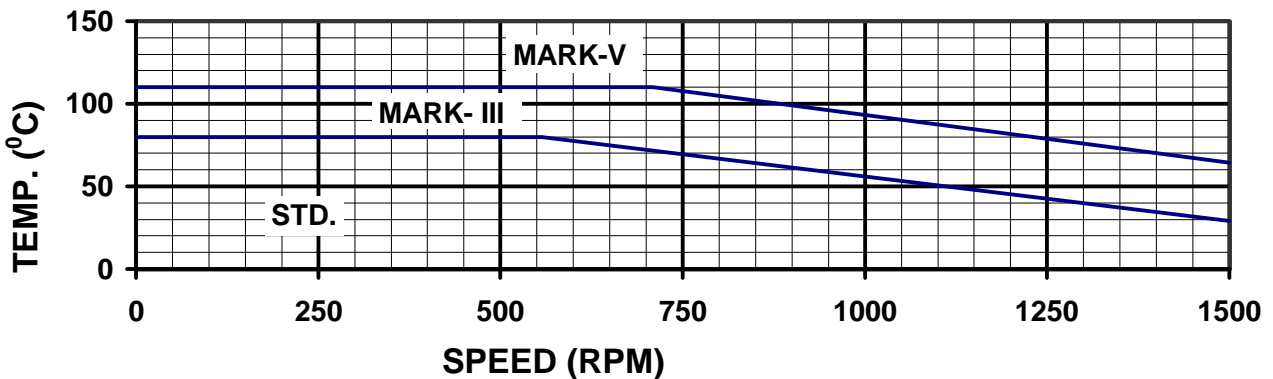
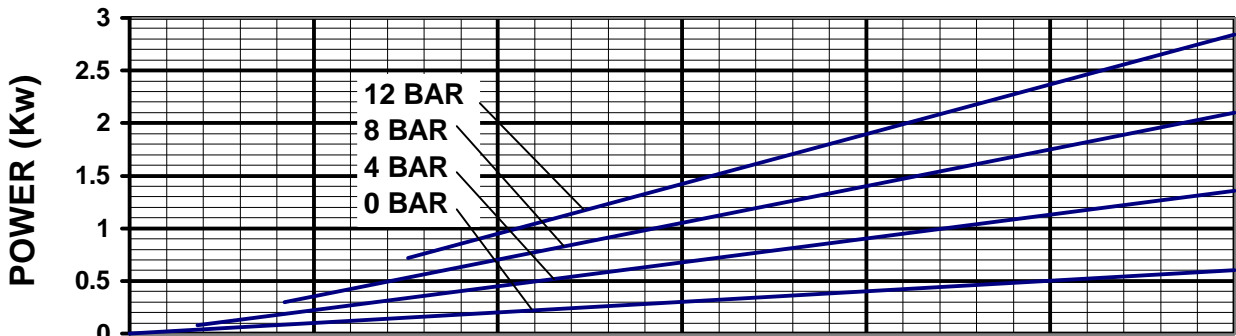
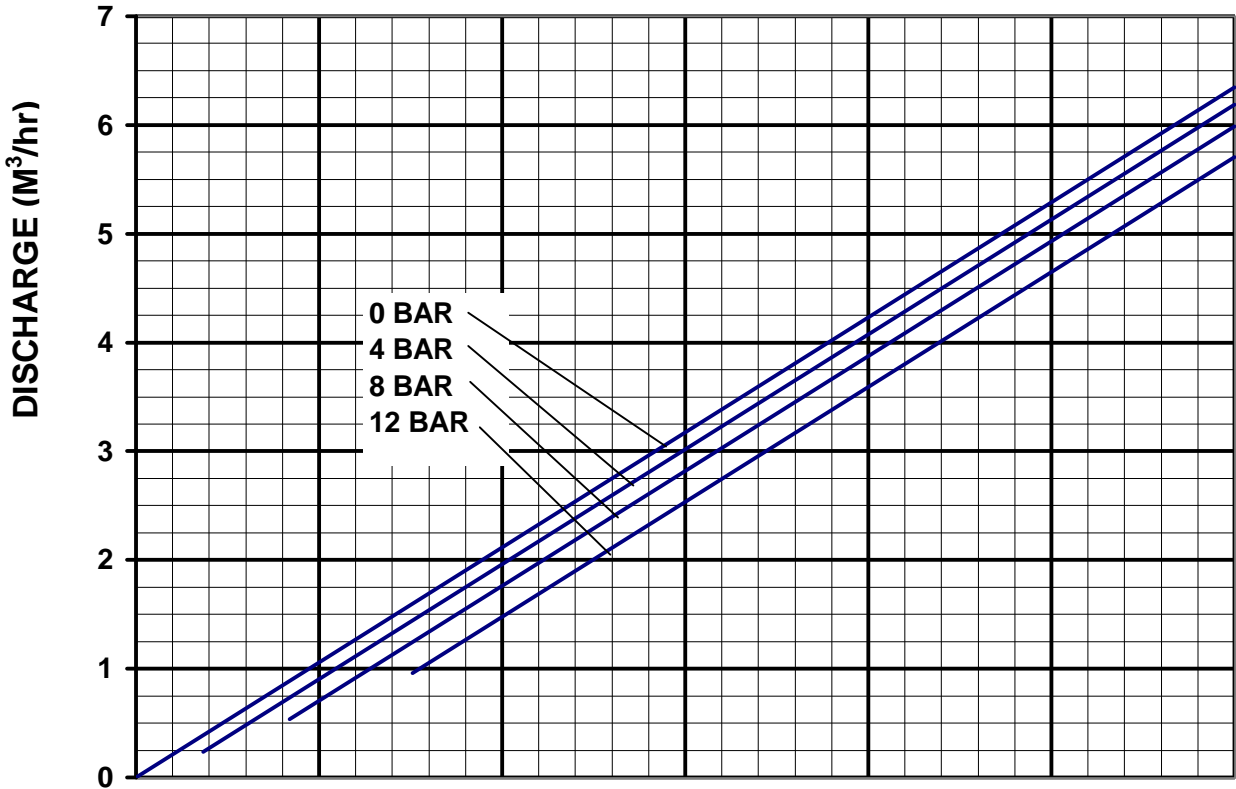
ROTO PUMPS

PERFORMANCE CURVE

STARTING TORQUE	12.7 Nm.
STATOR HARDNESS	70 ^o Shore A
Tested on Water at 30 ^o c for RA & RR Stator	

MODEL	D 512
GRAPH NO.	RS-380-01

Solid Handling Capacity Soft & Compressible 20 mm Hard & Angular 5 mm.

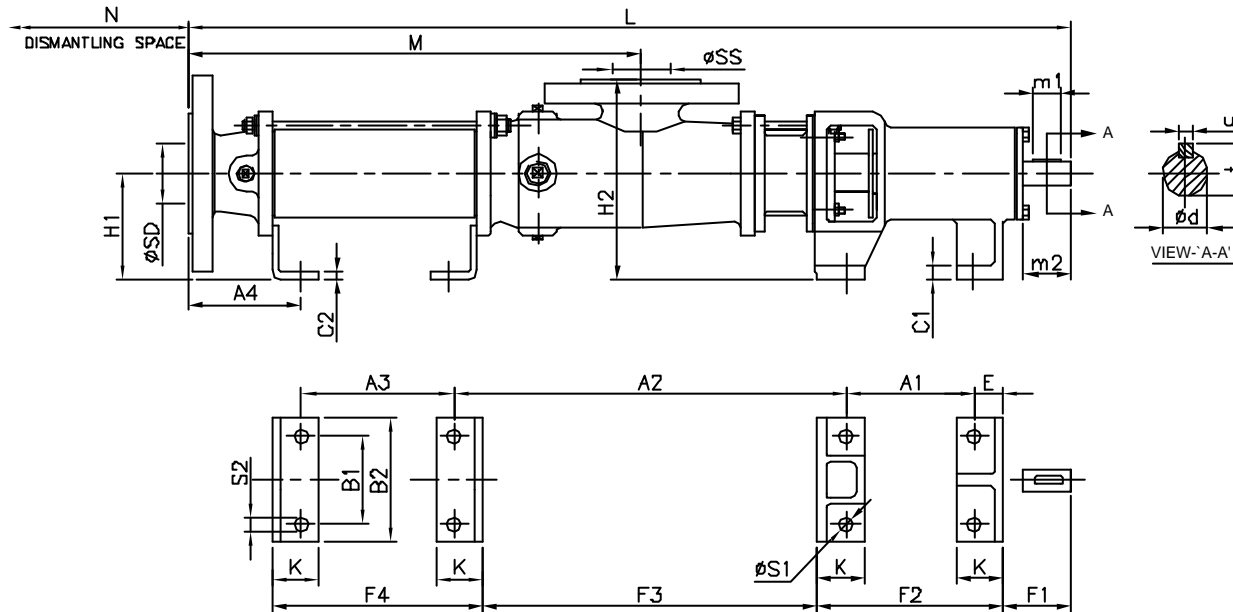


NOTE :- FOR FLUID TEMPERATURE BELOW 10^oC REFER TO ROTO



DIMENSIONAL DRAWING OF RDAA SERIES PUMPS

DRG. NO.
DD-32-002-02



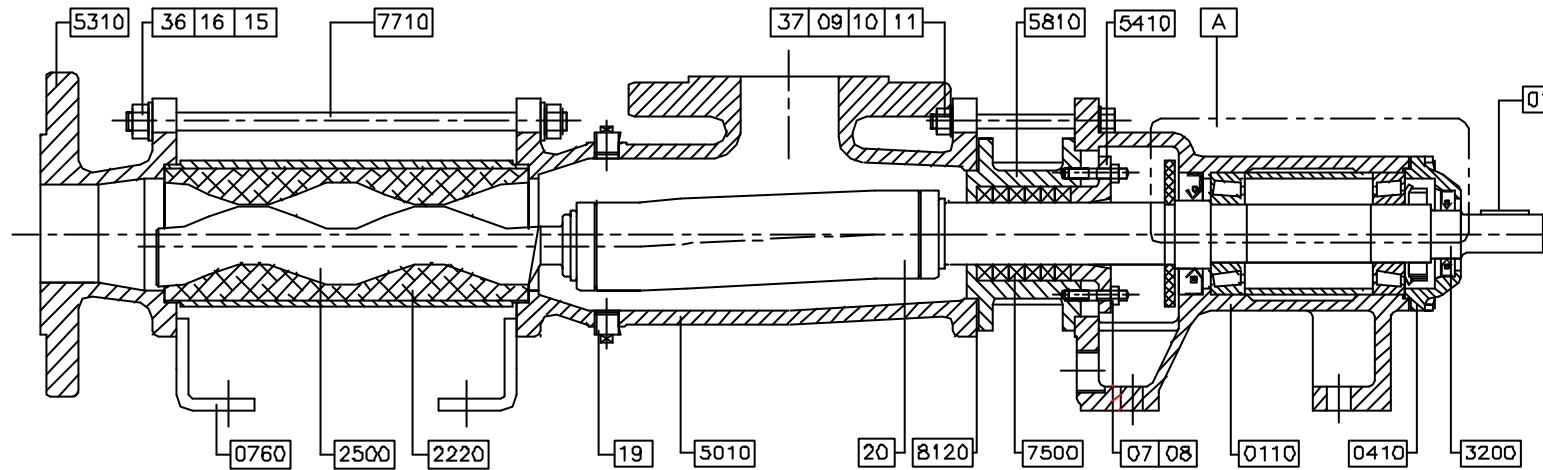
TYPE AND SIZE OF PUMP	BASIC DIMENSIONS																	FLANGE DIMENSION				SHAFT EXTENSION					wt.(Kg) approx.				
	A1	A2	A3	A4	B1	B2	C1	C2	E	F1	F2	F3	F4	H1	H2	K	L	M	N	ØS1	S2	ØSD	RATING (BAR)	ØSS	RATING (BAR)	Ød		m1	m2	t	u
RDAA-474	106	300	357	94	75	104	12	6	26	57	158	248	409	90	170	40	940	605	430			32		32	25	19	25	40	21,5		26.0
RDAA-494			491										551				1171	767	570	12	12		15							6	38.0
RDAA-512	110	358	259	100	85	115	12	6	30	82	170	298	319	112	202	44	939	535	350			50		50	16	22	40	52	24.5		37.0
RDAA-532			349										409				1029	625	440												38.0

NOTE :-
FLANGE DIMENSIONS ARE AS PER BS: 4504,



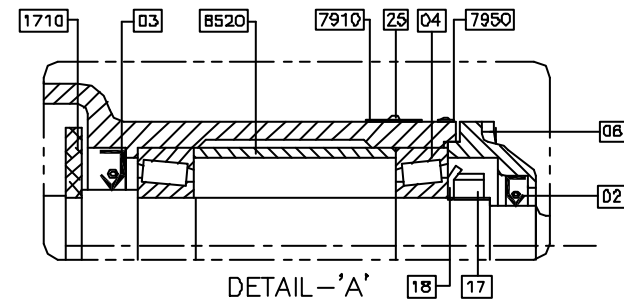
CROSS SECTIONAL DRAWING OF RDA 512/532 PUMP

DRG. NO.
CS-32-011-01



* NOT SHOWN IN THE DRAWING

			37	PUNCHED WASHER (FOR PART NO. 10)	04
8520	BEARING SPACER (EXTERNAL)	01	36	PUNCHED WASHER (FOR PART NO. 15)	12
8120	STUFFING BOX GASKET	01	25	DRIVE SCREW (FOR PART NO. 7910&7950)	04
7950	NAME PLATE (ROTATIONAL)	01	20	UNIVERSAL JOINT	01
7910	NAME PLATE	01	19	TAPER PLUG	03
7710	TIE ROD	04	18	LOCKING WASHER	01
*7620	GLAND GUARD	02	17	BEARING LOCK NUT	01
7500	GLAND PACKING	06	16	SPRING WASHER (FOR PART NO. 15)	12
5810	STUFFING BOX	01	15	HEX. NUT (FOR PART NO. 7710,5310&0760,5010)	12
5410	GLAND	01	11	SPRING WASHER (FOR PART NO. 10)	04
5310	STRAIGHT THROUGH END COVER	01	10	HEX. NUT (FOR PART NO. 09)	04
5010	PUMP HOUSING	01	09	HEX HD. BOLT (FOR PART NO. D110 & 5010)	04
3200	SHAFT	01	08	HEX NUT (FOR PART NO. 07)	02
2500	ROTOR	01	07	STUD (FOR PART NO. 5410 & 5810)	02
2220	BONDED STATOR	01	06	HEX HD. SCREW (FOR PART NO. 0410)	04
1710	WATER THROWER	01	04	TAPER ROLLER BEARING	02
0760	FOOT	02	03	GREASE SEAL (FOR PART NO. 0110)	01
0410	BEARING COVER	01	02	GREASE SEAL (FOR PART NO. 0410)	01
0110	BEARING HOUSING	01	01	PARALLEL KEY (FOR PART NO. 3200)	01
SEQ. NO.	DESCRIPTION	NO. OFF.	SEQ. NO.	DESCRIPTION	NO. OFF.



R070-511\NEW TECH BINDER\RDA CS\CS-32-011.DWG