

ROTO PUMPS CHARACTERISTIC CURVE

Model— L571

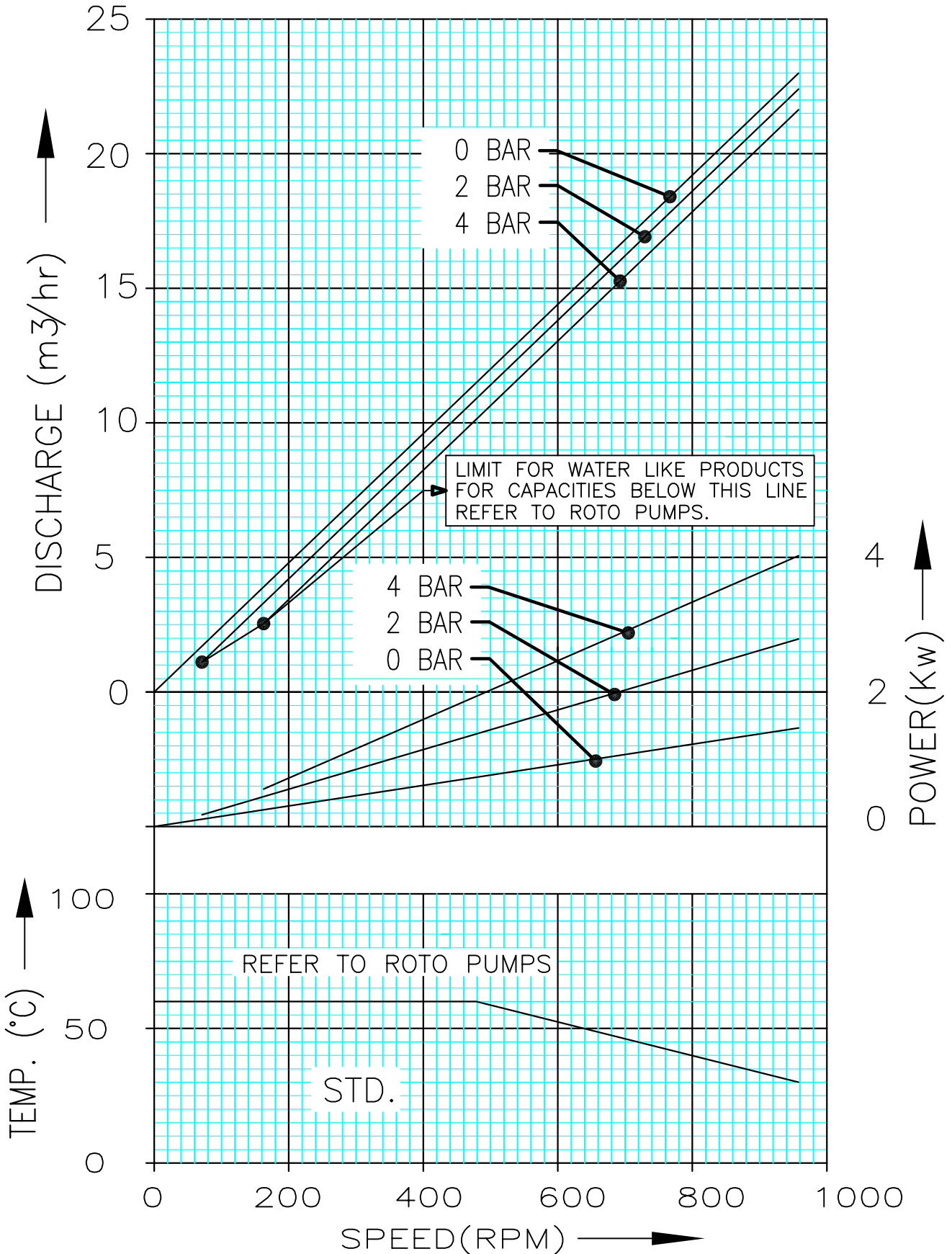
Graph No.—RS—403—00

STARTING TORQUE : 45 Nm

STATOR HARDNESS (RR) : 70°Shore

TESTED WITH WATER AT : 30°C

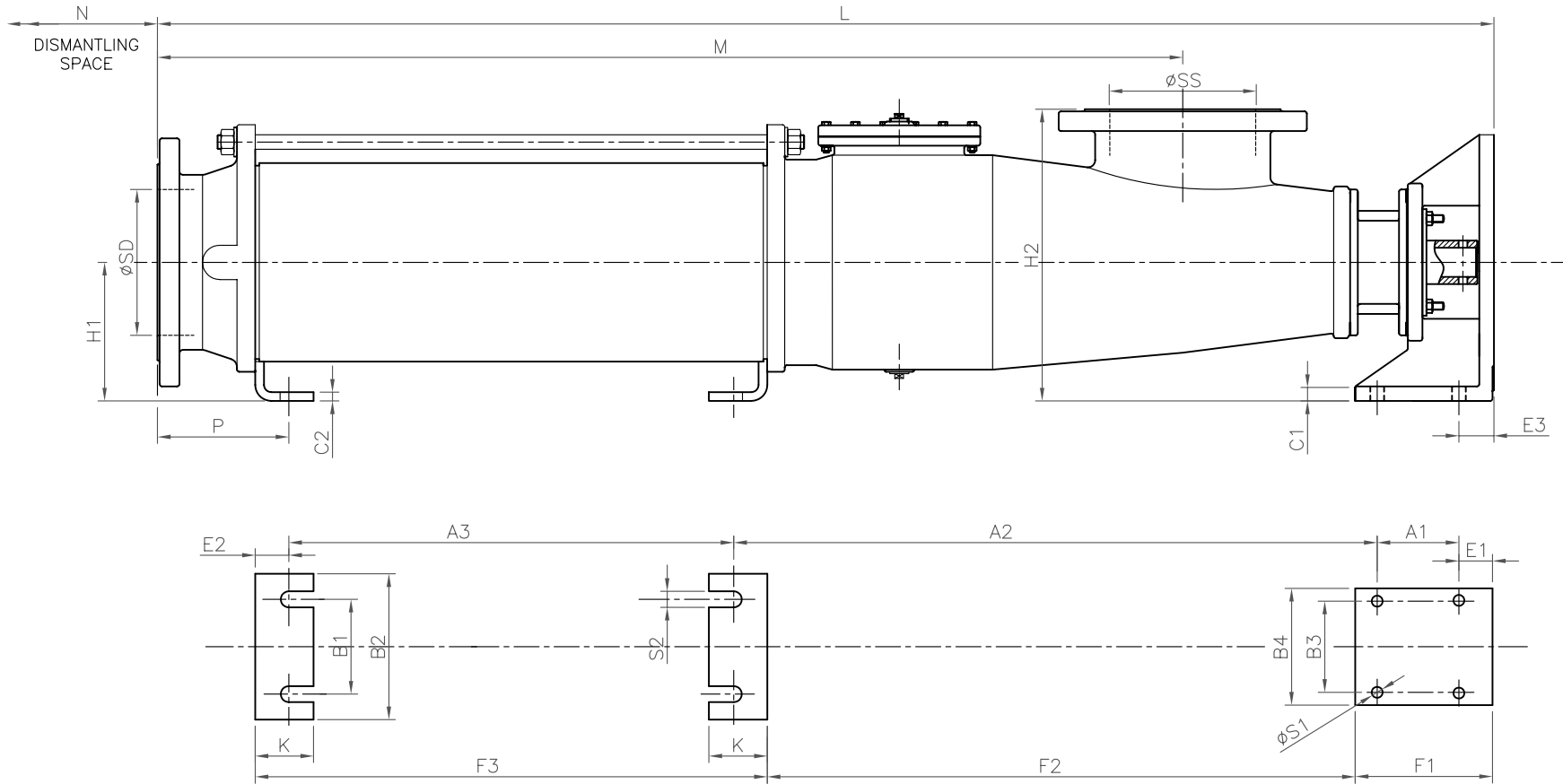
Solid handling capacity
soft and compressible 28mm
hard & angular 7mm





DIMENSIONAL DRAWING OF RLCA/RLGA SERIES PUMPS

DRG. NO.
DD-51-001-01



TYPE AND SIZE OF PUMP	BASIC DIMENSIONS																				FLANGE DIMENSIONS							
	A1	A2	A3	B1	B2	B3	B4	C1	C2	E1	E2	E3	F1	F2	F3	H1	H2	K	L	M	N	P	φS1	S2	φSS	RATING (BAR)	φSD	RATING (BAR)
RLCA \ RLGA-541	34	290	264	75	104	75	104	12	6	38	26	40	87	249	316	90	170	40	724	510	350	96	12	12	50	16	50	16
RLCA \ RLGA-571	65	336	362	85	115	85	115			29	30	31	109	291	422	112	212		897	649	450	103			65			
RLCA \ RLGA-611	75	595	662	83	120	125	160	8	30	28	32	127	545	718	130	272	44	1477	1202	750	113	15	15	100	16	100	16	
RLCA \ RLGA-631			715																	771								
RLCA \ RLGA-671	80	803	827	100	150	130	200	16	10	33	36	35	148	732	899	150	330	63	1880	1521	950	135	19	19	125		125	
RLCA \ RLGA-711	112	1038	1108	130	200	175	245	20	12	46	46	48	188	962	1200	190	400	80	2486	2059	1250	180	23	23	200		200	

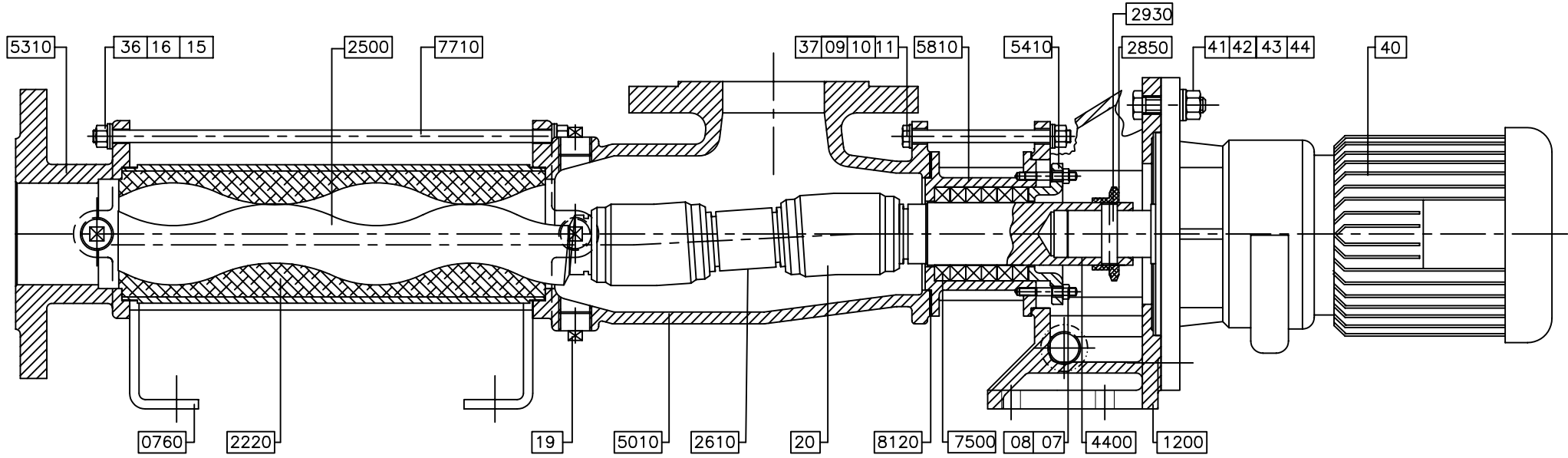
NOTE:-FLANGE DIMENSIONS ARE AS PER BS: 4504.

01	D-037-06	SIZES ADDED & DRG NO MODIFIED.			NOTE:-FLANGE DIMENSIONS ARE AS PER BS: 4504.					
00	G-297-02	NEW RELEASE	SKS	11/11/02	DATE	DRAWN	CHECKED	APPROVED	SHEET NO.	NO. OF SHEETS
ALT. NO.	ALT. NOTE NO.	ALTERATION	SIGN	DATE	09/11/02	TN	AS	SKS	01	01



CROSS SECTIONAL DRAWING OF RLCA- 541/571 PUMP

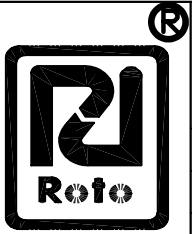
DRG. NO.
CS-51-001-00



* NOT SHOWN IN THE DRAWING

8120	STUFFING BOX GASKET	01			
*7950	NAME PLATE (ROTATIONAL)	01	44	PUNCHED WASHER (For Part NO.-41)	04
*7910	NAME PLATE	01	43	SPRING WASHER (For Part No.-41)	04
7710	TIE ROD	04	42	HEX. NUT (For Part No.-41)	04
*7620	GLAND GUARD	02	41	STUD/ HEX. Hd. BOLT (For Part No.-1200 & 40)	04
7500	GLAND PACKING	06	40	GEARED MOTOR	01
5810	STUFFING BOX	01	37	PUNCHED WASHER (FOR PART NO. 10)	04
5410	GLAND	01	36	PUNCHED WASHER (FOR PART NO. 15)	12
5310	STRAIGHT THROUGH END COVER	01	*25	DRIVE SCREW (FOR PART NO. 7910&7950)	06
5010	PUMP HOUSING	01	20	UNIVERSAL JOINT	02
4400	STUB SHAFT	01	19	TAPER PLUG	03
2930	DOWEL PIN	01	16	SPRING WASHER (FOR PART NO. 15)	12
2850	PIN RETAINER	01	15	HEX. NUT (FOR PART NO. 7710,5310,5010&0760)	12
2610	COUPLING ROD	01	11	SPRING WASHER (FOR PART NO.-10)	04
2500	ROTOR	01	10	HEX NUT (FOR PART NO. 09)	04
2220	BONDED STATOR	01	09	HEX. HEAD BOLT (FOR PART NO. 5010 & 1200)	04
1200	PUMP LANTERN	01	08	HEX NUT (FOR PART NO. 07)	02
0760	FOOT	02	07	STUD (FOR PART NO. 5410 & 5810)	02
SEQ. NO.	DESCRIPTION	NO. OFF	SEQ. NO.	DESCRIPTION	NO. OFF

00	G-063-06	NEW RELEASE				
ALT NO.	ALT NOTE NO	ALTERATION			SIGN	DATE
DATE	DRAWN	CHECKED	APPROVED	SHEET NO.	NO OF SHEETS	
				1	1	



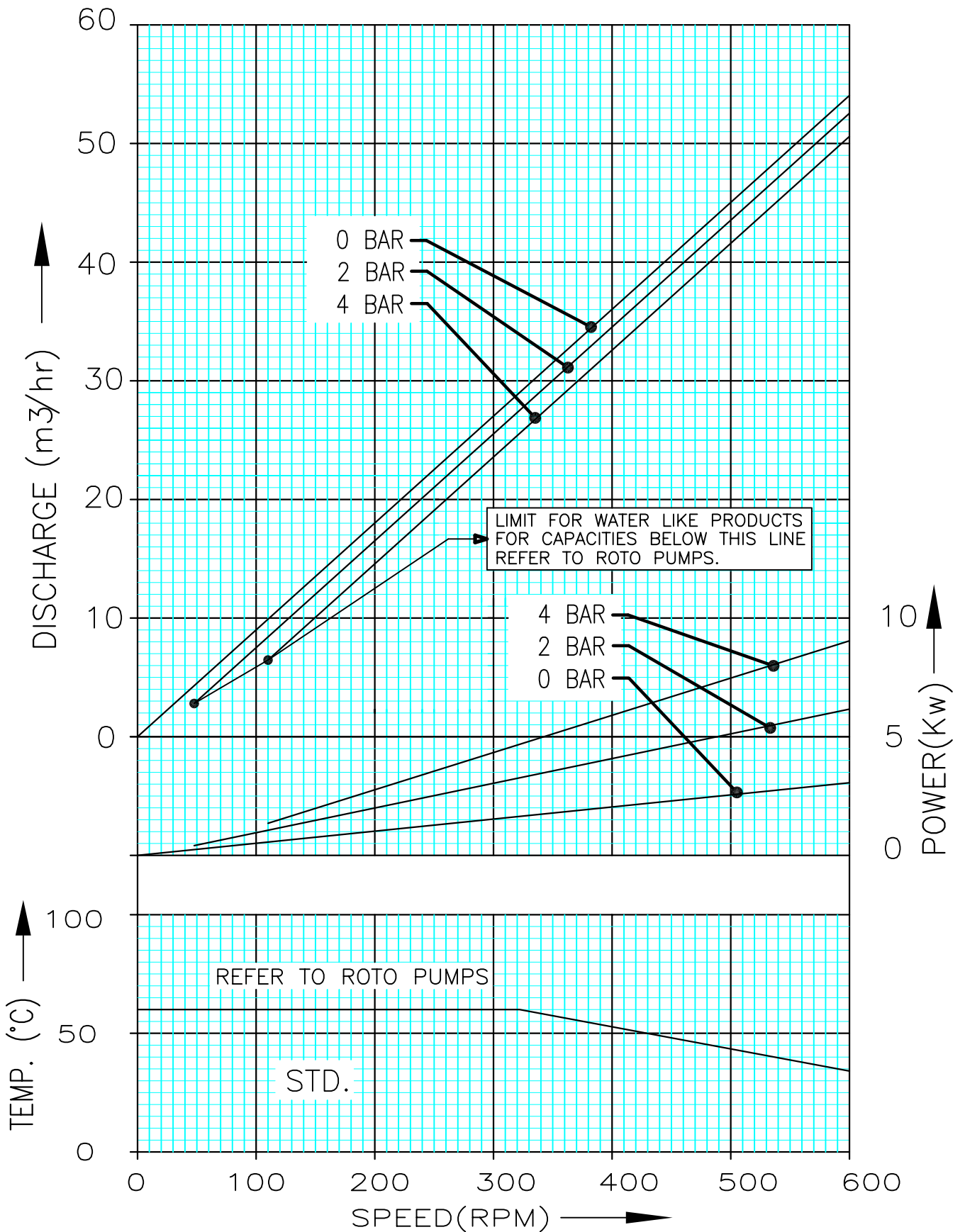
ROTO PUMPS CHARACTERISTIC CURVE

STARTING TORQUE	: 134 Nm
STATOR HARDNESS (RR)	: 70°Shore
TESTED WITH WATER AT	: 30°C

Model— L611

Graph No.—RS—404—00

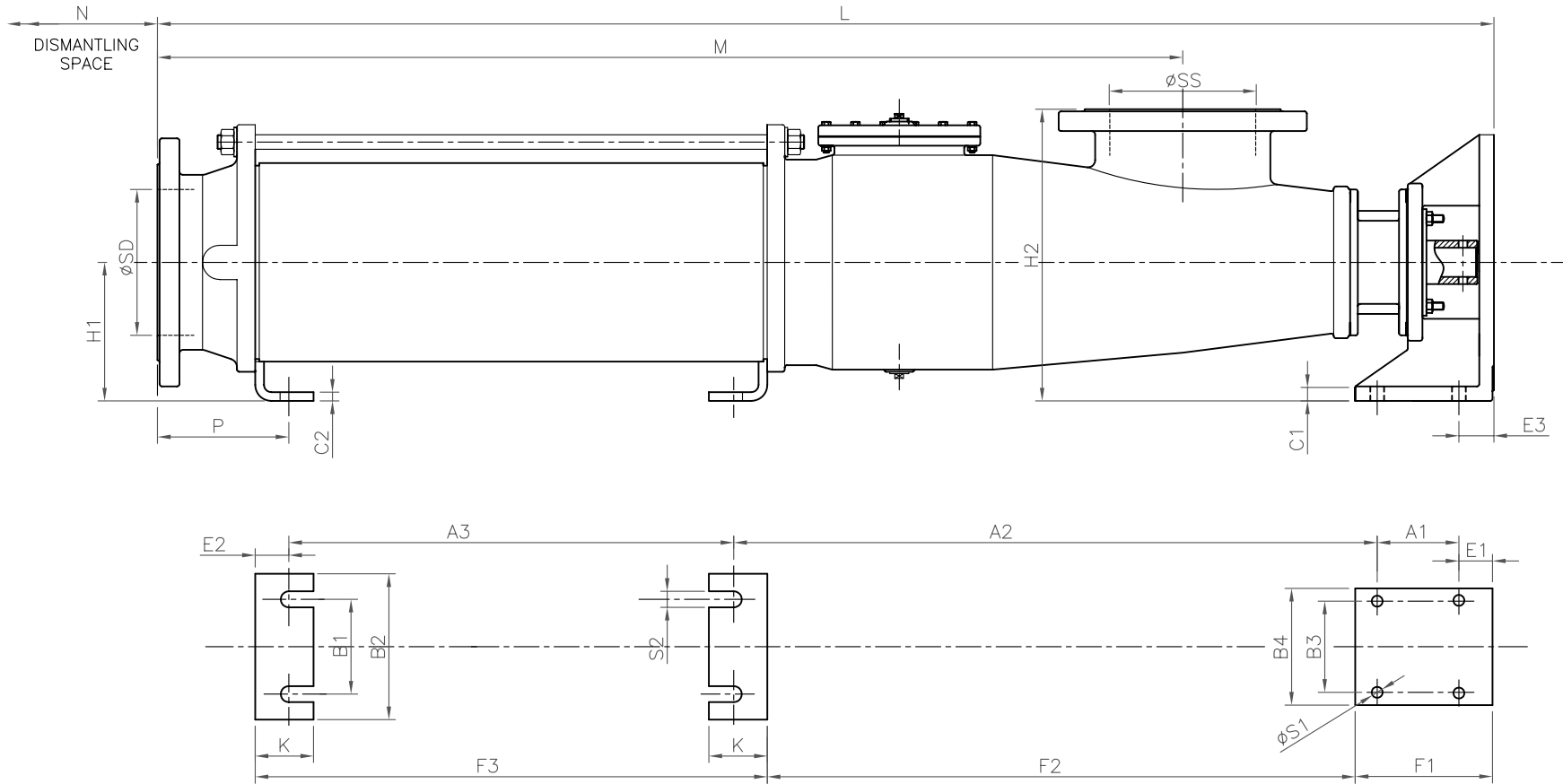
Solid handling capacity
soft and compressible 44mm
hard & angular 11mm





DIMENSIONAL DRAWING OF RLCA/RLGA SERIES PUMPS

DRG. NO.
DD-51-001-01



TYPE AND SIZE OF PUMP	BASIC DIMENSIONS																				FLANGE DIMENSIONS							
	A1	A2	A3	B1	B2	B3	B4	C1	C2	E1	E2	E3	F1	F2	F3	H1	H2	K	L	M	N	P	φS1	S2	φSS	RATING (BAR)	φSD	RATING (BAR)
RLCA \ RLGA-541	34	290	264	75	104	75	104	12	6	38	26	40	87	249	316	90	170	40	724	510	350	96	12	12	50	16	50	16
RLCA \ RLGA-571	65	336	362	85	115	85	115			29	30	31	109	291	422	112	212		897	649	450	103			65			
RLCA \ RLGA-611	75	595	662	83	120	125	160	8	30	28	32	127	545	718	130	272	44	1477	1202	750	113	15	15	100	125			
RLCA \ RLGA-631			715											1530				1255	850									
RLCA \ RLGA-671	80	803	827	100	150	130	200	16	10	33	36	35	148	732	899	150	330	63	1880	1521	950	135	19	19	125			
RLCA \ RLGA-711	112	1038	1108	130	200	175	245	20	12	46	46	48	188	962	1200	190	400	80	2486	2059	1250	180	23	23	200	200		

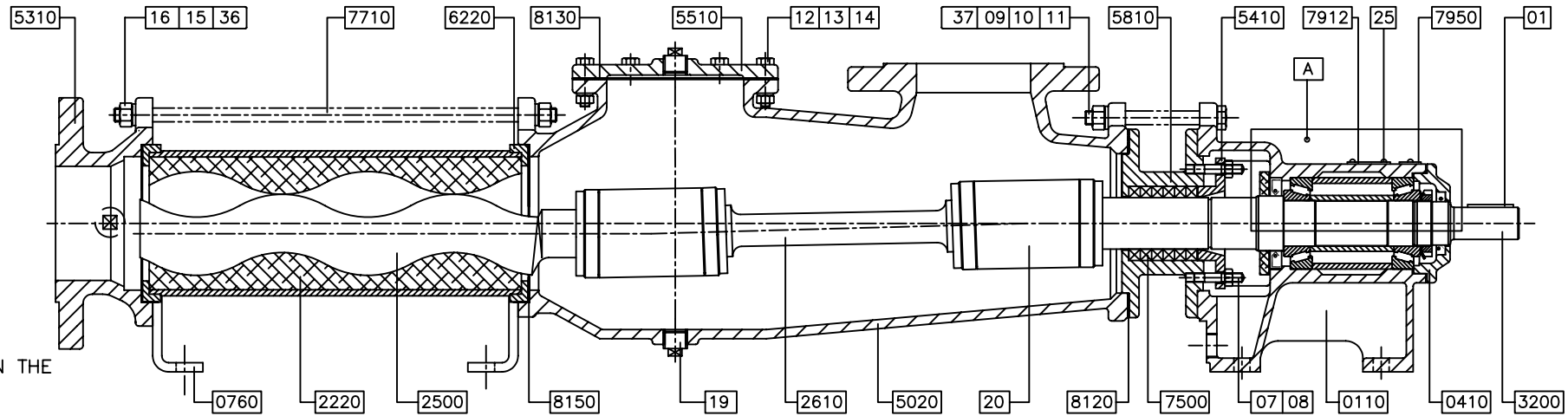
NOTE:-FLANGE DIMENSIONS ARE AS PER BS: 4504.

01	D-037-06	SIZES ADDED & DRG NO MODIFIED.			NOTE:-FLANGE DIMENSIONS ARE AS PER BS: 4504.					
00	G-297-02	NEW RELEASE	SKS	11/11/02	DATE	DRAWN	CHECKED	APPROVED	SHEET NO.	NO. OF SHEETS
ALT. NO.	ALT. NOTE NO.	ALTERATION	SIGN	DATE	09/11/02	TN	AS	SKS	01	01



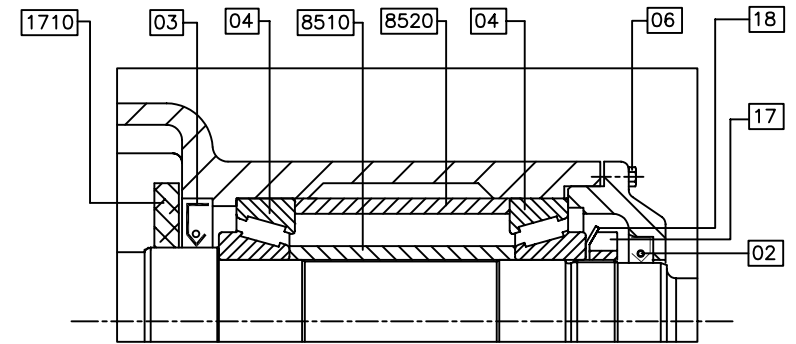
CROSS SECTIONAL DRAWING OF RMAA-581 & RLAA-611 PUMPS

DRG. NO.
CS-09-020-01



* NOT SHOWN IN THE DRAWING

8520	BEARING SPACER (EXTERNAL)	01		
8510	BEARING SPACER (INNER)	01		
8150	STATOR SUPPORT RING GASKET	02	37	PUNCHED WASHER (FOR PART NO. 10)
8130	INSPECTION WINDOW GASKET	01	36	PUNCHED WASHER (FOR PART NO. 15)
8120	STUFFING BOX GASKET	01	25	DRIVE SCREW (FOR PART NO. 7912 & 7950)
7950	NAME PLATE (ROTATIONAL)	01	20	UNIVERSAL JOINT
7912	NAME PLATE	01	19	TAPER PLUG
7710	TIE ROD	04	18	LOCKING WASHER
*7620	GLAND GUARD	02	17	BEARING LOCK NUT
7500	GLAND PACKING	06	16	SPRING WASHER (FOR PART NO. 15)
6220	STATOR SUPPORT RING	02	15	HEX. NUT (FOR PART NO. 7710&0760)
5810	STUFFING BOX	01	14	PUNCHED WASHER (FOR PART NO. 13)
5510	INSPECTION WINDOW	01	13	HEX. NUT (FOR PART NO. 12)
5410	GLAND	01	12	HEX HD. BOLT (FOR PART NO. 5510 & 5020)
5310	STRAIGHT THROUGH END COVER	01	11	SPRING WASHER (FOR PART NO. 10)
5020	PUMP HOUSING WITH INSPECTION WINDOW	01	10	HEX. NUT (FOR PART NO. 09)
3200	SHAFT	01	09	HEX. HD. BOLT (FOR PART NO. 0110 & 5020)
2610	COUPLING ROD	01	08	HEX NUT (FOR PART NO. 07)
2500	ROTOR	01	07	STUD (FOR PART NO. 5410 & 5810)
2220	BONDED STATOR	01	06	HEX HD. SCREW (FOR PART NO. 0410)
1710	WATER THROWER	01	04	TAPER ROLLER BEARING
0760	FOOT	02	03	GREASE SEAL (FOR PART NO. 0110)
0410	BEARING COVER	01	02	GREASE SEAL (FOR PART NO. 0410)
0110	BEARING HOUSING	01	01	PARALLEL KEY (FOR PART NO. 3200)
PART NO.	NOMENCLATURE	NO. OFF	PART NO.	NOMENCLATURE



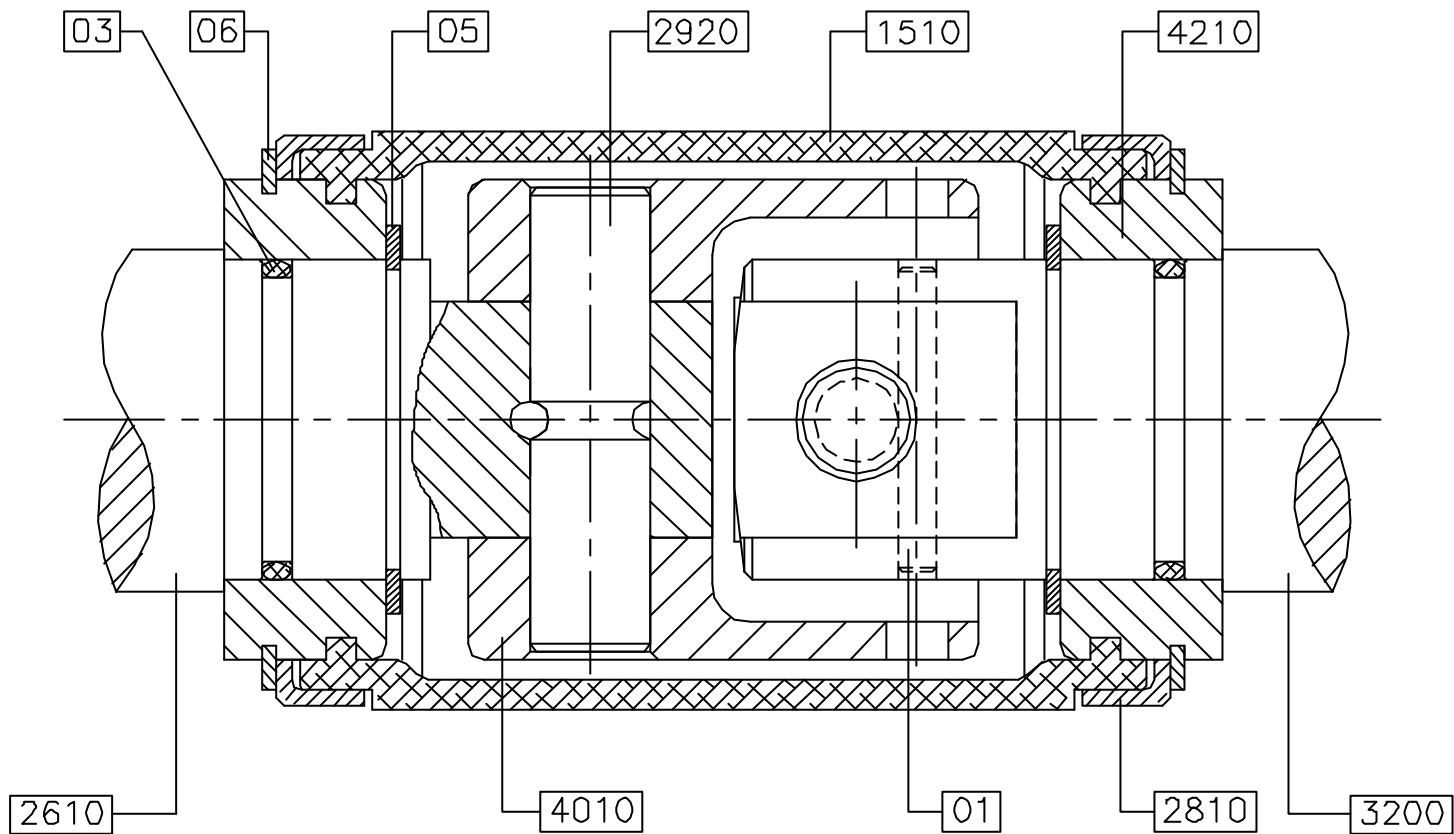
DETAIL 'A'

01	D-192-01	TAPER PLUG QTY. 03 WAS 02 ADDED PART No. 36 & 37		
00	D-041-2000	MODIFIED FROM CS-09-009-2000		SKS
ALT NO.	ALT NOTE NO.	ALTERATION		SIGN/DATE
DATE	DRAWN	CHECKED	APPROVED	SHEET NO.
26/02/2001				01
				NO OF SHEETS
				01



CROSS SECTIONAL DRAWING UNIVERSAL JOINT FOR SIZE RUJA-016

DRG. NO.
CS-22-002-02



4210	U.J. RING	02			
4010	U.J. HEAD	01			
3200	SHAFT	01			
2920	U.J. PIN	02	06	EXTERNAL CIRCLIP	02
2810	BOOT SEAL RETAINER	02	05	EXTERNAL CIRCLIP	02
2610	COUPLING ROD	01	03	'O' RING	02
1510	BOOT SEAL	01	01	SPRING PIN	02
SEQ. NO.	DESCRIPTION	NO. OFF	SEQ. NO.	DESCRIPTION	NO. OFF



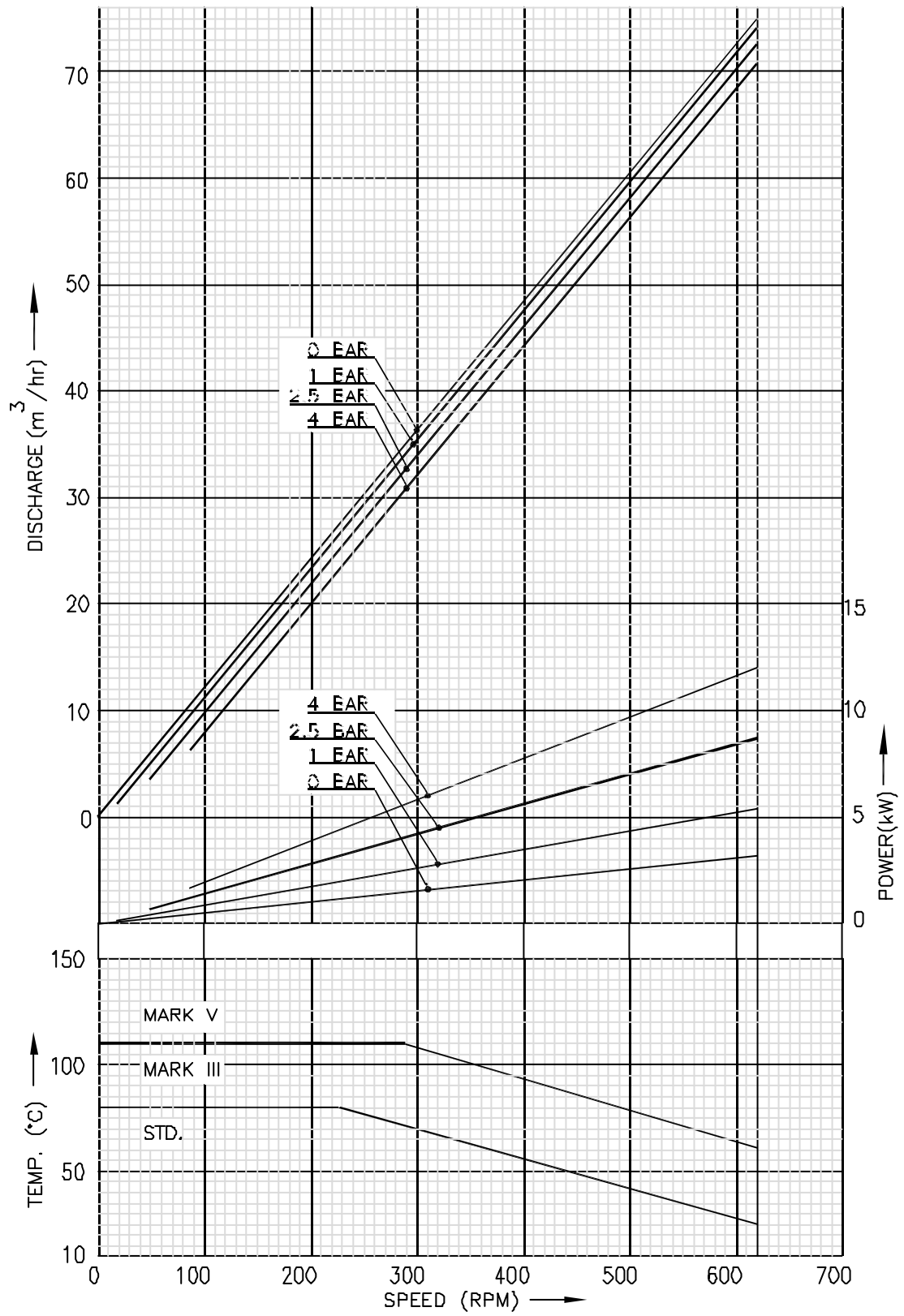
ROTO PUMPS PERFORMANCE CURVE

Model-L 631

Graph No. RS-385-00

STARTING TORQUE : 180.8 Nm
 STATOR HARDNESS : 70° Shore A
 Tested on water at 30°C for RA & RR stator

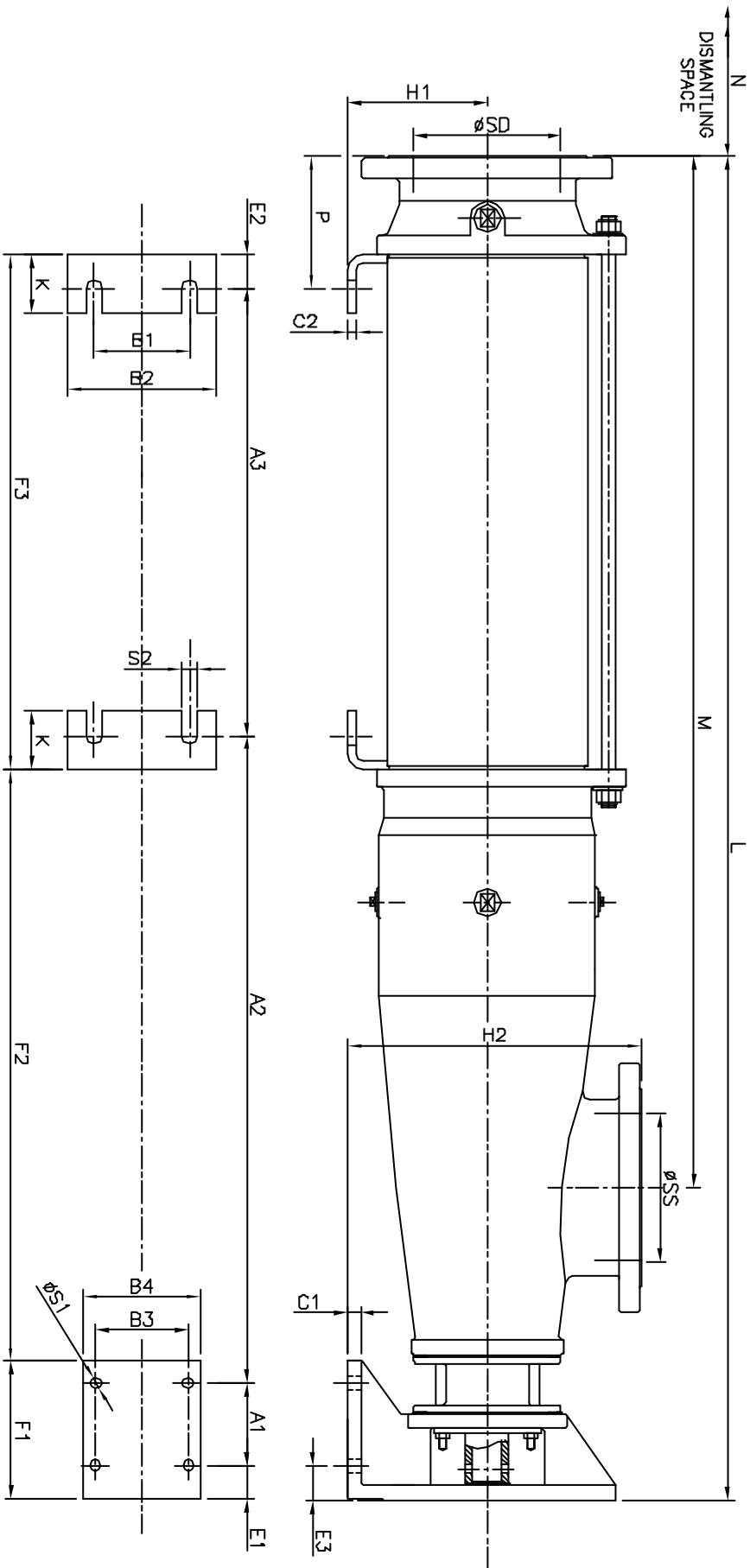
Solid handling capacity
 Soft & Compressible 48 mm
 Hard & Angular 12 mm





DIMENSIONAL DRAWING OF RLCB/RLGB SERIES PUMPS

DRG. NO.
DD-36-001-00



TYPE AND SIZE OF PUMP

TYPE AND SIZE OF PUMP		BASIC DIMENSIONS																FLANGE DIMENSIONS.				Weight (kg)								
		A1	A2	A3	B1	B2	B3	B4	C1	C2	E1	E2	E3	F1	F2	F3	H1	H2	K	L	M		N	P	ØS1	S2	ØSS (BAR)	RATING (BAR)	ØSD	RATING (BAR)
RLCB	RLGB-631	75	595	316	83	120	83	120	12	8	30	28	32	127	545	372	130	272	44	1530	1255	850	113	15	15	100		100		105
RLCB	RLGB-671	80	803	475	100	150	100	150	16	10	33	36	35	148	732	547	150	330	63	1880	1521	950	135	19	19	125		125		240
RLCB	RLGB-711	112	1038	628	130	200	130	200	20	12	48	46	48	188	982	720	190	400	80	2454	2059	1250	180	23	23	200		200		350

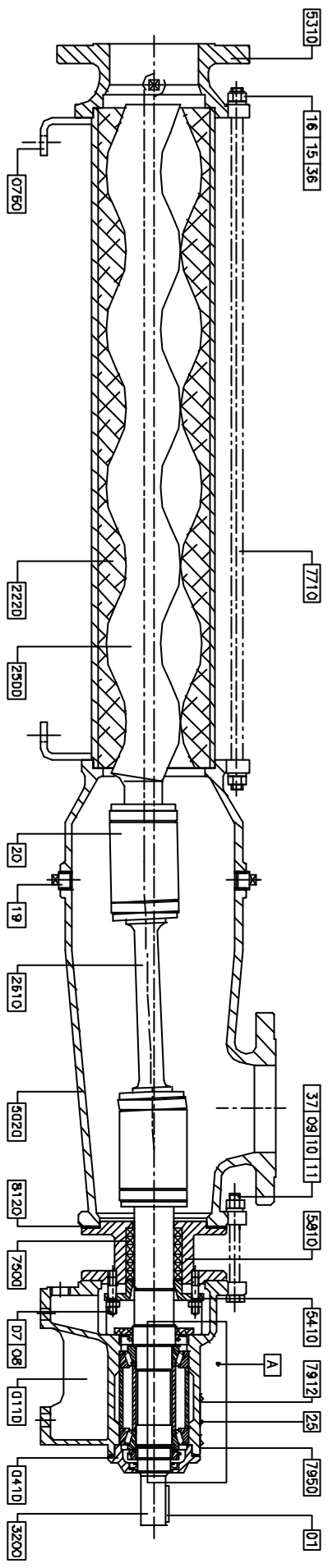
NOTE :-

FLANGE DIMENSIONS ARE AS PER BS: 4504, 16 BAR



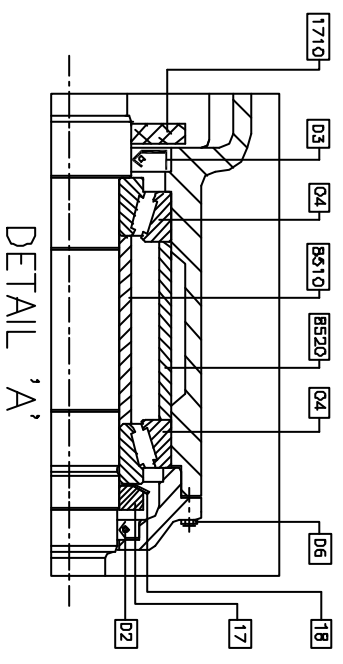
CROSS SECTIONAL DRAWING OF RLAB- 631 PUMP

DRG. NO.
CS-37-001-00



* NOT SHOWN IN THE DRAWING.

8520	BEARING SPACER (EXTERNAL)	01			
8510	BEARING SPACER (INNER)	01	37	PUNCHED WASHER (FOR PART NO. 10)	04
8120	STUFFING BOX GASKET	01	36	PUNCHED WASHER (FOR PART NO. 15)	12
7950	NAME PLATE (ROTATIONAL)	01	25	DRIVE SCREW (FOR PART NO. 7912 & 7950)	06
7912	NAME PLATE	01	20	UNIVERSAL JOINT	02
7710	TIE ROD	04	19	TAPER PLUG	03
7620	GLAND GUARD	02	18	LOCKING WASHER	01
7500	GLAND PACKING	06	17	BEARING LOCK NUT	01
5810	STUFFING BOX	01	16	SPRING WASHER (FOR PART NO. 15)	12
5410	GLAND	01	15	HEX. NUT (FOR PART NO. 7710 & 0760)	12
5310	STRAIGHT THROUGH END COVER	01	11	SPRING WASHER (FOR PART NO. 10)	04
5020	PUMP HOUSING WITH INSPECTION WINDOW	01	10	HEX. NUT (FOR PART NO. 09)	04
3200	SHAFT	01	09	HEX. HD. BOLT (FOR PART NO. 0110 & 5020)	04
2610	COUPLING ROD	01	08	HEX NUT (FOR PART NO. 07)	02
2500	ROTOR	01	07	STUD (FOR PART NO. 5410 & 5810)	02
2220	BONDED STATOR	01	06	HEX. HD. SCREW (FOR PART NO. 0410)	04
1710	WATER THROWER	01	04	TAPER ROLLER BEARING	02
0760	FOOT	02	03	GREASE SEAL (FOR PART NO. 0110)	01
0410	BEARING COVER	01	02	GREASE SEAL (FOR PART NO. 0410)	01
0110	BEARING HOUSING	01	01	PARALLEL KEY (FOR PART NO. 3200)	01
PART NO.	NOMENCLATURE	NO. OFF	PART NO.	NOMENCLATURE	NO. OFF



DETAIL 'A'



ROTO PUMPS PERFORMANCE CURVE

Model—L 671

Graph No.RS-372-02

STARTING TORQUE : 414.9 Nm

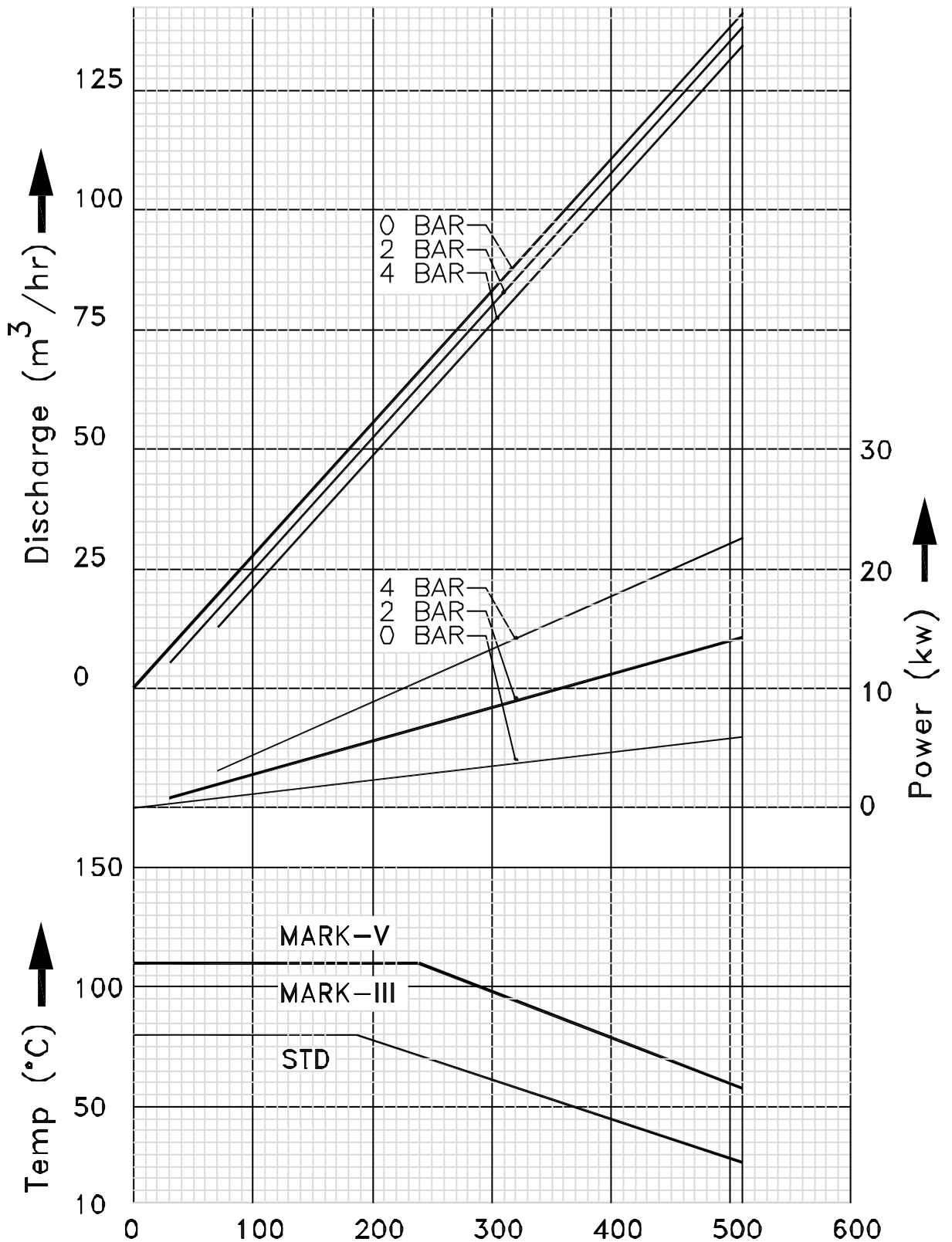
STATOR HARDNESS : 70°Shore

Tested on water at 30°C for RA & RR stator

Solid handling capacity

Soft & Compressible 68 mm

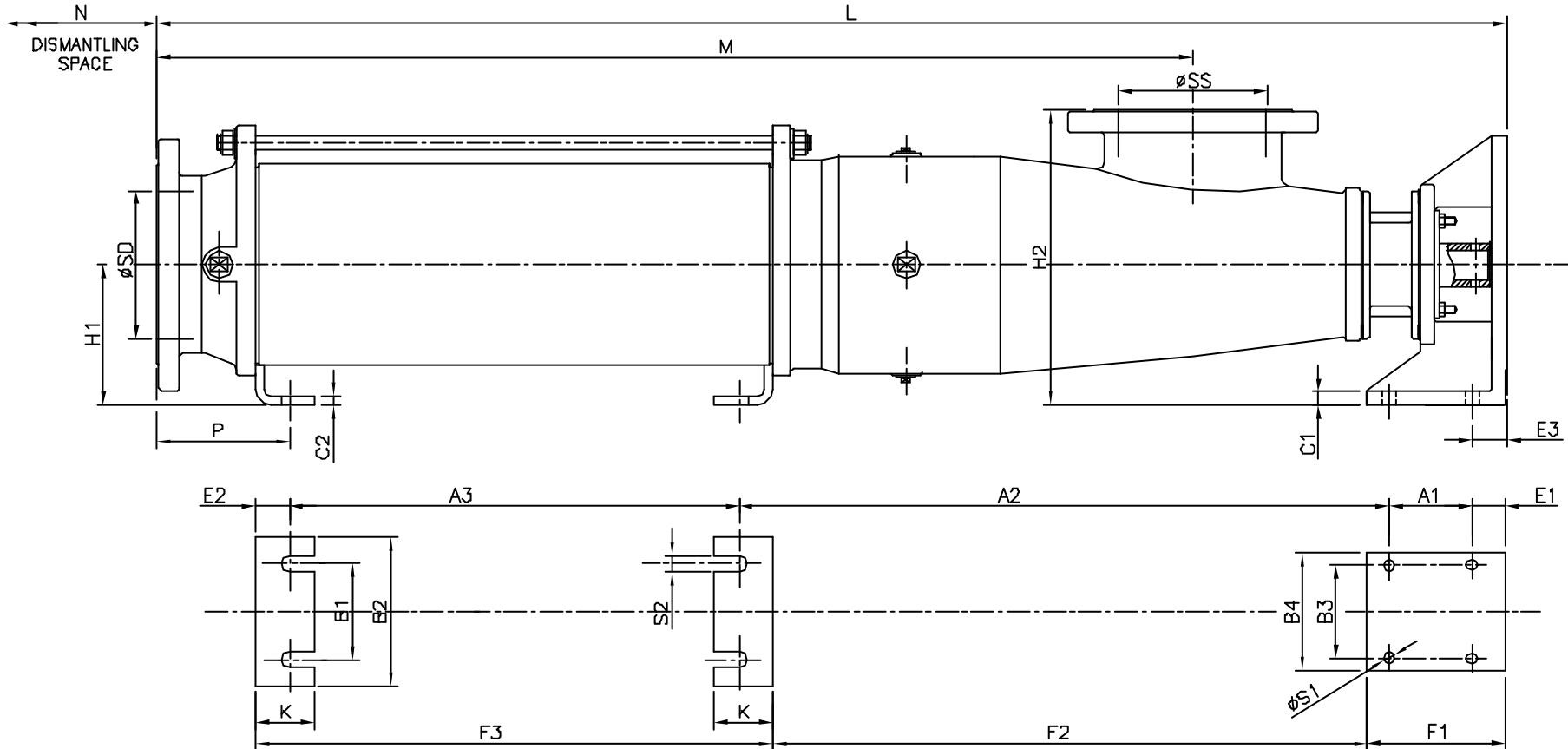
Hard & Angular 17 mm





DIMENSIONAL DRAWING OF RLCB/RLGB SERIES PUMPS

DRG. NO.
DD-36-001-00



TYPE AND SIZE OF PUMP	BASIC DIMENSIONS																			FLANGE DIMENSIONS.				wt.(Kg) approx.					
	A1	A2	A3	B1	B2	B3	B4	C1	C2	E1	E2	E3	F1	F2	F3	H1	H2	K	L	M	N	P	ØS1		S2	ØSS	RATING (BAR)	ØSD	RATING (BAR)
RLCB\ RLGB-631	75	595	316	83	120	83	120	12	8	30	28	32	127	545	372	130	272	44	1530	1255	850	113	15	15	100		100		105
RLCB\ RLGB-671	80	803	475	100	150	100	150	16	10	33	36	35	148	732	547	150	330	63	1880	1521	950	135	19	19	125		125		240
RLCB\ RLGB-711	112	1038	628	130	200	130	200	20	12	46	46	48	188	962	720	190	400	80	2454	2059	1250	180	23	23	200		200		350

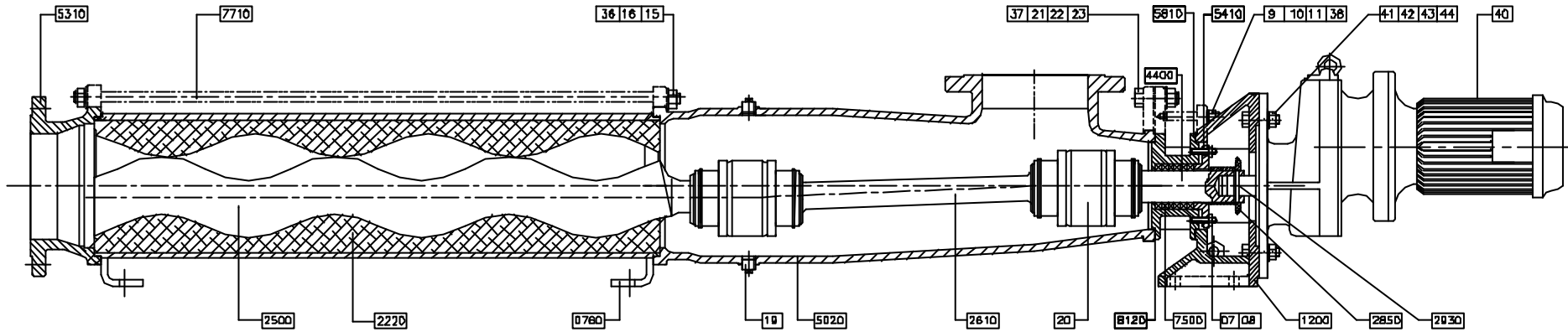
NOTE :-

FLANGE DIMENSIONS ARE AS PER BS: 4504, 16 BAR



CROSS SECTIONAL DRAWING OF RLCB/RLGB-671 PUMP

DRG. NO.
CS-36-002-00



* NOT SHOWN IN THE DRAWING

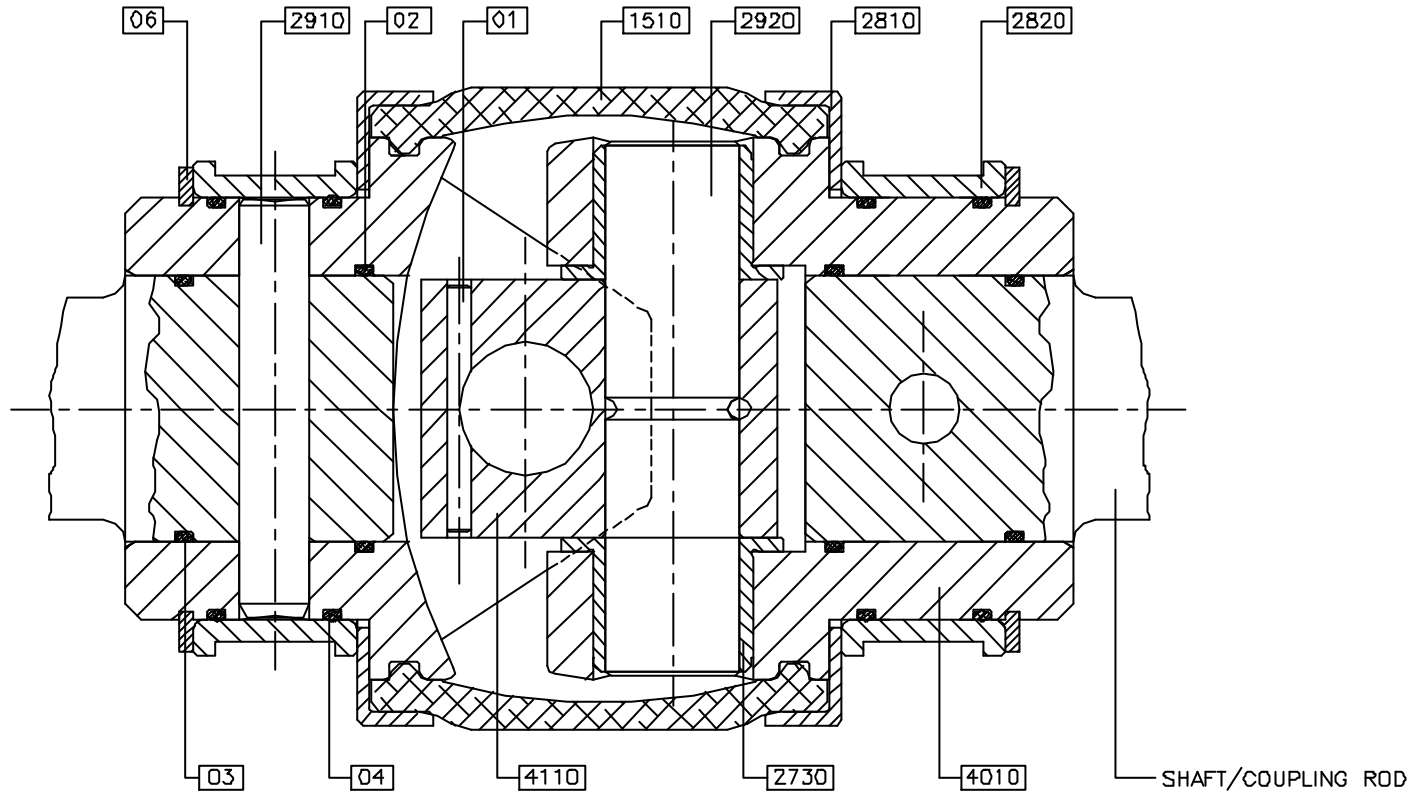
R010-31\A\NEW TECH. BINDER\CS-36-002.DWG

44	PUNCHED WASHER (FOR PART NO. 41)	04			
43	SPRING WASHER (FOR PART NO. 41)	04	42	HEX NUT (FOR PART NO. 41)	04
8120	STUFFING BOX GASKET	01	41	STUD/HEX. HD. BOLT (FOR PART NO. 1200 & 40)	04
*7960	NAME PLATE	01	40	GEARED MOTOR	01
*7950	NAME PLATE (ROTATIONAL)	01	38	PUNCHED WASHER (FOR PART NO. 9)	04
7710	TIE ROD	04	37	PUNCHED WASHER (FOR PART NO. 21)	04
*7620	GLAND GUARD	02	36	PUNCHED WASHER (FOR PART NO. 15)	12
7500	GLAND PACKING	06	*25	DRIVE SCREW (FOR PART NO. 7960 & 7950)	06
5810	STUFFING BOX	01	23	SPRING WASHER (FOR PART NO. 21)	04
5410	GLAND	01	22	HEX. NUT (FOR PART NO. 21)	04
5310	STRAIGHT THROUGH END COVER	01	21	HEX. HD. BOLT (FOR PART NO. 5810&5020)	04
5020	PUMP HOUSING WITH INSPECTION WINDOW	01	20	UNIVERSAL JOINT	02
4400	STUB SHAFT	01	19	TAPER PLUG	03
2930	DOWEL PIN	01	16	SPRING WASHER (FOR PART NO. 15)	12
2850	PIN RETAINER	01	15	HEX. NUT (FOR PART NO. 7710&0760)	12
2610	COUPLING ROD	01	11	SPRING WASHER (FOR PART NO. 10)	04
2500	ROTOR	01	10	HEX. NUT (FOR PART NO. 09)	04
2220	BONDED STATOR	01	09	HEX HD. BOLT (FOR PART NO. 1200 & 5020)	04
1200	PUMP LANTERN	01	08	HEX NUT (FOR PART NO. 07)	02
0760	FOOT	02	07	STUD (FOR PART NO. 5410 & 5810)	02
PART NO.	NOMENCLATURE	NO. OFF	PART NO.	NOMENCLATURE	NO. OFF



CROSS SECTIONAL DRAWING OF UNIVERSAL JOINT FOR SIZES RUJA-022/030/038

DRG. NO.
CS-22-001-02



4010	U J. HEAD	02			
2920	U.J. PIN	02	06	EXTERNAL CIRCLIP	02
2910	C/ROD PIN	02	04	'O' RING	04
2820	PIN RETAINER SLEEVE	02	03	'O' RING	02
2810	BOOT SEAL RETAINER	02	02	'O' RING	02
2730	U.J. BUSH	04	01	SPRING PIN	02
1510	BOOT SEAL	01	4110	U J BLOCK	01
SEQ. NO	DESCRIPTION	NO. OFF	SEQ. NO	DESCRIPTION	NO. OFF