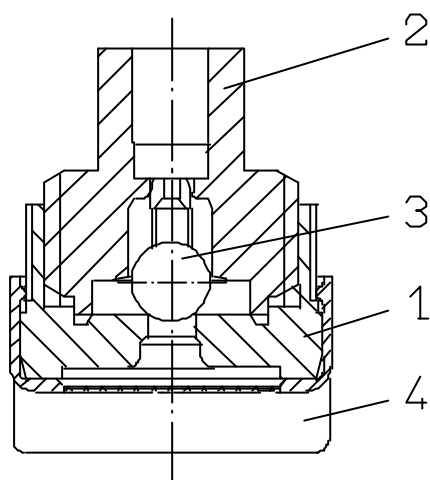
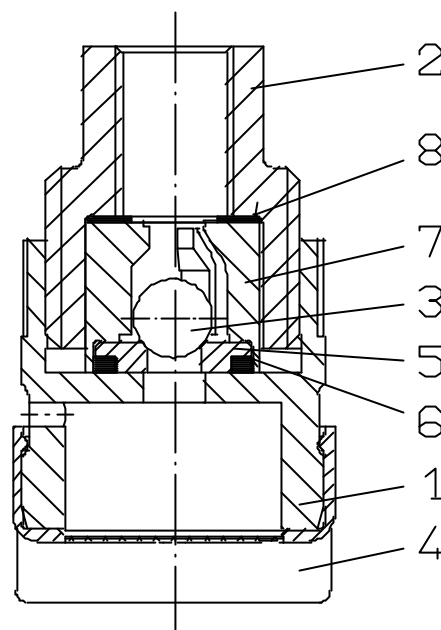


Foot valves DN 4



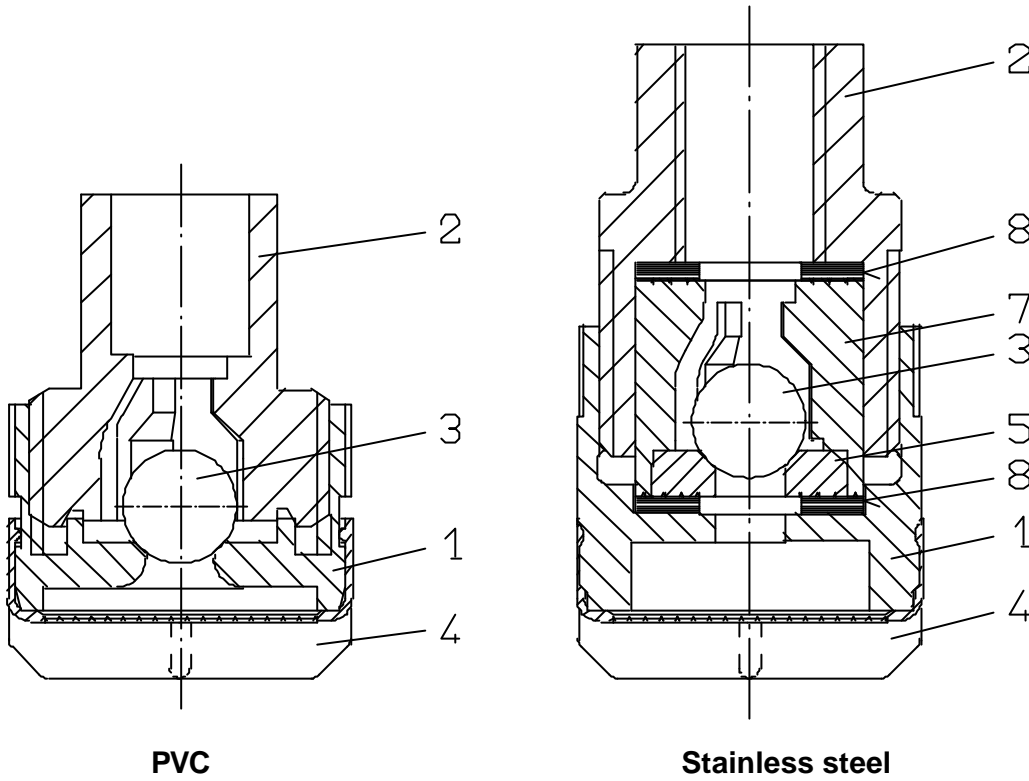
PVC



Stainless steel

Item	Description	Part No.	Material	Valve assembly	
				Plastic	Stainless steel
				12224380	12224384
1	Valve housing - lower part	27637	PVC	1	---
		24386	1.4571	---	1
2	Valve housing - upper part	27638	PVC	1	---
		24387	1.4571	---	1
3	Ball Ø 6.35	29778	Glass	1	---
		18044	1.4401	---	1
4	Filter cap	27545	PE	1	1
5	Valve seat	81460	PVDF	---	1
6	O-ring	80013	Viton	---	1
7	Ball guide	19293	1.4581	---	1
8	Gasket	81526	Viton	---	1

Foot valves DN 6



Item	Description	Part No.	Material	Valve assembly	
				Plastic	Stainless steel
				12224397	12224398
1	Valve housing - lower part	29073	PVC	1	---
		24400	1.4571	---	1
2	Valve housing - upper part	29072	PVC	1	---
		24401	1.4571	---	1
3	Ball Ø10	10017	KER 221	1	---
		10136	1.4401	---	1
4	Filter cap	29074	PE	1	1
5	Valve seat	82103	1.4571	---	1
7	Ball guide	82102	1.4581	---	1
8	Gasket	81037	Hypalon	---	2

Suction Line SH

Rigid PVC Suction Line with Foot Valve

Nominal size: DN10 (200 l/h\*), DN15 (400 l/h\*), DN25 (1000 l/h\*)

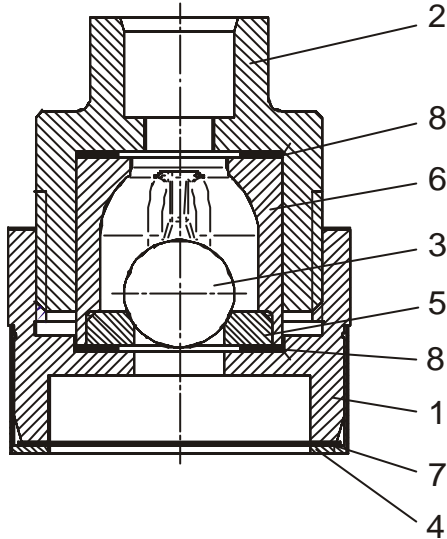
DN	suction connection	length	material	Part No.
10	hose liner Ø9	540 max.	PVC / FPM	12200354
	hose liner Ø9	750 max.	PVC / FPM	12200355
	hose liner Ø9	800 max.	PVC / FPM	12200356
	hose liner Ø9	1200 max.	PVC / FPM	12200357
	tube Ø16	1400 max.	PVC / FPM	12200358
	tube Ø16	1600 max.	PVC / FPM	12200250
15	hose liner Ø16	540 max.	PVC / CSM	12200359
	hose liner Ø16	750 max.	PVC / CSM	12200360
	hose liner Ø16	800 max.	PVC / CSM	12200361
	hose liner Ø16	1000 max.	PVC / CSM	12200362
	hose liner Ø16	1200 max.	PVC / CSM	12200363
	hose liner Ø16	1400 max.	PVC / CSM	12200364
	tube Ø20	1500 max.	PVC / CSM	12200001
	tube Ø20	2000 max.	PVC / CSM	12200331
25	hose liner Ø25	1125	PVC / CSM	12200365

are always reserved without notice.

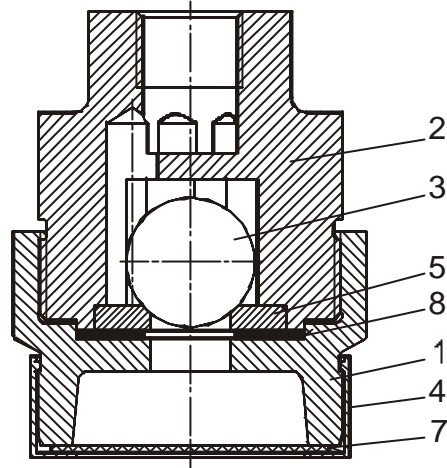
TECHNIK GmbH & Co. KG

\*) Nominal size of dosing pump

Foot valves DN 10 and DN 15



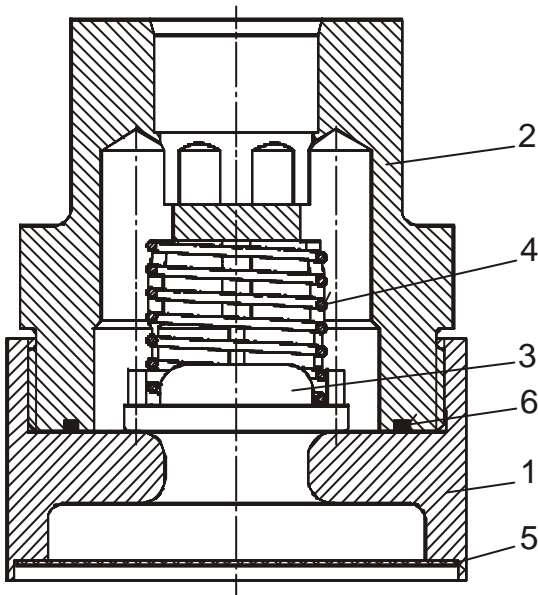
DN 10



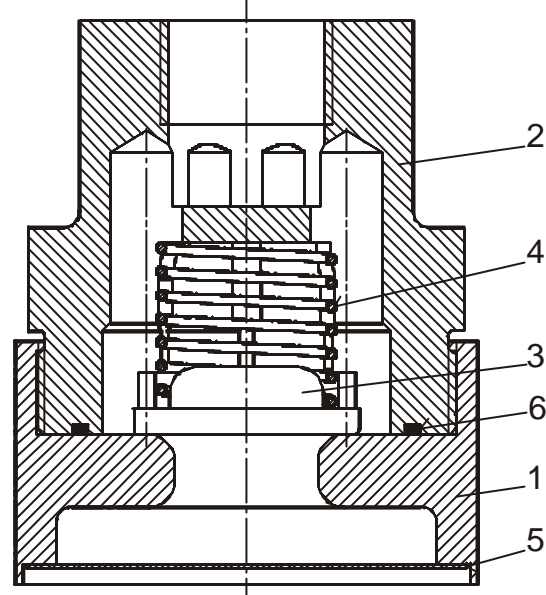
DN 15

Item	Description	Part No.	Material	Valve assembly				
				DN 10		DN 15		
				PVC 12224411	1.4571 12224412	PVC 12224435	1.4571 12224436	
1	Valve housing - lower part	24474	PVC	1	---	---	---	
		24415	1.4571	---	1	---	---	
		24447	PVC	---	---	1	---	
		24448	1.4571	---	---	---	1	
2	Valve housing - upper part	24416	PVC	1	---	---	---	
		24417	1.4571	---	1	---	---	
		24445	PVC	---	---	1	---	
		24446	1.4571	---	---	---	1	
3	Ball $\varnothing$ 16	82457	Glass	1	---	---	---	
		$\varnothing$ 16	82114	1.4401	---	1	---	
		$\varnothing$ 25	82460	Ceramic	---	---	1	---
		$\varnothing$ 25	24442	1.4401	---	---	---	1
4	Filter cap	25135	PE	1	1	---	---	
		25154	PE	---	---	1	1	
5	Valve seat	82456	PP	1	---	---	---	
		82113	1.4571	---	1	---	---	
		24439	PVC	---	---	1	---	
		24440	1.4571	---	---	---	1	
6	Ball guide	82455	PVC	1	---	---	---	
		82112	1.4581	---	1	---	---	
7	Filter plate	25100	PE	1	---	---	---	
		25101	1.4301	---	1	---	---	
		25102	PE	---	---	1	---	
		25103	1.4571	---	---	---	1	
8	Gasket	81238	Hypalon	2	2	---	---	
		81489	Hypalon	---	---	1	1	

Foot valve DN 25



Plastic



Stainless steel

Item	Description	Part No.	Material	Valve assembly	
				Plastic	Stainless steel
1	Valve housing - lower part	24426	PVC	1	-
		24427	1.4571	-	1
2	Valve housing - upper part	24428	PVC	1	-
		24429	1.4571	-	1
3	Valve disk	34464	PVC	1	-
		34467	1.4571	-	1
4	Pressure spring	25217	Hastelloy	1	1
5	Filter plate	24432	PE	1	-
		24433	1.4571	-	1
6	O-ring	80102	EPDM	1	1