

WESAN WPV 228

HYDROMETER

BULK WATER METER | WOLTMAN



APPLICATION

Meter for measuring heavily fluctuating flow rates.

FEATURES

- ▶ Calibratable and exchangeable measuring insert in one unit, suitable for calibration comprising: measuring insert as main meter, switch-over valve, measuring capsule as bypass meter
- ▶ Installation: horizontal, rising pipe, downpipe, 90° tilted
- ▶ Ideal design of housing and housing cover prevents sedimentation, stagnant water and air pockets
- ▶ Bypass line integrated in housing cover. No risk of sedimentation or corrosion.
- ▶ No measuring errors in the switch-over range
- ▶ Measuring capsule as bypass meter and non-return valve easily replaced on site
- ▶ Good long-term measuring accuracy
- ▶ Complete head unit with counter and sensors can be rotated by 350° for easier reading
- ▶ Main meter and bypass meter are prepared for connection of two reed switch and one opto transmitter
- ▶ In order to secure a safe switch-over the WESAN WPV needs a minimum ingoing pressure of 0.6 bar

WESAN WPV 228

BULK WATER METER | WOLTMAN

GENERAL

WESAN WPV 228		
Medium temperature range	°C	0 ... 30
Temperature safety	°C	0 ... 50
Ambient operating temperature	°C	0 ... 55
Ambient storage temperature	°C	0 ... 55
Nominal pressure	PN bar	16*
Display range		0.05 l ... 999,999 m ³
Approval		National 6.152 / 98.14
Metrological class		B
Protection class		IP 65

* See also special versions.

TECHNICAL DATA

Nominal diameter	DN	mm	50	80	100
Nominal flow rate (DIN ISO 4064)	Q _n	m ³ /h	15	40	60
Permissible continuous load (HY)	Q _n	m ³ /h	35	120	230
Maximum flow rate (short-term)	Q _{max}	m ³ /h	90	200	300
Transition flow rate	Q _t	m ³ /h	0.0375	0.0375	0.0375
Minimum flow rate	Q _{min}	m ³ /h	0.02	0.02	0.02
Starting flow rate		l/h	15	15	15
Nominal flow rate bypass meter	Q _n	m ³ /h	2.5	2.5	2.5
Switch-over flow rate rising		m ³ /h	2.2	2.3	2.3
Switch-over flow rate falling		m ³ /h	1	1.5	1.5

PULSE OUTPUTS

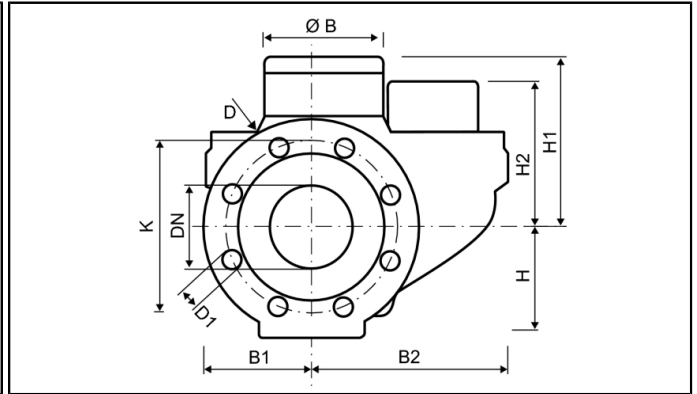
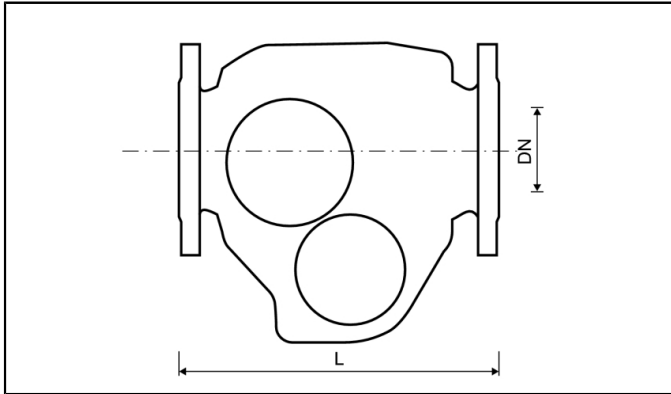
WESAN WPV 228	
Main meter - reed switch 570*	l/pulse 100 / 1000
Main meter - IR pulse transmitter 573*	l/pulse 1
Bypass meter - reed switch 570*	l/pulse 100 / 1000
Bypass meter - pulse transmitter 571*	l/pulse 0.1

* For more information about reed switch 570, pulse transmitter 571 and IR pulse transmitter 573 please have a look at the specific datasheet.

WESAN WPV 228

BULK WATER METER | WOLTMAN

DIMENSIONS



Nominal diameter	DN	mm	50	80	100
Overall length (DIN 19625)	L	mm	270	300	360
Overall length (DIN ISO 4064)	L	mm	-	300	350
Flange diameter	D	mm	165	200	220
Hole circle diameter	K	mm	125	160	180
Number of screwholes		pcs	4	8 / 4	8
Screw hole diameter	D1	mm	18	18	18
Height	H	mm	75	101	101
Height	H1	mm	130	140	140
Height	H2	mm	136	146	146
Height to remove measuring insert		mm	245	280	280
Width	B1	mm	85	100	110
Width	B2	mm	160	180	180
Diameter	Ø B	mm	110	110	110
Weight of complete meter		kg	17.4	25.5	29
Weight of measuring insert		kg	6.3	9.3	9.3

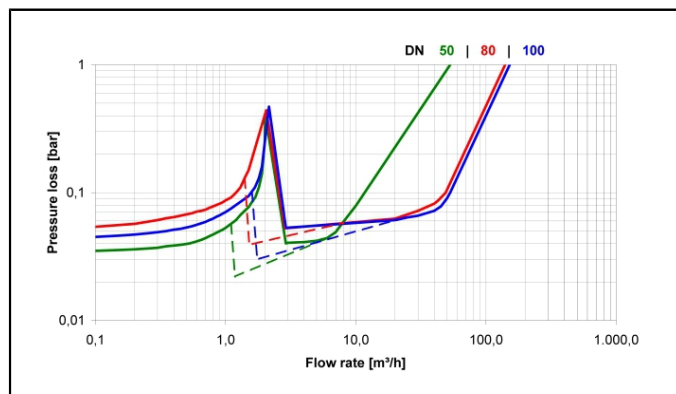
SPECIAL VERSIONS

- Versions with different nominal pressure on request
- Special flange holes
- Integrated pulse outputs for remote reading and flow rate measurement
- Main meter and bypass meter with electronic counter module
- Other types as bypass meter (electronic counter module with M-Bus)

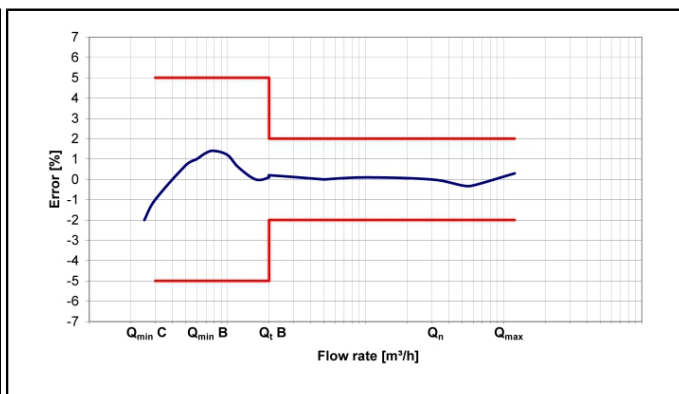
WESAN WPV 228

BULK WATER METER | WOLTMAN

PRESSURE LOSS GRAPH / TYPICAL ERROR GRAPH



Pressure loss graph



Typical error graph

HYDROMETER

HYDROMETER GmbH · Postfach 1462 · 91505 Ansbach
Tel. +49 981 1806-0 · Fax: +49 981 1806-615 · info@hydrometer.de · www.hydrometer.de
Subject to technical adjustments

 smart in solutions