



ROTO PUMPS PERFORMANCE CURVE

Model-M 584

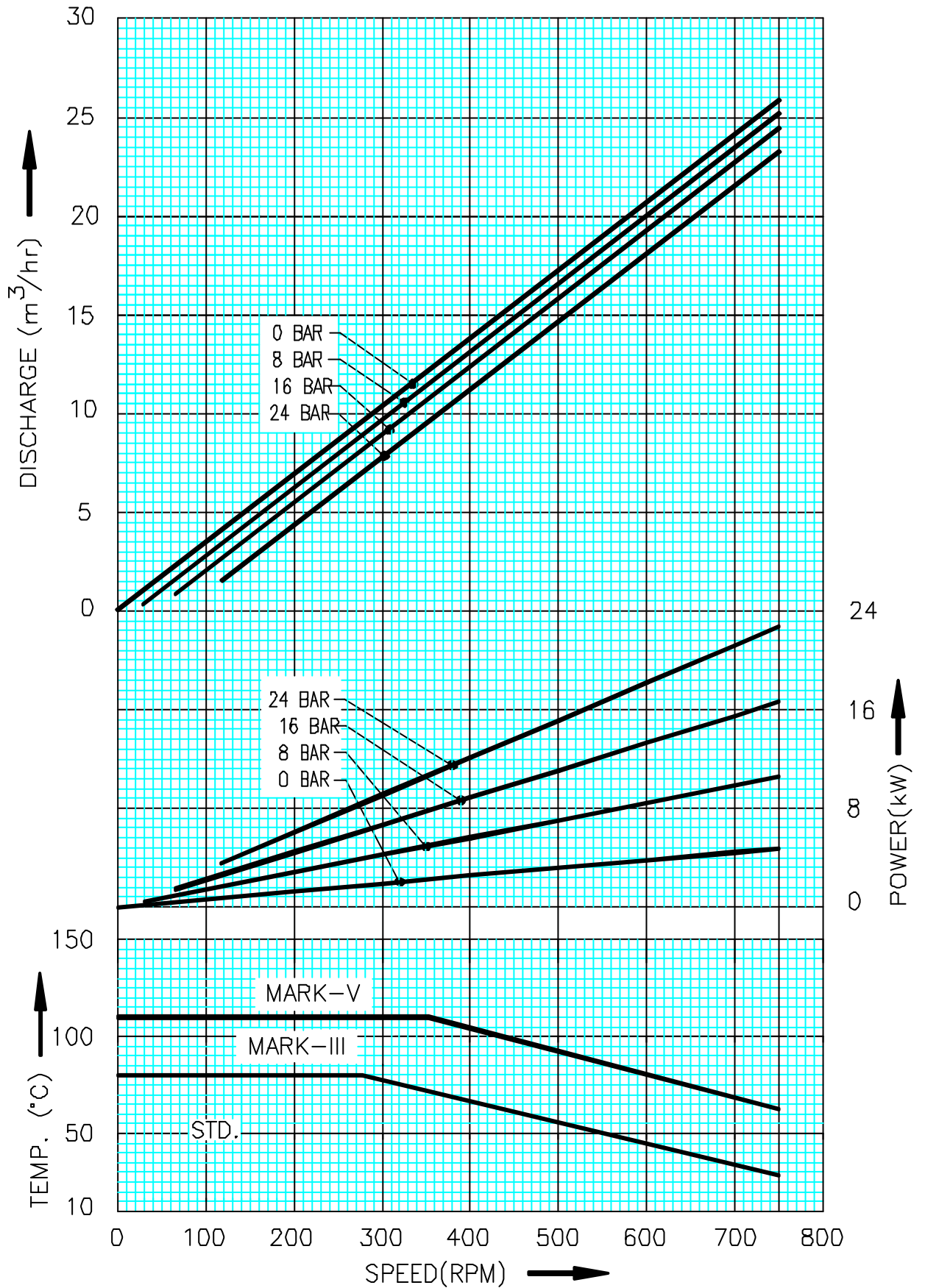
Graph No.RS-256-01

STARTING TORQUE : 206.8 Nm

STATOR HARDNESS : 70°Share

Tested on water at 30°C for RA & RR stator

Solid handling capacity
Soft & Compressible 40 mm
Hard & Angular 10 mm

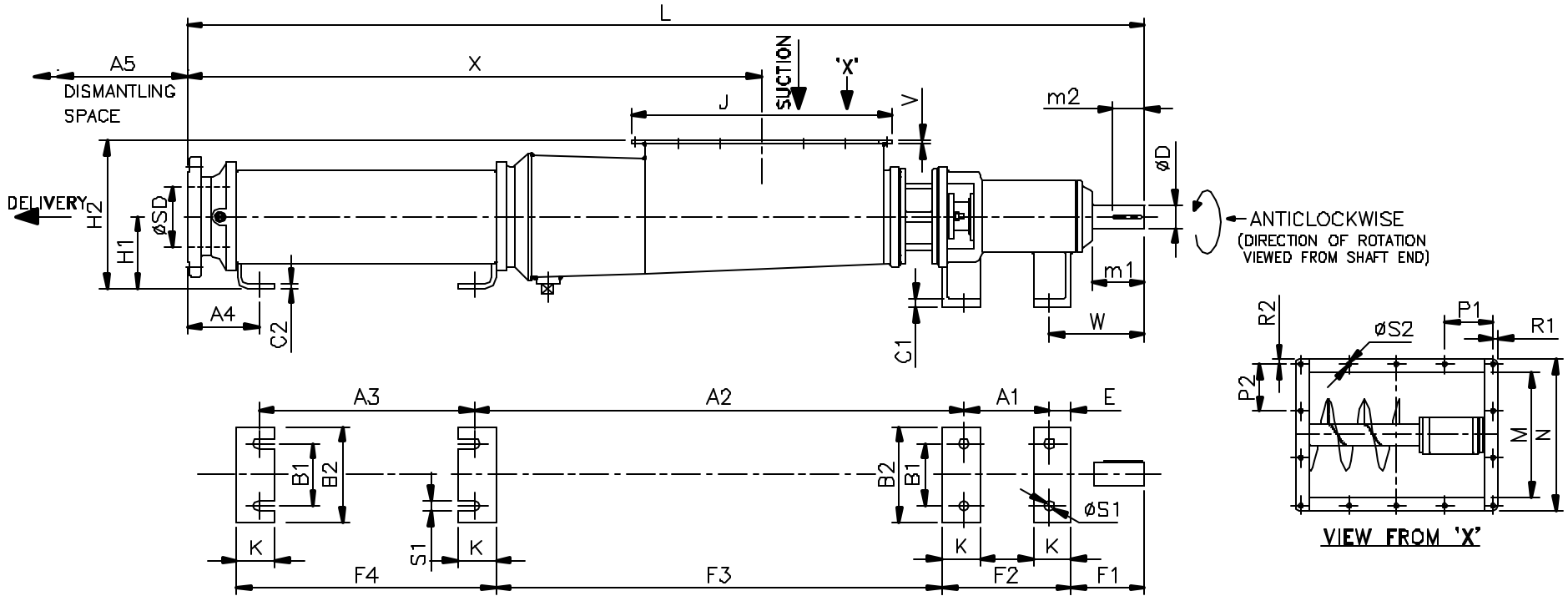


NOTE:- FOR FLUID TEMPERATURE BELOW 10°C REFER TO ROTO



DIMENSIONAL DRAWING OF WMAA SERIES PUMP

DRG. NO.
DD-28-001-05



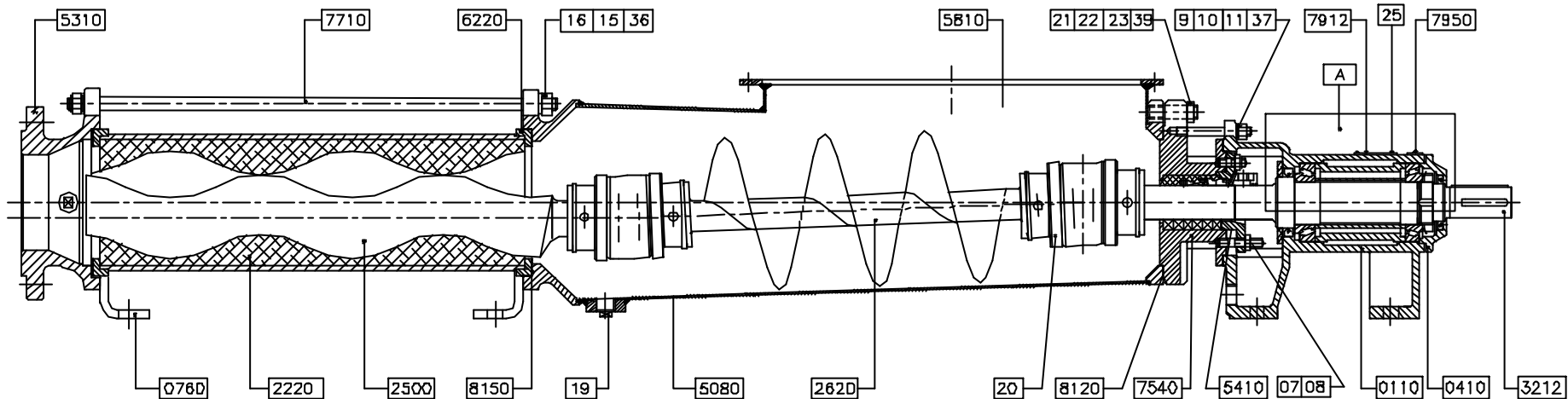
TYPE AND SIZE OF PUMP	BASIC DIMENSIONS														HOPPER DIMENSIONS										FLANGE DIMS.		SHAFT EXTENSION			WEIGHT IN Kg.									
	A1	A2	A3	A4	A5	B1	B2	C1	C2	E	F1	F2	F3	F4	H1	H2	K	L	W	X	ØS1	J	M	N	P1	P2	R1	R2	S2		V	SD	DELIVERY FLANGE	ØD	m1	m2			
WMAA-581	122	772	284	113	660	83	120	12	8	28	93	178	718	320	130	260	44	1338	121	847.5	15	428	280	318	101	98								#	28	61	40	-	
WMAA-601			320											376				1448		903.5														#				-	
WMAA-584			997	163	1200									1069				2313		1677															#				-
WMAA-582		771	583	121	670									655				1805		1168							11	11	14-Ø10	8	100		#				-		
WMAA-584			1155	174	1350									1227				2479		1843														#				-	
WMAA-602			708	121	810	100	150	16	10	36	120	248	899	781	150	310	83	1931	156	1295	19	382	283	349	90	108								#				-	
WMAA-603			1114	121	1210									1188				2336		1700															#				-
WMAA-621			408	135	840									478				1858		1138															#				-
WMAA-641		987	475											547				1927		1208		548	300	358	88	112	10	10	18-Ø10	125		#					-		
WMAA-604		962	808	178	1625									870	898	350		2925		2203		434	293	349	103	109			14-Ø10	100		#					-		
WMAA-681	178		628	180	1240	130	200	20	12	48	153	271	1318	720	180	400	80	2597	199	1657	23	858	388	454	138	108	11	11	20-Ø10	10	200	#	48	110	80		-		
WMAA-701		1411	675											787				2644		1704														#					-

AS PER BS 4504, 16 BAR
Ø AS PER BS: 4504, 25 BAR.

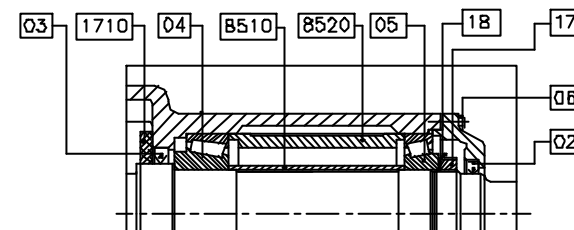


CROSS SECTIONAL DRAWING OF WMAA-582/621/681 PUMP

DRG. NO.
CS-28-003-01



			39	PLAIN WASHER (FOR PART NO 22)	04
			37	PLAIN WASHER (FOR PART NO 10)	04
8520	BEARING SPACER (EXTERNAL)	01	36	PLAIN WASHER (FOR PART NO 15)	12
8510	BEARING SPACER (INNER)	01	25	DRIVE SCREW (FOR PART NO. 7912& 7950)	06
8150	STATOR SUPPORT RING GASKET	02	23	SPRING WASHER (FOR PART NO. 22)	04
8120	STUFFING BOX GASKET	01	22	HEX. NUT (FOR PART NO. 21)	04
7950	NAME PLATE (ROTATIONAL)	01	21	STUD (FOR PART NO. 5080 & 5810)	04
7912	NAME PLATE	01	20	UNIVERSAL JOINT	02
7710	TIE ROD	04	19	TAPER PLUG	02
7620	GLAND GUARD (NOT SHOWN)	02	18	LOCKING WASHER	01
7540	GLAND PACKING	06	17	BEARING LOCK NUT	01
6220	STATOR SUPPORT RING	02	16	SPRING WASHER (FOR PART NO. 15)	12
5810	STUFFING BOX	01	15	HEX. NUT (FOR PART NO. 7710 & 0760)	12
5410	GLAND	01	11	SPRING WASHER (FOR PART NO. 10)	04
5310	STRAIGHT THROUGH END COVER	01	10	HEX. NUT (FOR PART NO. 09)	04
5080	BUCKET	01	09	STUD (FOR PART NO. 0110 & 5810)	04
3212	SHAFT	01	08	HEX. NUT (FOR PART NO. 07)	02
2620	AUGAR CUM COUPLING ROD	01	07	STUD (FOR PART NO. 5410 & 5810)	02
2500	ROTOR	01	06	HEX. HD. SCREW (FOR PART NO 0410)	04
2220	BONDED STATOR	01	05	TAPER ROLLER BEARING (SHAFT END)	01
1710	WATER THROWER	01	04	TAPER ROLLER BEARING (P/HSG END)	01
0760	FOOT	02	03	GREASE SEAL (FOR PART NO 0110)	01
0410	BEARING COVER	01	02	GREASE SEAL (FOR PART NO. 0410)	01
0110	BEARING HOUSING	01	01	PARALLEL KEY (FOR PART NO. 3212)	01
PART NO.	NOMENCLATURE	NO. OFF	PART NO.	NOMENCLATURE	NO. OFF

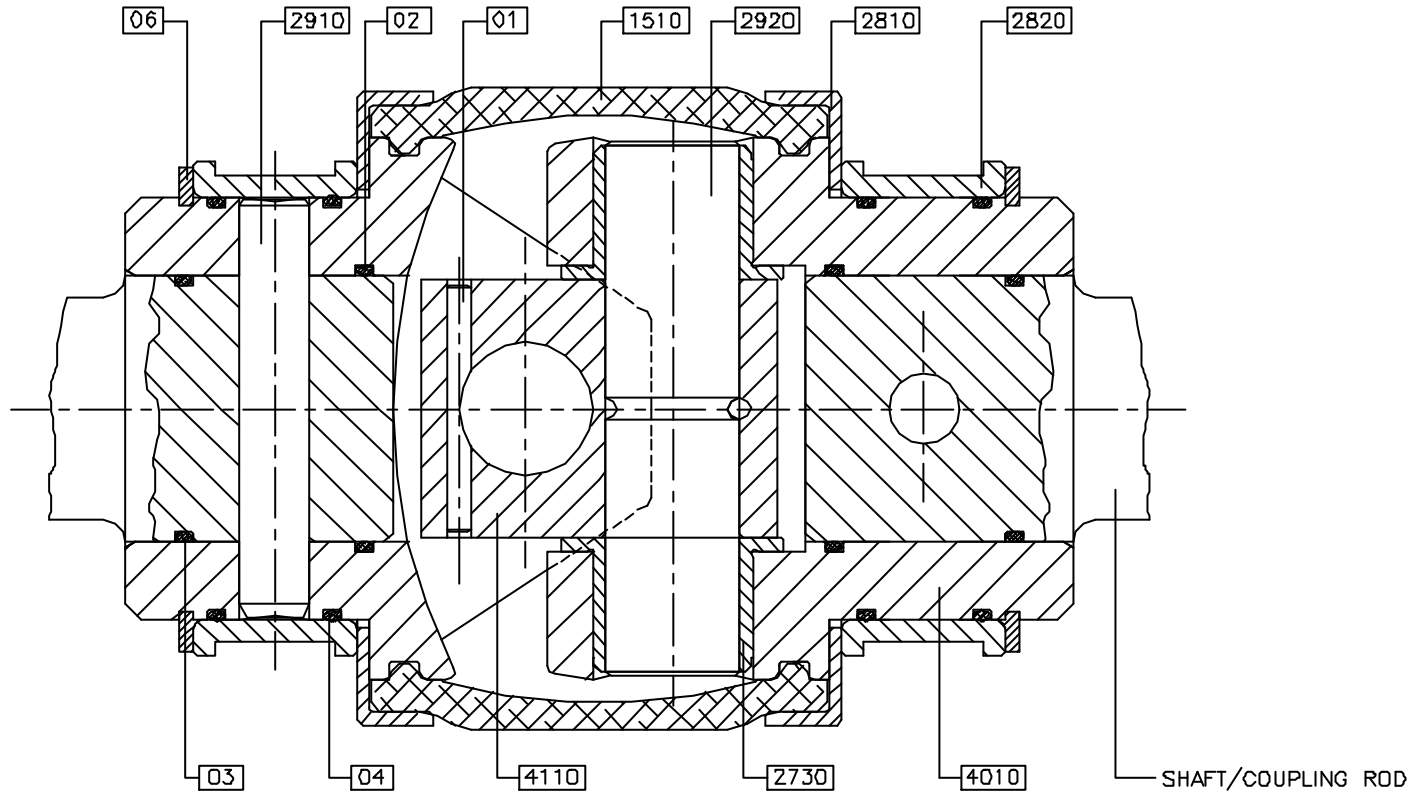


DETAIL 'A'



CROSS SECTIONAL DRAWING OF UNIVERSAL JOINT FOR SIZES RUJA-022/030/038

DRG. NO.
CS-22-001-02



4010	U J. HEAD	02			
2920	U.J. PIN	02	06	EXTERNAL CIRCLIP	02
2910	C/ROD PIN	02	04	'O' RING	04
2820	PIN RETAINER SLEEVE	02	03	'O' RING	02
2810	BOOT SEAL RETAINER	02	02	'O' RING	02
2730	U.J. BUSH	04	01	SPRING PIN	02
1510	BOOT SEAL	01	4110	U J BLOCK	01
SEQ. NO	DESCRIPTION	NO. OFF	SEQ. NO	DESCRIPTION	NO. OFF