



# ROTO PUMPS PERFORMANCE CURVE

Model-M 582

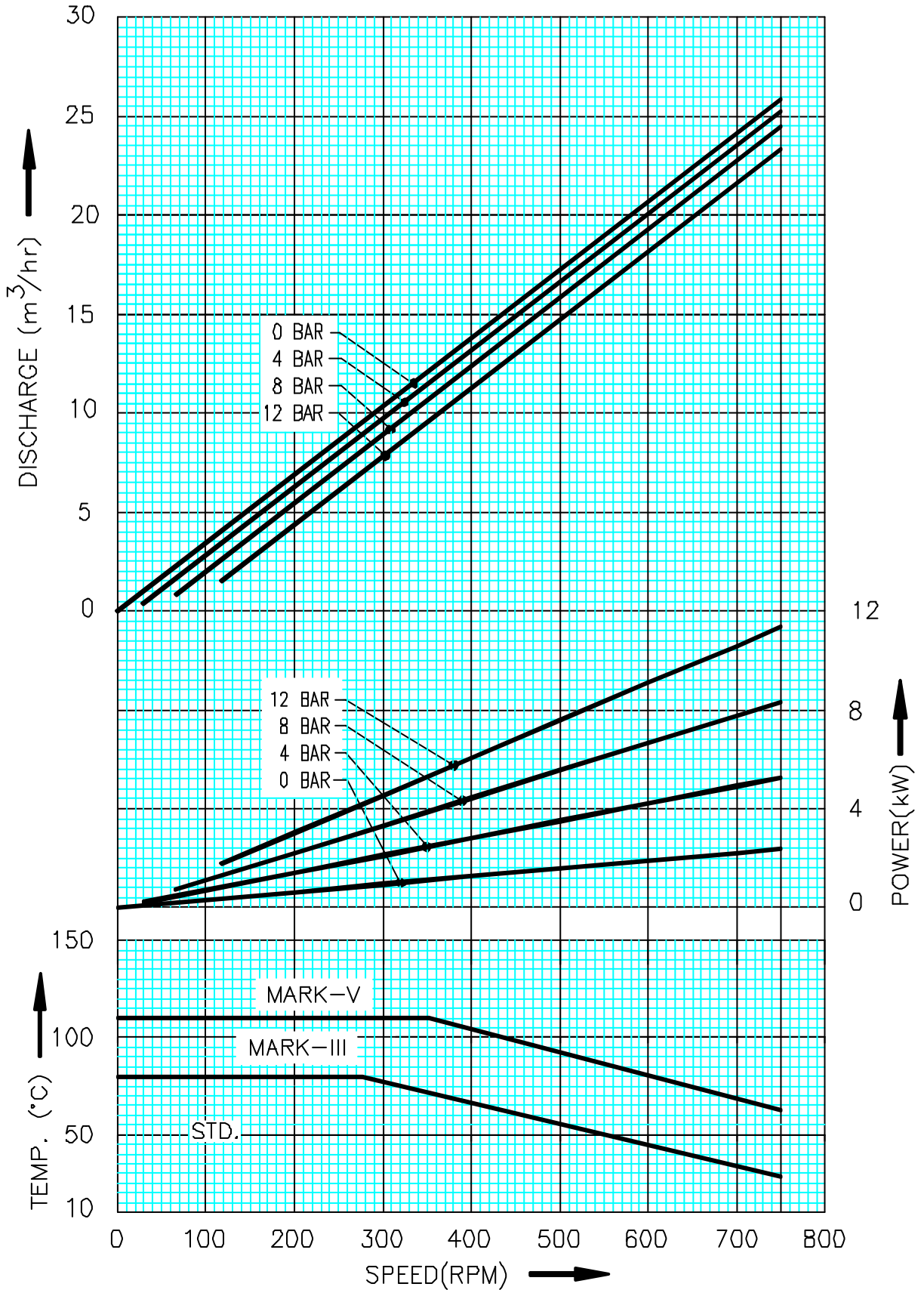
Graph No.RS-190-01

STARTING TORQUE : 103.4 Nm

STATOR HARDNESS : 70° Shore

Tested on water at 30°C for RA & RR stator

Solid handling capacity  
Soft & Compressible 40 mm  
Hard & Angular 10 mm

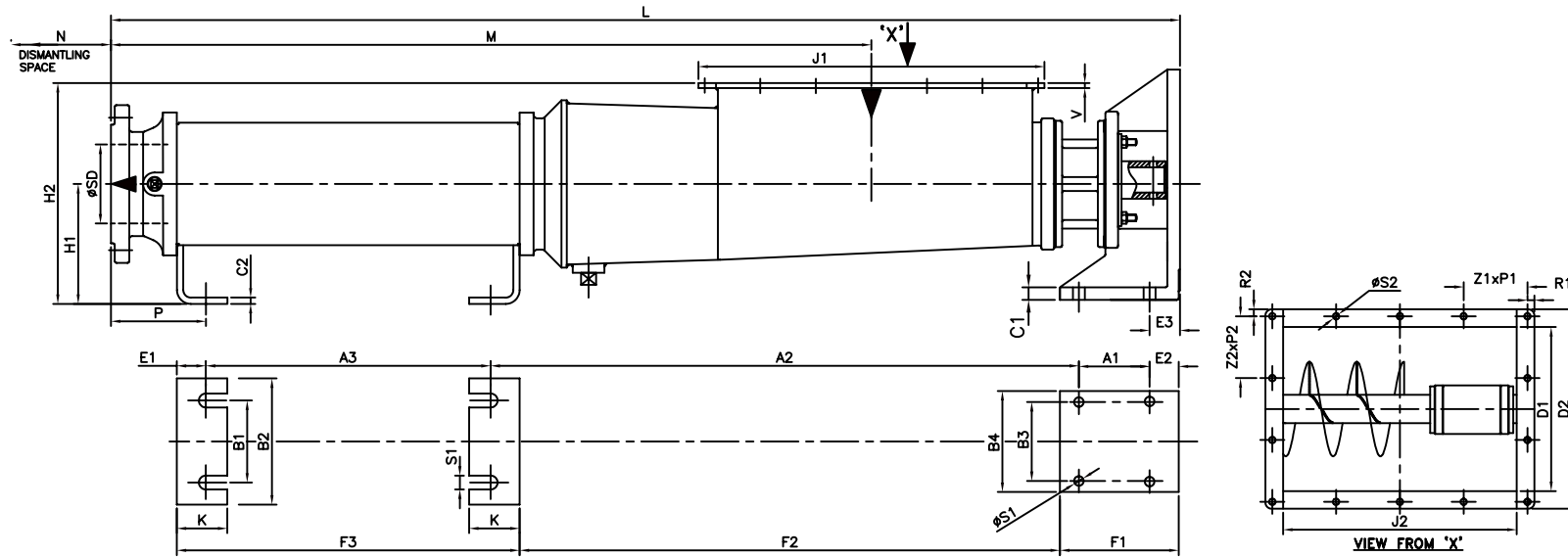


NOTE:- FOR FLUID TEMPERATURE BELOW 10°C REFER TO ROTO



# DIMENSIONAL DRAWING OF WMCA SERIES PUMP

DRG. NO.  
DD-28-005-01



TYPE AND SIZE OF PUMP	BASIC DIMENSIONS																	HOPPER DIMENSIONS								FLANGE DIMS.		Weight in Kgs.																																																																														
	A1	A2	A3	B1	B2	B3	B4	C1	C2	E1	E2	E3	F1	F2	F3	H1	H2	K	L	M	N	P	S1	J1	J2	D1	D2		Z1xP1	Z2xP2	R1	R2	øS2	V	SD	RATING (BAR)																																																																						
WMCA-542	75	626	433	83	120	125	160	12	8	28	30	32	127	576	489	130	260	44	1274	974	600	108	15	340	282	210	268	4x79.5	3x82	11	11	øS2	V	SD	#	Weight																																																																						
WMCA-562			509											565	1350				1050	655																	316	1185	844	700	113	426	370	260	316	4x101	3x98	65																																																										
WMCA-581		705	260											686	1071				2035	1675																	1200	162	19	121	143	160	180	1250	1704	400	2331	1704	1250	180	23	856	800	398	454	6x139	4x108	11	11	øS2	V	SD	#	Weight																																										
WMCA-601			316											372	1241				900	853																	547	1578																											1139	850	135	548	492	300	356	6x88	3x112	10	10	18-ø10	125																													
WMCA-564	80	757	999	100	150	130	200	16	10	36	33	35	148	686	1071	150	310	63	2035	1675	1200	162	19	548	492	300	356	6x88	3x112	10	10	18-ø10	125	#	Weight																																																																							
WMCA-582		709	579											638	651				1524	1165	670	121														23	160	180																											2331	1704	400	2331	1704	1250	180	23	856	800	398	454	6x139	4x108	11	11	øS2	V	SD	#	Weight																					
WMCA-584		756	1155											685	1227				2200	1841	1350	174																	23	160	180	2331	1704	400	2331	1704	1250	180	23	856	800	398	454	6x139	4x108	11	11	øS2	V	SD	#	Weight																																												
WMCA-602		709	705											638	777				1650	1291	810	23																																									160	180																						2331	1704	400	2331	1704	1250	180	23	856	800	398	454	6x139	4x108	11	11	øS2	V	SD	#	Weight
WMCA-603			1105											638	1177				2055	1691	1210																																																																																					
WMCA-621		924	406											853	478				1578	1139	850															23	160	180																											2331	1704	400	2331	1704	1250	180	23	856	800	398	454	6x139	4x108	11	11	øS2	V	SD	#	Weight																					
WMCA-641			475											853	547				1649	1207	850																		23	160	180	2331	1704	400	2331	1704	1250	180	23	856	800	398	454	6x139	4x108	11	11	øS2	V	SD	#	Weight																																												
WMCA-604		763	1411											687	1503				2512	2205	1625	23																																									160	180																						2331	1704	400	2331	1704	1250	180	23	856	800	398	454	6x139	4x108	11	11	øS2	V	SD	#	Weight
WMCA-622	1006	885	932	973	2194	1722	1000	23	160	180	2331	1704	400	2331	1704	1250	180	23	856	800	398		454	6x139	4x108	11	11	øS2	V	SD	#	Weight																																																																										
WMCA-642		1039	932	1127	2348	1876	1175																										23	160	180	2331	1704	400																											2331	1704	1250	180	23	856	800	398	454	6x139	4x108	11	11	øS2	V	SD	#	Weight																								
WMCA-661	1143	500	1067	592	1963	1422	1075																																23	160	180	2331	1704	400	2331	1704	1250	180	23	856	800	398	454	6x139	4x108	11	11	øS2	V	SD	#	Weight																																												
WMCA-662		1125	1067	1217	2588	2047	1275															23																																									160	180																			2331	1704	400	2331	1704	1250	180	23	856	800	398	454	6x139	4x108	11	11	øS2	V	SD	#	Weight			
WMCA-681	1316	628	1240	720	2284	1657	23	160	180	2331	1704	400	2331	1704	1250	180	23	856	800	398	454		6x139	4x108	11	11	øS2	V	SD	#	Weight																																																																											
WMCA-701		675	1240	767	2331	1704																										1250	23	160	180	2331	1704	400																											2331	1704	1250	180	23	856	800	398	454	6x139	4x108	11	11	øS2	V	SD	#	Weight																								

# FLANGE DIMENSIONS ARE AS PER BS :4504 FOR 16 BAR PRESSURE.  
\* FLANGE DIMENSIONS ARE AS PER BS :4504 FOR 25 BAR PRESSURE.

01	D-128-2005	SIZE WMCA-542,562 ADDED							
00	G-223-2005	NEW RELEASE	SKS	22.9.05	DATE	DRAWN	CHECKED	APPROVED	SHEET NO.
ALT NO.	ALT NOTE NO.	ALTERATION	SIGN	DATE	22.9.05	SJ		SKS	1

FILE LOCATION :- \\C-91\E\VOL.2.2\DIMENSIONAL DRAWING\WMCA\WMCA SERIES DD.dwg